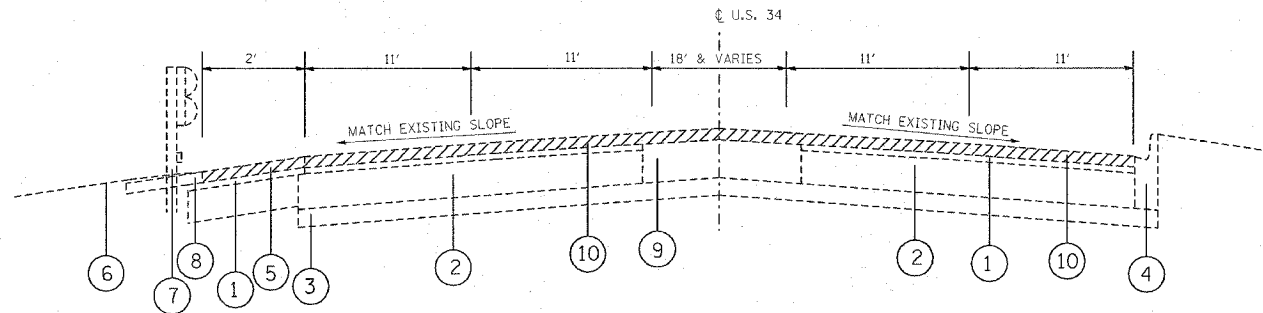


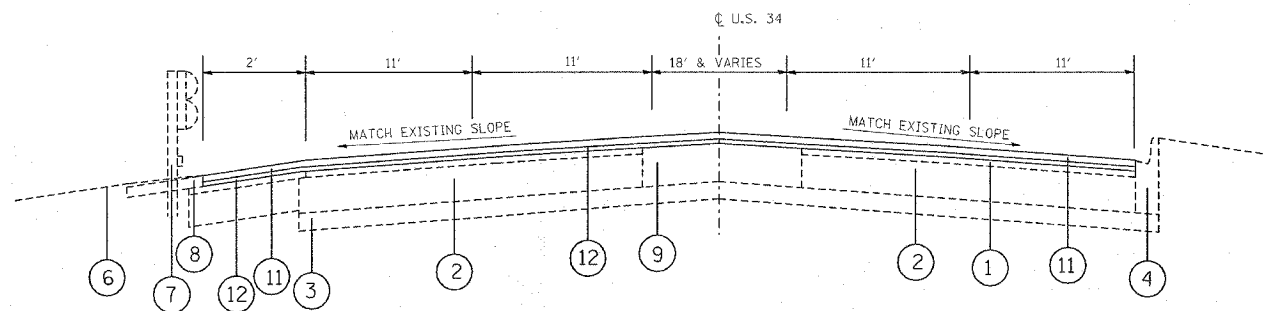
F.A.P. RTE.	SECTION	COUNTY	TOTAL SHEETS	SHEET NO.
311	8 Y-RS-3	COOK	28	7
STA.		TO STA.		
FED. ROAD DIST. NO. 1		ILLINOIS FED. AID PROJECT		
CONTRACT NO. 60C56				



EXISTING TYPICAL SECTION  
U.S. 34 (OGDEN AVE.).

STATION  
25+59 TO 30+90

- LEGEND
- ① EXISTING HOT-MIX ASPHALT SURFACE COURSE, 4"( $\pm$ )
  - ② EXISTING PCC BASE COURSE, 9"( $\pm$ )
  - ③ EXISTING SUB-BASE GRANULAR MATERIAL
  - ④ EXISTING COMBINATION CONC. CURB & GUTTER TYPE B6.12
  - ⑤ EXISTING HMA SHOULDER
  - ⑥ EXISTING AGGREGATE SHOULDER
  - ⑦ EXISTING STEEL GUARDRAIL
  - ⑧ EXISTING HMA STABILIZATION 6" BENEATH STEEL PLATE BEAMS GUARDRAIL
  - ⑨ EXISTING CORRUGATED MEDIAN
  - ⑩ HOT-MIX ASPHALT SURFACE REMOVAL - 2 1/2 "
  - ⑪ PROPOSED POLYMERIZED HOT-MIX ASPHALT SURFACE COURSE, MIX "F", N90, 1 3/4 "
  - ⑫ PROPOSED POLYMERIZED LEVELING BINDER (MM), IL-4.75, N50, 3/4 "



PROPOSED TYPICAL SECTION  
U.S. 34 (OGDEN AVE.).

STATION  
25+59 TO 30+90

REVISIONS	
NAME	DATE

ILLINOIS DEPARTMENT OF TRANSPORTATION  
  
U.S. 34  
EXISTING AND PROPOSED  
TYPICAL SECTIONS

SCALE: VERT.  
HORIZ.  
DATE

DRAWN BY  
CHECKED BY