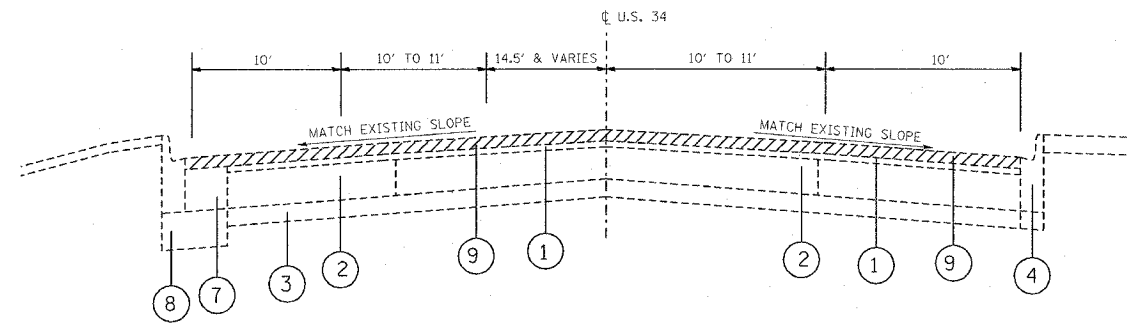


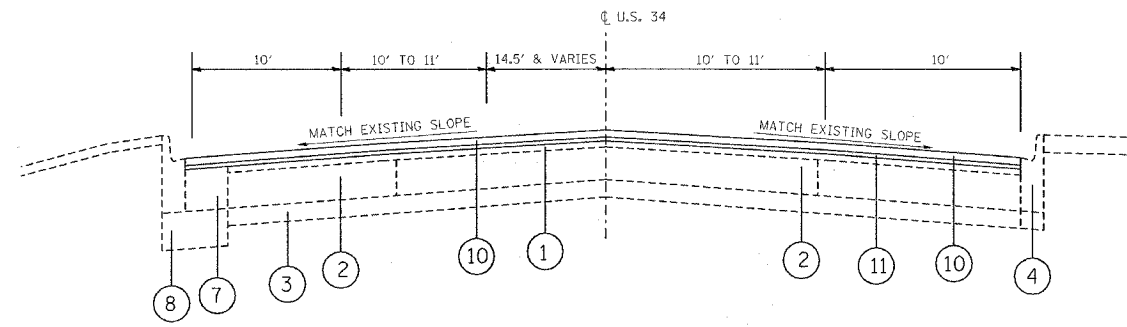
F.A.P. RTE.	SECTION	COUNTY	TOTAL SHEETS	SHEET NO.
311	8 Y-RS-3	COOK	28	10
STA.		TO STA.		
FED. ROAD DIST. NO. 1		ILLINOIS	FED. AID PROJECT	
CONTRACT NO. 60C56				



PROPOSED TYPICAL SECTION  
U.S. 34 (OGDEN AVE).  
STATION  
61+83 TO 70+05

LEGEND

- ① EXISTING HOT-MIX ASPHALT SURFACE COURSE, 4"(±)
- ② EXISTING PCC BASE COURSE, 9"(±)
- ③ EXISTING SUB-BASE GRANULAR MATERIAL
- ④ EXISTING COMBINATION CONC. CURB & GUTTER TYPE B6.12
- ⑤ EXISTING HMA SHOULDER
- ⑥ EXISTING P.C. CONC BASE COURSE
- ⑦ EXISTING HMA BINDER COURSE
- ⑧ EXISTING AGGREGATE SUBGRADE
- ⑨ HOT-MIX ASPHALT SURFACE REMOVAL - 2 1/2 "
- ⑩ PROPOSED POLYMERIZED HOT-MIX ASPHALT SURFACE COURSE, MIX "F", N90, 1 3/4 "
- ⑪ PROPOSED POLYMERIZED LEVELING BINDER (MM), IL-4.75, N50, 3/4 "



PROPOSED TYPICAL SECTION  
U.S. 34 (OGDEN AVE).  
STATION  
61+83 TO 70+05

PLOT DATE = 4/11/2007  
 PLOT SCALE = 5/8" = 1' / IN.  
 USER NAME = qureshaja

REVISIONS		ILLINOIS DEPARTMENT OF TRANSPORTATION
NAME	DATE	
		U.S. 34 EXISTING AND PROPOSED TYPICAL SECTIONS
SCALE: VERT. _____		DRAWN BY _____
DATE _____		