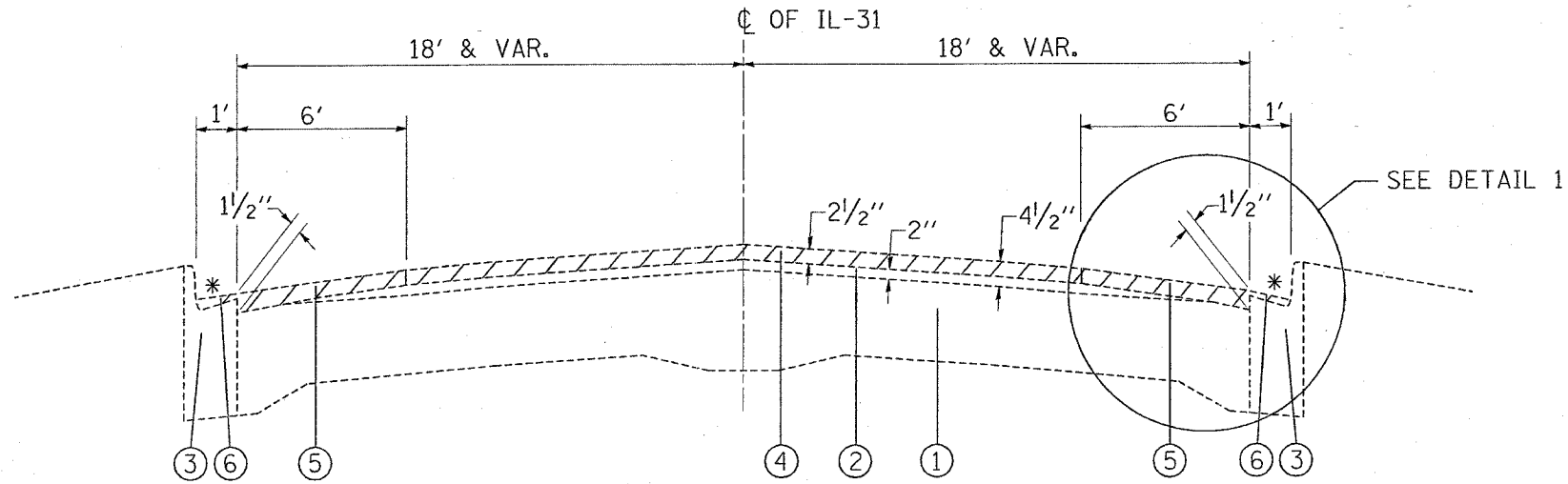


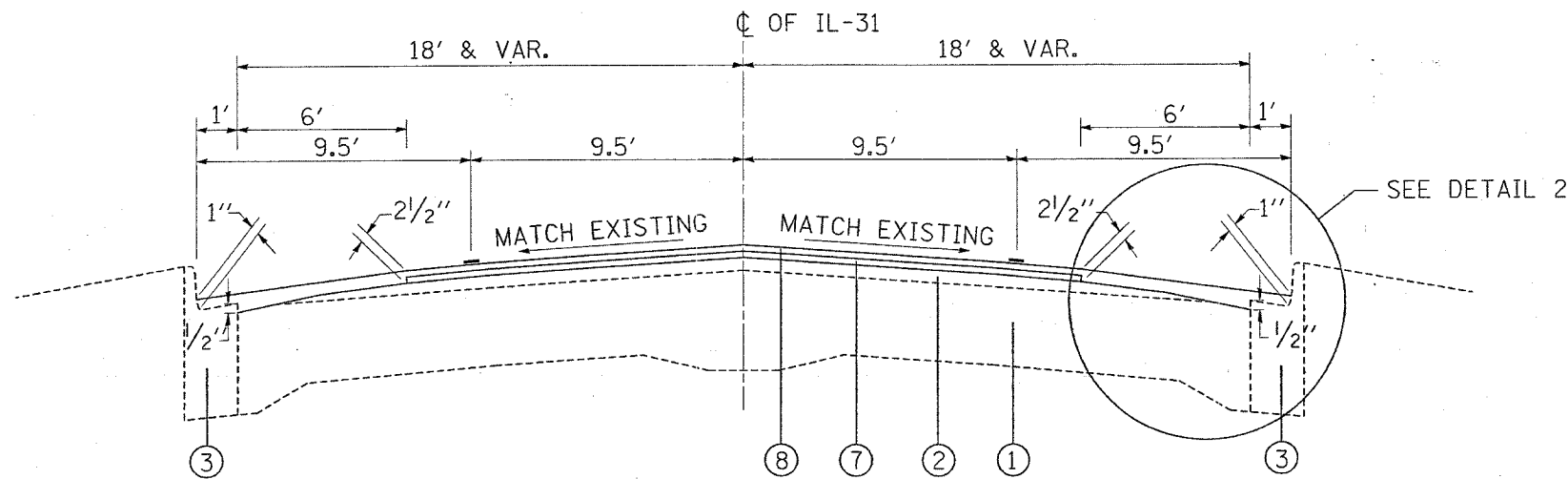
F.A.U. RTE.	SECTION	COUNTY	TOTAL SHEETS	SHEET NO.
3887	A-R-RS-3	KANE	24	5
STA.		TO STA.		
FED. ROAD DIST. NO.		ILLINOIS FED. AID PROJECT		



IL. RTE. 31
EXISTING TYPICAL CROSS SECTION

STA. 10+00 TO STA. 51+10
STA. 66+66 TO STA. 163+65

* EXISTING HMA OVERLAY ON 1' GUTTER FLAG

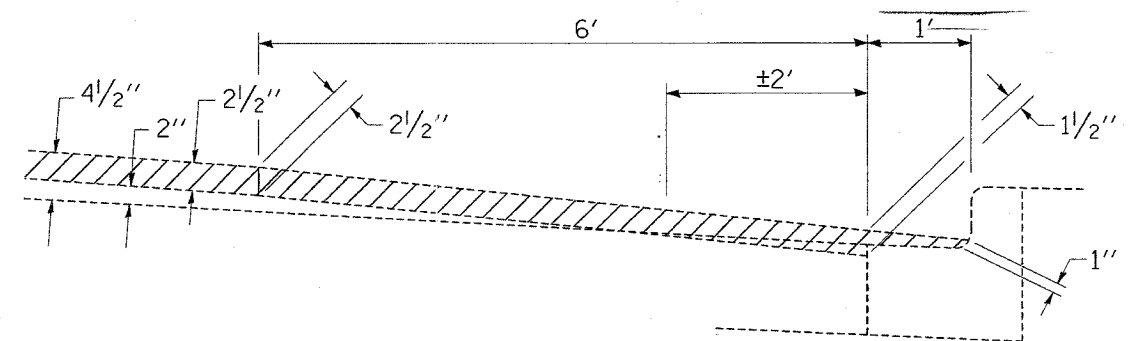


IL. RTE. 31
PROPOSED TYPICAL CROSS SECTION

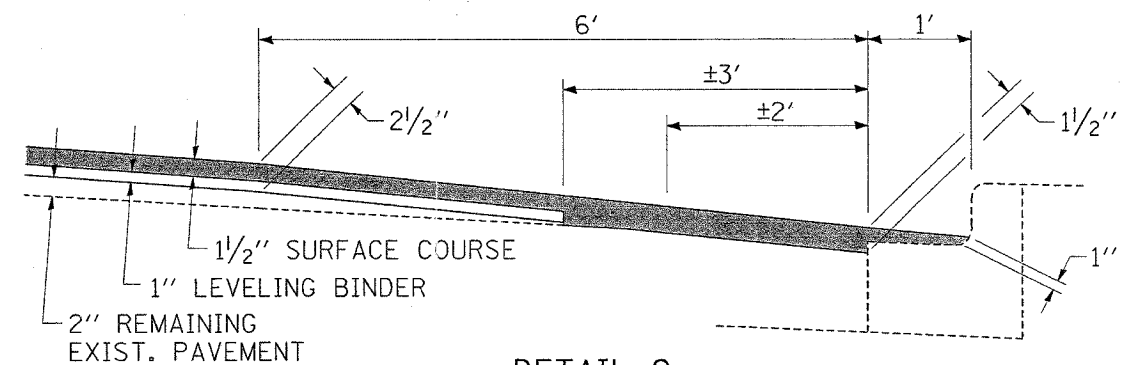
STA. 10+00 TO STA. 51+10
STA. 66+66 TO STA. 163+65

LEGEND

- ① EXISTING P.C. CONCRETE PAVEMENT
- ② EXISTING HMA SURFACE REMAINING AFTER MILLING, 2"
- ③ EXISTING COMBINATION CONCRETE CURB & GUTTER, B-6.12
- ④ PROPOSED HMA SURFACE REMOVAL, 2 1/2"
- ⑤ PROPOSED HMA SURFACE REMOVAL, 1 1/2" TO 2 1/2"
- ⑥ PROPOSED HMA SURFACE REMOVAL OVER GUTTER FLAG, 1"
- ⑦ PROPOSED LEVELING BINDER (MACHINE METHOD), N70, 1"
- ⑧ PROPOSED HMA SURFACE COURSE, MIX 'D', N70, 1 1/2"



DETAIL 1
NOT TO SCALE



DETAIL 2
NOT TO SCALE

REVISIONS	
NAME	DATE

ILLINOIS DEPARTMENT OF TRANSPORTATION

IL. ROUTE 31
EXISTING & PROPOSED
TYPICAL CROSS SECTIONS

SCALE: VERT. NONE
DATE 4/12/2007

DRAWN BY
CHECKED BY