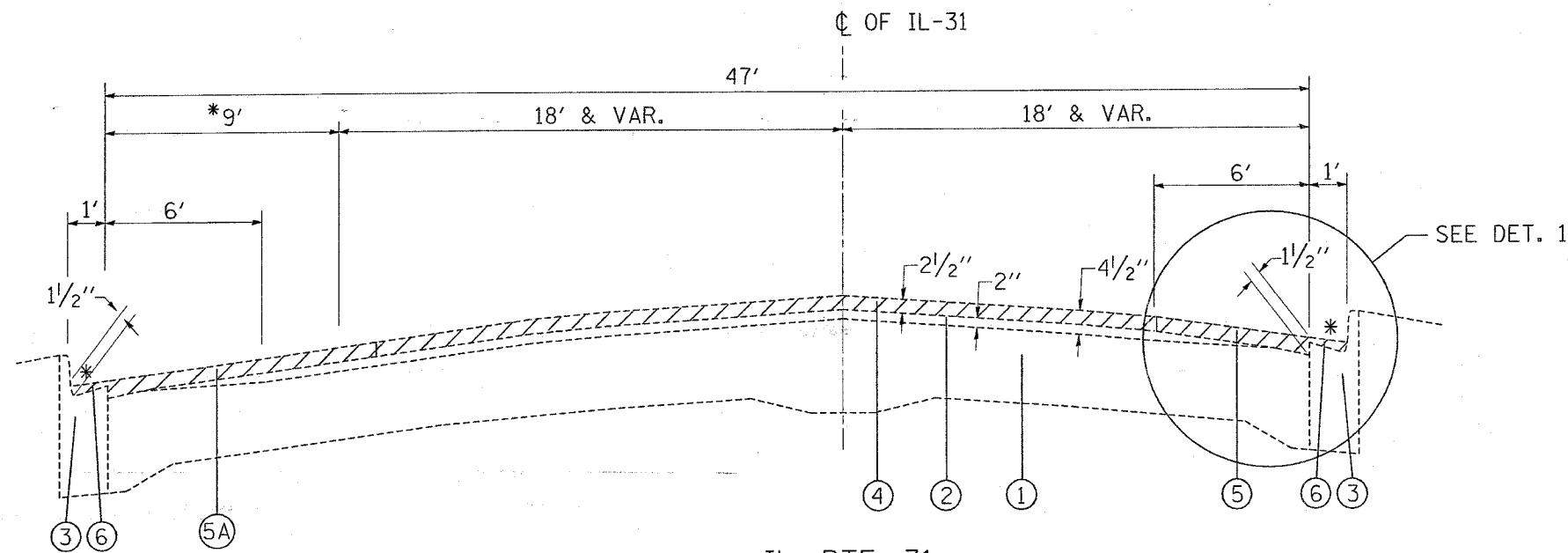


F.A.U. RTE.	SECTION	COUNTY	TOTAL SHEETS	SHEET NO.
3887	A-R-RS-3	KANE	24	6
STA.		TO STA.		
FED. ROAD DIST. NO.		ILLINOIS FED. AID PROJECT		

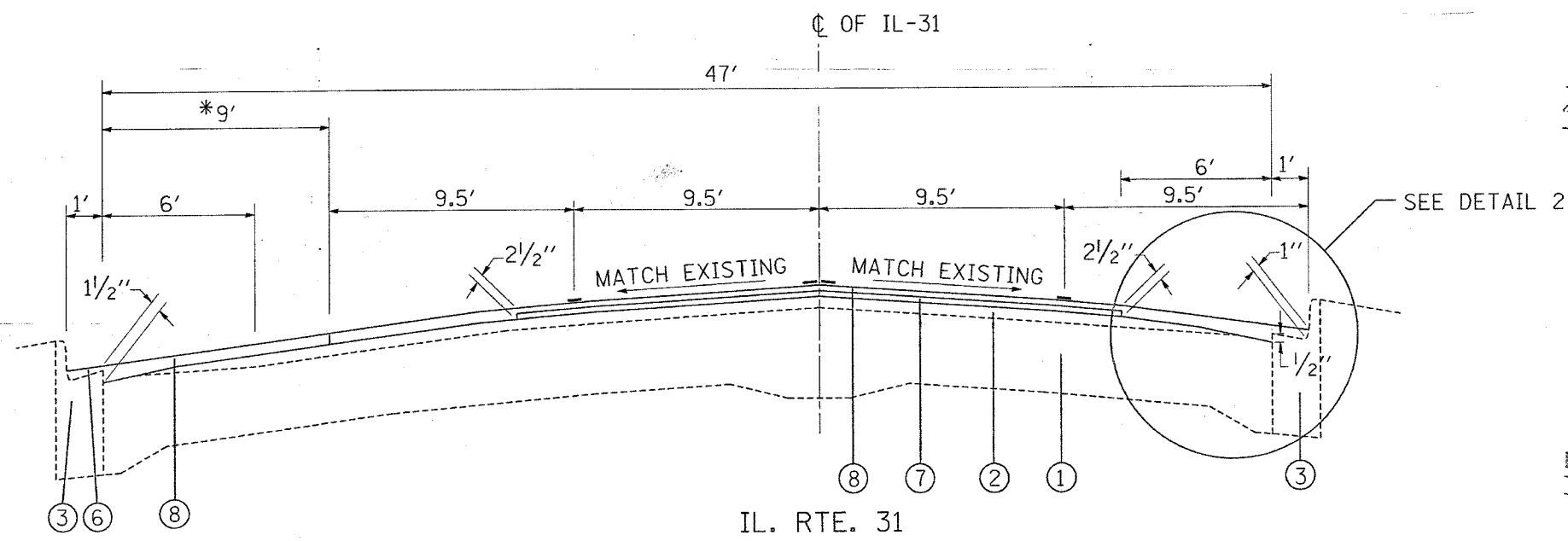


IL. RTE. 31
 EXISTING TYPICAL CROSS SECTION
 STA. 51+10 TO STA. 66+23
 * EXISTING HMA OVERLAY ON 1' GUTTER FLAG

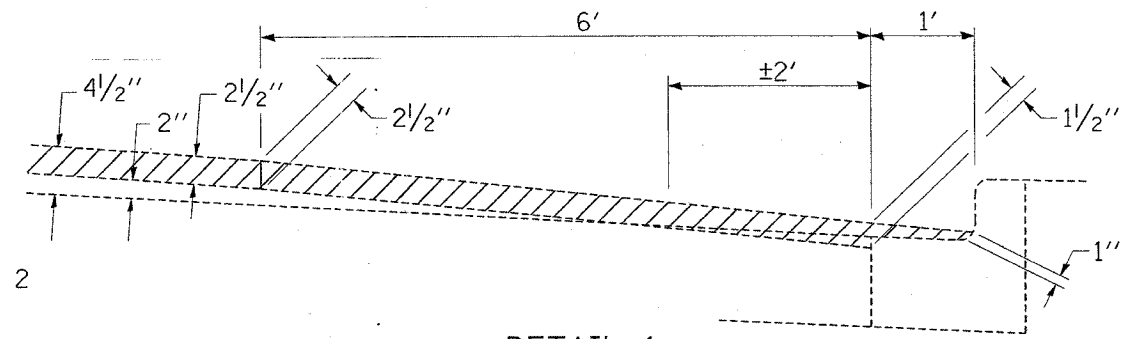
LEGEND

- ① EXISTING P.C. CONCRETE PAVEMENT
- ② EXISTING HMA SURFACE REMAINING AFTER MILLING, 2"
- ③ EXISTING COMBINATION CONCRETE CURB & GUTTER, B-6.12
- ④ PROPOSED HMA SURFACE REMOVAL, 2 1/2"
- ⑤ PROPOSED HMA SURFACE REMOVAL, 1 1/2" TO 2 1/2"
- ⑤A PROPOSED HMA SURFACE REMOVAL, 1 1/2"
- ⑥ PROPOSED HMA SURFACE REMOVAL OVER GUTTER FLAG, 1"
- ⑦ PROPOSED LEVELING BINDER (MACHINE METHOD), N70, 1"
- ⑧ PROPOSED HMA SURFACE COURSE, MIX 'D', N70, 1 1/2"

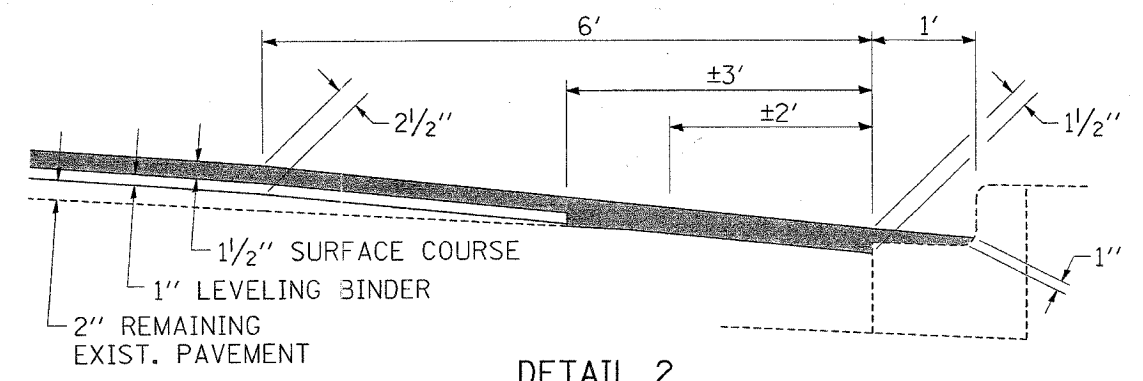
* EXISTING HMA SHOULDER RESURFACING WITH 1 1/2" SURFACE COURSE ONLY AND DIAGONAL STRIPING (6" LINE WHITE)



IL. RTE. 31
 PROPOSED TYPICAL CROSS SECTION
 STA. 51+10 TO STA. 66+23



DETAIL 1
 NOT TO SCALE



DETAIL 2
 NOT TO SCALE

PLOT DATE = 4/12/2007
 FILE NAME = c:\p\projects\1212207\design\asgn
 PLOT SCALE = 0.0000 / IN.
 USER NAME = bward.

REVISIONS	
NAME	DATE

ILLINOIS DEPARTMENT OF TRANSPORTATION

**IL. ROUTE 31
 EXISTING & PROPOSED
 TYPICAL CROSS SECTIONS**

SCALE: VERT. NONE
 HORIZ. DATE 4/12/2007

DRAWN BY
 CHECKED BY