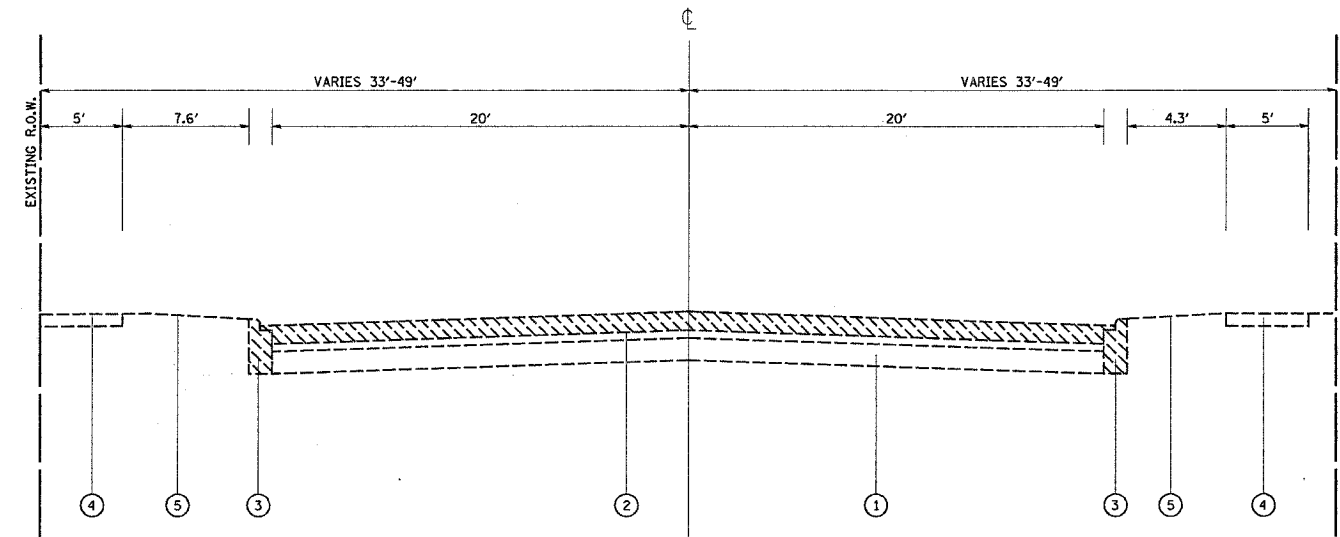


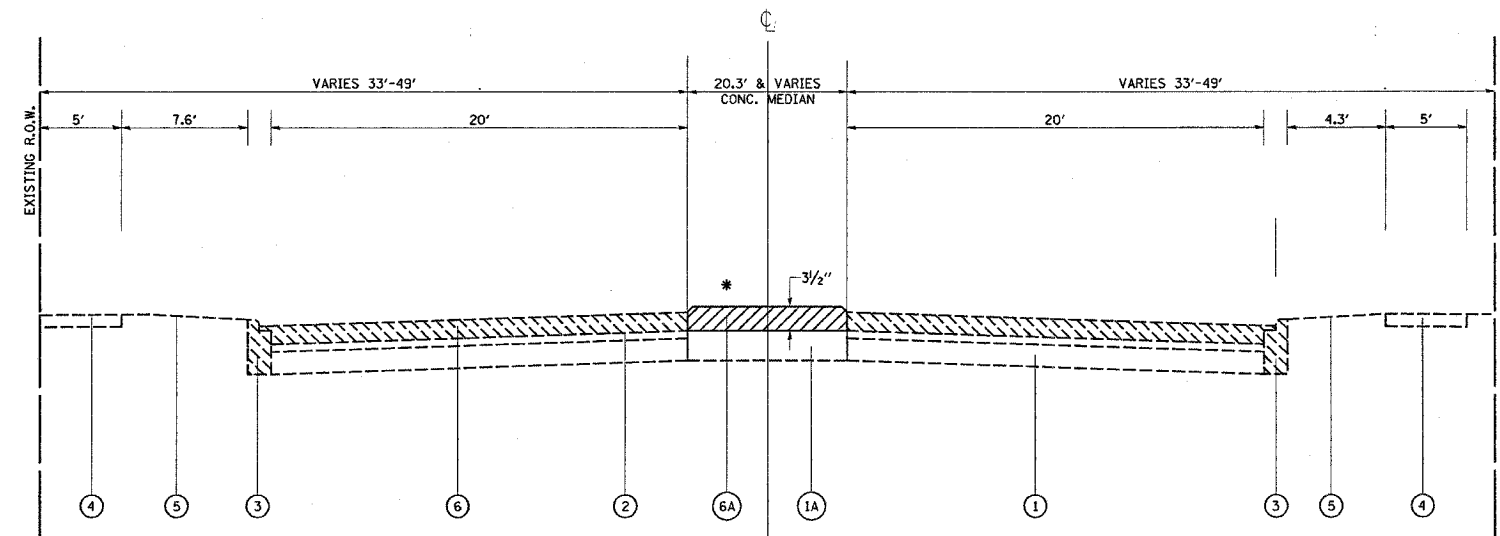
F.A.P. RTE.	SECTION	COUNTY	TOTAL SHEETS	SHEET NO.
344	3034N-1	COOK	71	7
STA.	TO STA.			
FED. ROAD DIST. NO. 1	ILLINOIS	FED. AID PROJECT		

CONTRACT NO. 62719

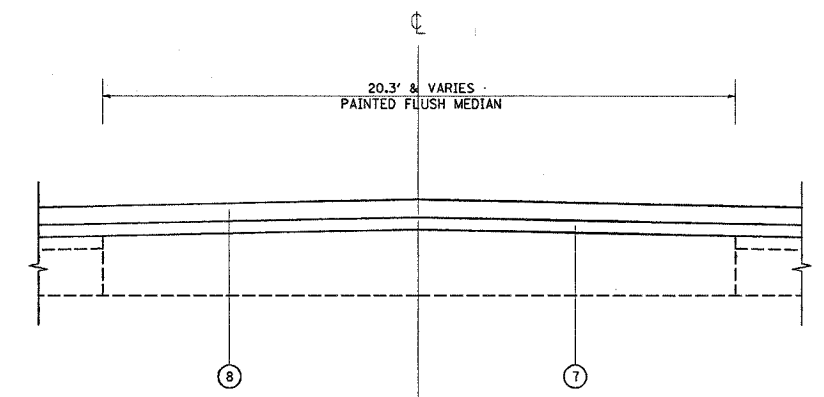


EXISTING TYPICAL SECTION
127TH ST.
STA. 93+85 TO STA. 105+15

- LEGEND
- ① EXISTING P.C.C. PAVEMENT, VARIES 6"-9 3/4"
 - ①A EXISTING CORRUGATED P.C. CONCRETE MEDIAN
 - ② EXISTING HMA SURFACE AFTER MILLING, VARIES 1/2"-2 1/4"
 - ③ EXISTING COMBINATION CONCRETE CURB AND GUTTER, B-6.12
 - ④ EXISTING P.C.C. SIDEWALK
 - ⑤ EXISTING PARKWAY
 - ⑥ PROPOSED HMA SURFACE REMOVAL, 2 1/2"
 - ⑥A PROPOSED MEDIAN REMOVAL (PARTIAL DEPTH)
 - ⑦ PROPOSED POLYMERIZED LEVELING BINDER (MACHINE METHOD), IL-4.75, N50, 1"
 - ⑧ PROPOSED HMA CONCRETE SURFACE COURSE, MIX "D", N70, 1 1/2"
 - ⑨ PROPOSED AGGREGATE SUB-GRADE, 12"
 - ⑩ PROPOSED P.C.C. BASE COURSE, 9"
 - ⑪ PROPOSED COMBINATION CONCRETE CURB & GUTTER, B-6.12
 - ⑫ PROPOSED P.C.C. SIDEWALK, 5"
 - ⑬ PROPOSED TOP SOIL, 4"
- REMOVAL



EXISTING TYPICAL SECTION
127TH ST.
STA. 105+15 TO STA. 110+08



* PROPOSED TYPICAL SECTION
127TH ST.
STA. 105+15 TO STA. 110+08
MEDIAN ONLY

REVISIONS		ILLINOIS DEPARTMENT OF TRANSPORTATION
NAME	DATE	
		127TH STREET (BURR OAK AVE.) AT MAPLE AVE. TYPICAL SECTIONS

SCALE: VERT. DRAWN BY
HORIZ. CHECKED BY
DATE 1/9/2007