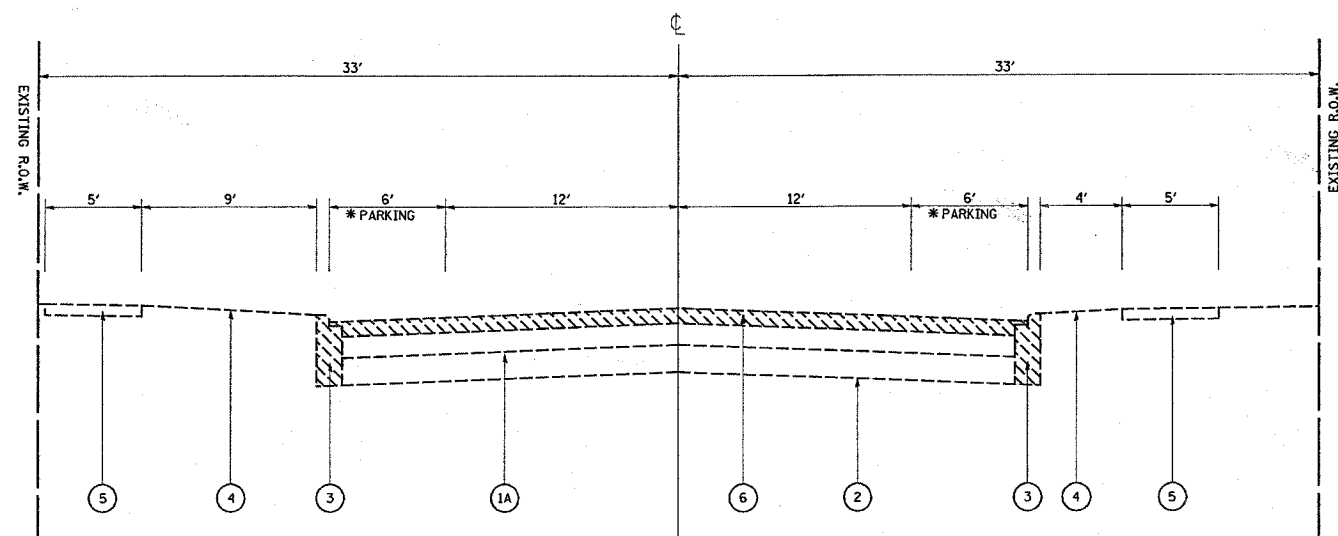


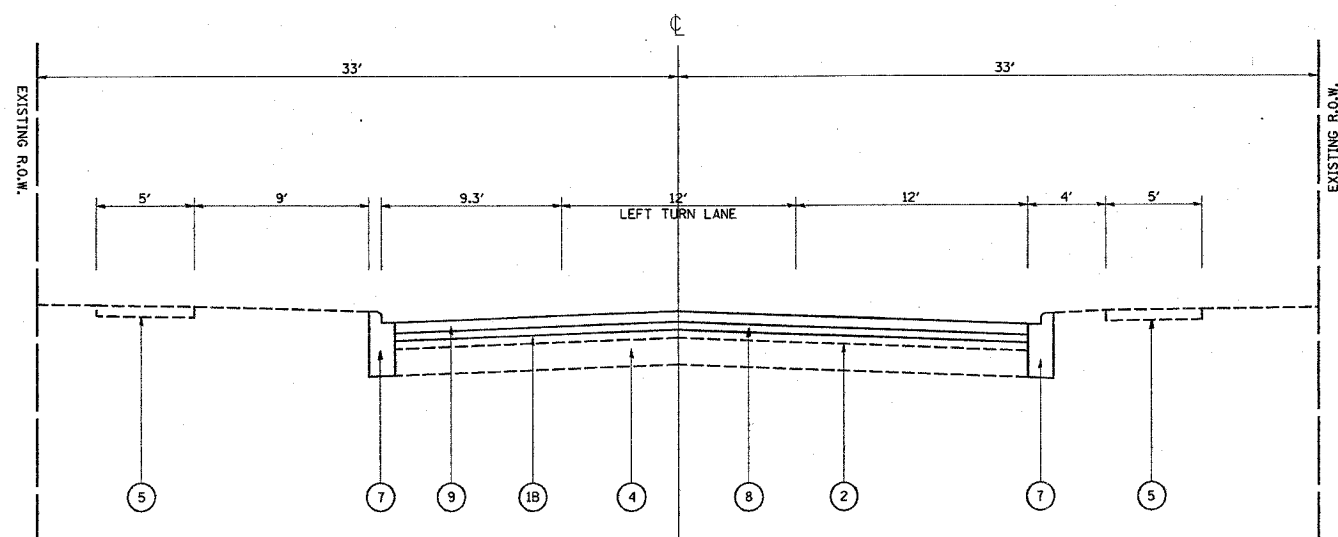
F.A.P. RTE.	SECTION	COUNTY	TOTAL SHEETS	SHEET NO.
344	3034N-1	COOK	71	11
STA.	TO STA.			
FED. ROAD DIST. NO. 1	ILLINOIS	FED. AID PROJECT		

CONTRACT NO. 62719



EXISTING TYPICAL SECTION
MAPLE AVENUE
STA. 20+00 TO STA. 21+64

- LEGEND
- ①A EXISTING HMA/UMINOUS PAVEMENT VARIES AND 2.75"
 - ①B EXISTING HMA/UMINOUS SURFACE AFTER MILLING
 - ② EXISTING PAVING BRICK, 4"
 - ③ EXISTING COMBINATION CONCRETE CURB AND GUTTER, B-6.12
 - ④ EXISTING PARKWAY
 - ⑤ EXISTING P.C.C. SIDEWALK
 - ⑥ PROPOSED HMA REMOVAL, 2 1/2"
 - ⑦ PROPOSED COMBINATION CONCRETE CURB AND GUTTER, B-6.12
 - ⑧ PROPOSED POLYMERIZED LEVELING BINDER (MACHINE METHOD), IL-4.75, N50, 1"
 - ⑨ PROPOSED HMA SURFACE COURSE, MIX "D", N70, 1 1/2"
 - * ON STREET PARKING FROM STA. 20+83 TO STA. 21+64 ONLY
 - REMOVAL



PROPOSED TYPICAL SECTION
MAPLE AVENUE
STA. 20+00 TO STA. 21+64

REVISIONS	
NAME	DATE

ILLINOIS DEPARTMENT OF TRANSPORTATION
MAPLE AVENUE
AT 127TH STREET (BURR OAK AVENUE)
TYPICAL SECTIONS

SCALE: VERT. DRAWN BY
 HORIZ. CHECKED BY
DATE 1/3/2007