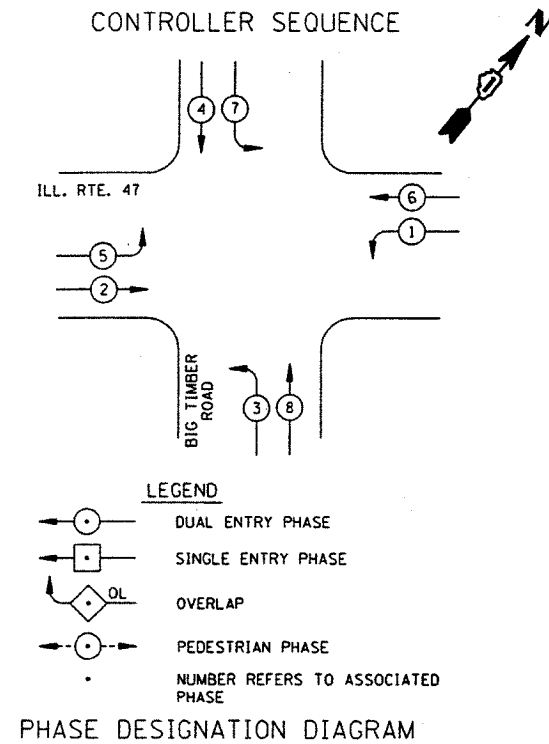


F.A.P. RTE.	SECTION	COUNTY	TOTAL SHEETS	SHEET NO.
326	0106 N-1	KANE	82	38
STA.		TO STA.		
FED. ROAD DIST. NO. 1		ILLINOIS	FED. AID PROJECT	



SCHEDULE OF QUANTITIES		
PAY ITEM	UNIT	QUANTITY
CHANGEABLE MESSAGE SIGN	CAL MO	2
SIGN PANEL - TYPE I	SO FT	33
CONDUIT IN TRENCH, 2" DIA., GALVANIZED STEEL	FOOT	559
CONDUIT IN TRENCH, 2 1/2" DIA., GALVANIZED STEEL	FOOT	131
CONDUIT IN TRENCH, 3" DIA., GALVANIZED STEEL	FOOT	21
CONDUIT IN TRENCH, 4" DIA., GALVANIZED STEEL	FOOT	103
CONDUIT PUSHED, 2" DIA., GALVANIZED STEEL	FOOT	44
CONDUIT PUSHED, 4" DIA., GALVANIZED STEEL	FOOT	277
HEAVY-DUTY HANDHOLE	EACH	9
DOUBLE HANDHOLE	EACH	1
TRENCH AND BACKFILL FOR ELECTRICAL WORK	FOOT	809
FULL-ACTUATED CONTROLLER AND TYPE IV CABINET (SPECIAL)	EACH	1
UNINTERRUPTABLE POWER SUPPLY	EACH	1
TRANSCEIVER - FIBER OPTIC	EACH	1
ELECTRIC CABLE IN CONDUIT, SIGNAL NO. 14 5C	FOOT	1411
ELECTRIC CABLE IN CONDUIT, SIGNAL NO. 14 7C	FOOT	1893
ELECTRIC CABLE IN CONDUIT, LEAD-IN NO. 14 1 PAIR	FOOT	1823
ELECTRIC CABLE IN CONDUIT, SERVICE NO. 6 2C	FOOT	53
STEEL MAST ARM ASSEMBLY AND POLE, 28 FT.	EACH	1
STEEL MAST ARM ASSEMBLY AND POLE, 30 FT.	EACH	1
STEEL COMBINATION MAST ARM ASSEMBLY AND POLE, 42 FT.	EACH	1
STEEL COMBINATION MAST ARM ASSEMBLY AND POLE, 48 FT.	EACH	1
STEEL COMBINATION MAST ARM ASSEMBLY AND POLE, 52 FT.	EACH	1
STEEL COMBINATION MAST ARM ASSEMBLY AND POLE, 55 FT.	EACH	1
CONCRETE FOUNDATION, TYPE C	FOOT	4
CONCRETE FOUNDATION, TYPE E 30-INCH DIAMETER	FOOT	30
CONCRETE FOUNDATION, TYPE E 36-INCH DIAMETER	FOOT	60
SIGNAL HEAD, L.E.D., 1-FACE, 3-SECTION, MAST ARM MOUNTED	EACH	4
SIGNAL HEAD, L.E.D., 1-FACE, 5-SECTION, MAST ARM MOUNTED	EACH	6
SIGNAL HEAD, L.E.D., 2-FACE, 1-3 SECTION, 1-5 SECTION, BRACKET MOUNTED	EACH	2
TRAFFIC SIGNAL BACKPLATE, LOUVERED, ALUMINUM	EACH	10
INDUCTIVE LOOP DETECTOR	EACH	8
DETECTOR LOOP, TYPE I	FOOT	1232
REMOVE EXISTING HANDHOLE	EACH	1
REMOVE EXISTING FLASHING BEACON INSTALLATION COMPLETE	EACH	12
SERVICE INSTALLATION, POLE MOUNT	EACH	1
ELECTRIC CABLE IN CONDUIT, GROUNDING, NO. 6 1C	FOOT	1274
POST MOUNTED FLASHING BEACON - SOLAR POWERED INSTALLATION	EACH	6

NOTE:
THE TRAFFIC SIGNAL CONTROLLER EQUIPMENT FOR THIS PROJECT SHALL BE "EAGLE" TO MATCH THE EXISTING ADJACENT SYSTEM.

REVISIONS	
NAME	DATE

ILLINOIS DEPARTMENT OF TRANSPORTATION

PHASE DESIGNATION DIAGRAM & SCHEDULE OF QUANTITIES

ILL. RTE. 47 & BIG TIMBER ROAD

SCALE: NOT TO SCALE DRAWN BY: CEC
DATE: 5/9/2007 CHECKED BY: JJE

REV. 3