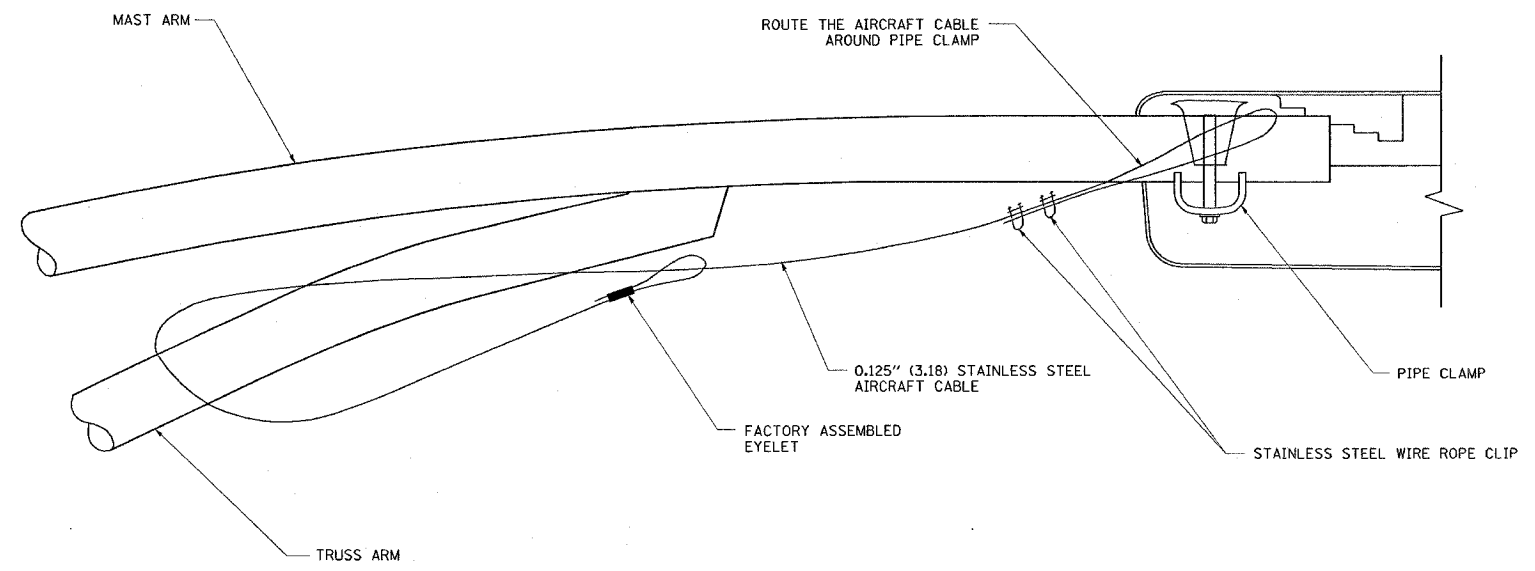
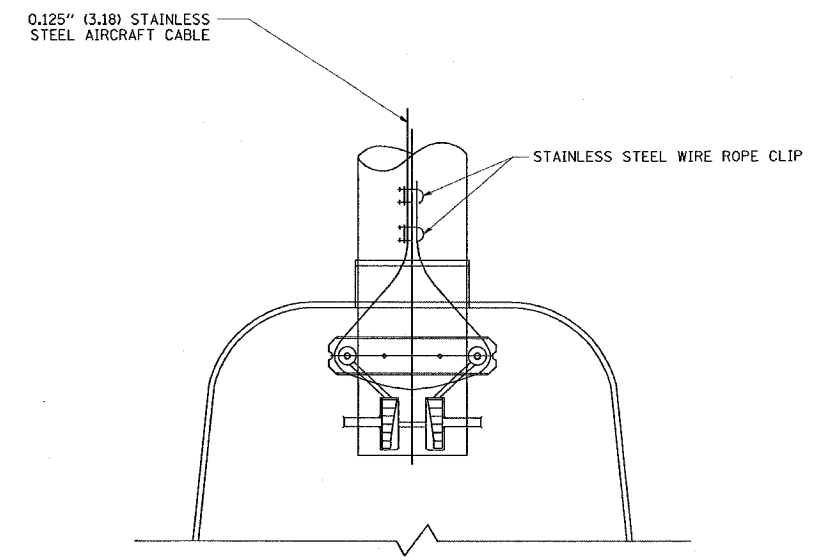


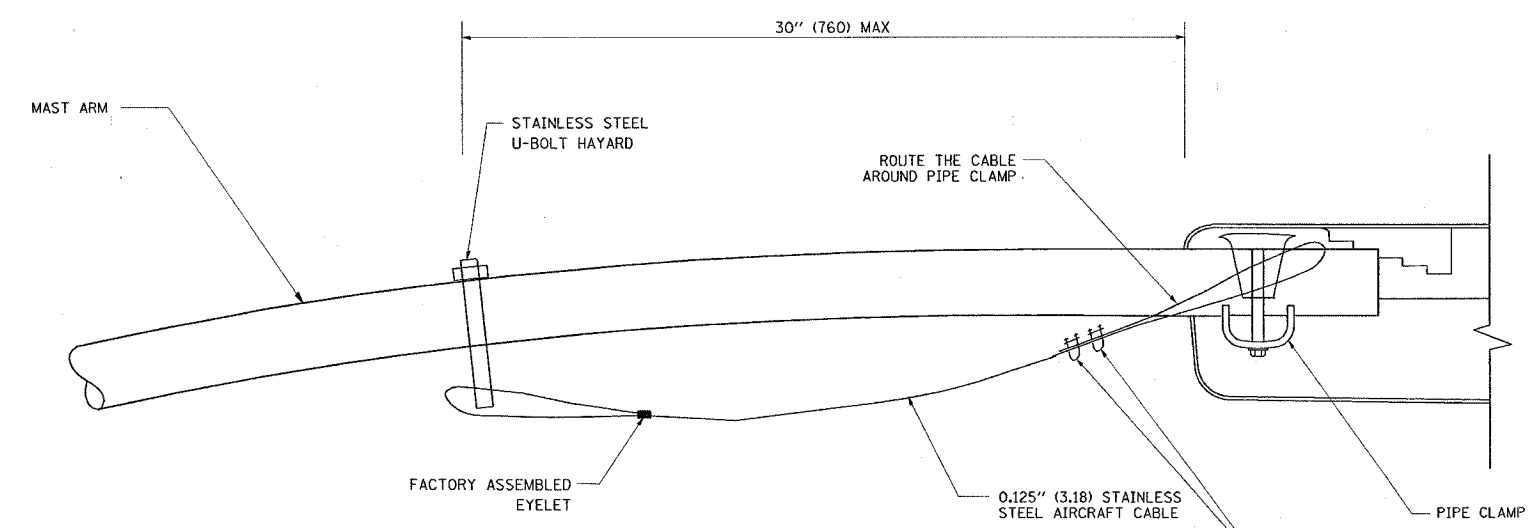
F.A.P. RTE.	SECTION	COUNTY	TOTAL SHEETS	SHEET NO.
326	106-N-1	KANE	82	57
STA.		TO STA.		
FED. ROAD DIST. NO. 1 ILLINOIS FED. AID PROJECT				



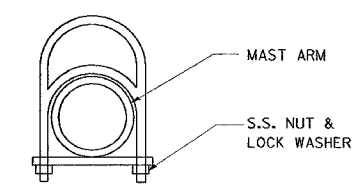
SIDE VIEW (TRUSS ARM)  
N.T.S.



BOTTOM VIEW  
N.T.S.



SIDE VIEW (SINGLE MEMBER OR DAVIT ARM)  
N.T.S.



STAINLESS STEEL U-BOLT HAYARD

NOTES:

1. ALL DIMENSIONS ARE IN MILLIMETERS (INCHES) UNLESS OTHERWISE SHOWN.
2. CONTRACTOR SHALL ADJUST THE WIRE CLIP TO ELIMINATE ANY SLACK FROM THE WIRE ROPE.
3. THE 0.125" (3.18) STAINLESS STEEL AIRCRAFT CABLE SHALL REMAIN VISIBLE FROM THE GROUND LEVEL.
4. THE BREAKING STRENGTH OF THE CABLE SHALL BE 1700 LBS. MIN.

REVISIONS	
NAME	DATE

ILLINOIS DEPARTMENT OF TRANSPORTATION  
  
LUMINAIRE SAFETY  
CABLE ASSEMBLY

SCALE: VERT.  
HORIZ.  
DATE: 2/14/2007

DRAWN BY  
CHECKED BY  
BE-701  
REVISION DATE: 01/01/07

PLOT DATE = 2/14/2007  
FILE NAME = m:\data\106\106781.dgn  
PLOT SCALE = 80000 / IN.  
USER NAME = r11gwenep