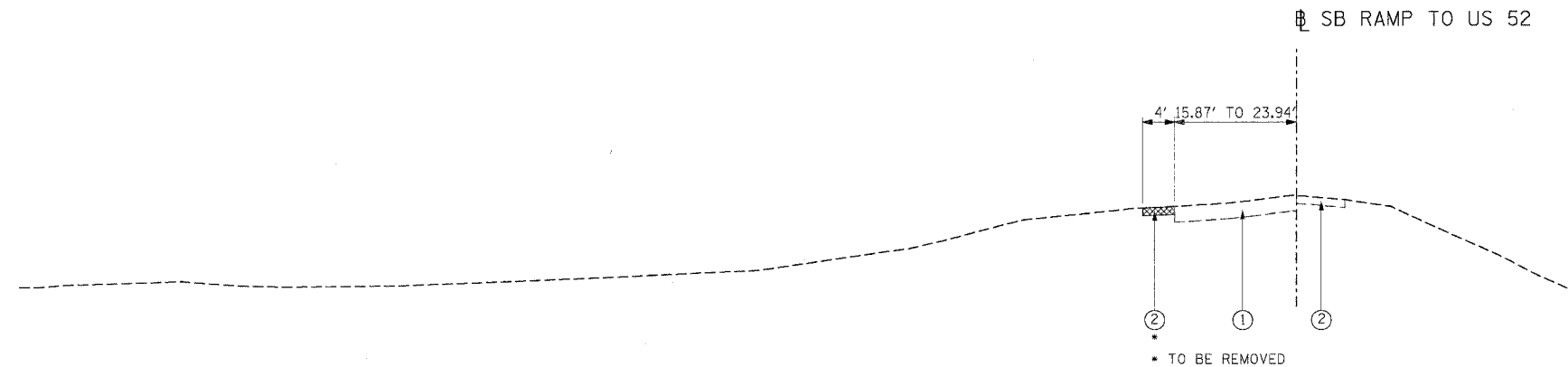
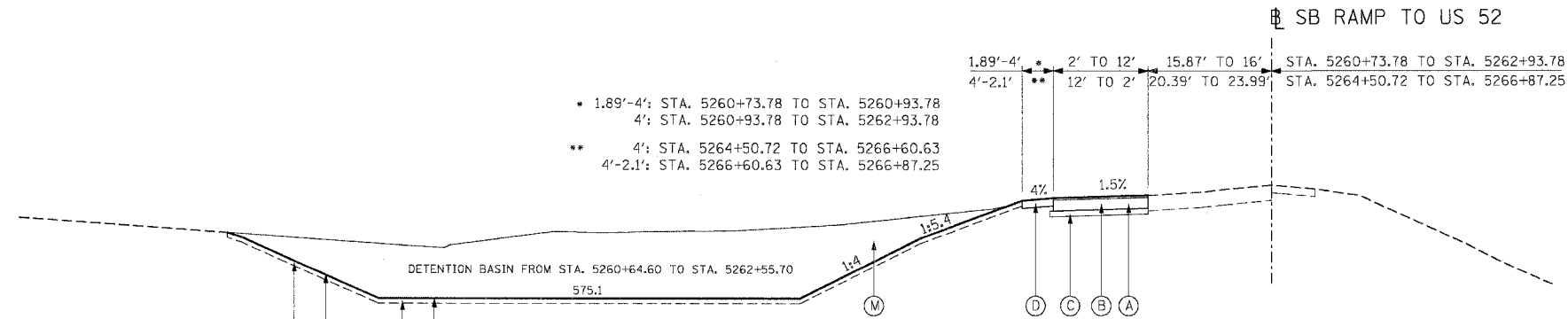


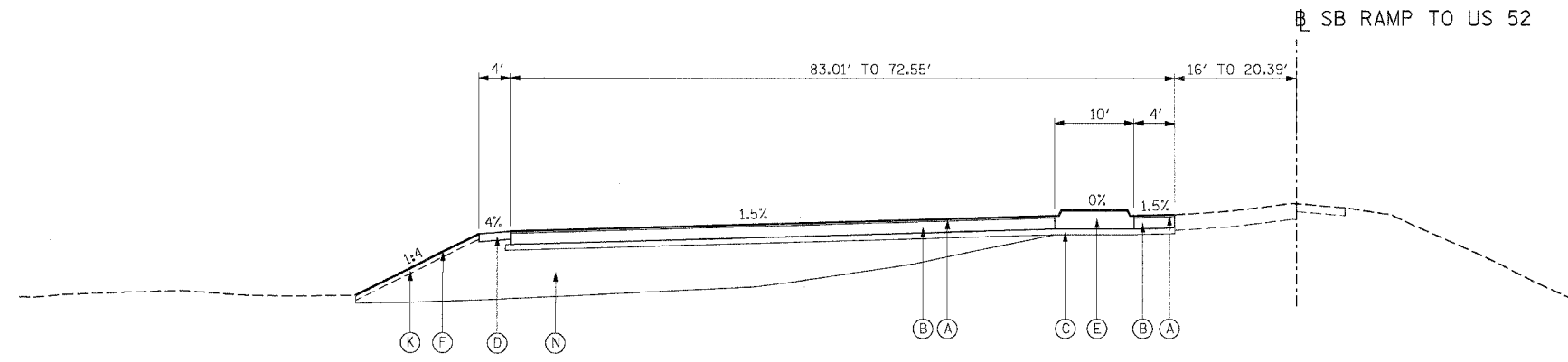
F.A.I. RTE.	SECTION	COUNTY	TOTAL SHEETS	SHEET NO.
55	99 (1&2) WRS	WILL	334	14
STA.		TO STA.		
FED. ROAD DIST. NO.		ILLINOIS	FED. AID PROJECT	



**EXISTING ROADWAY TYPICAL SECTION**  
STA. 5260+73.78 TO STA. 5266+87.25



**PROPOSED ROADWAY TYPICAL SECTION**  
STA. 5260+73.78 TO STA. 5262+93.78  
STA. 5264+50.72 TO STA. 5266+87.25



**PROPOSED ROADWAY TYPICAL SECTION**  
STA. 5262+93.78 TO STA. 5264+50.72

**EXISTING LEGEND**

- ① P.C.C. PAVEMENT, 9 1/2"
- ② P.C.C. SHOULDER, 9 1/2"

**PROPOSED LEGEND**

- (A) HOT-MIX ASPHALT SURFACE COURSE, MIX "D", N70; 2"
- (B) HOT-MIX ASPHALT BASE COURSE, 11 1/2"
- (C) SUB-BASE GRANULAR MATERIAL, TYPE B 6"
- (D) AGGREGATE SHOULDERS, TYPE B 8"
- (E) CONCRETE MEDIAN TYPE SM
- (F) SEEDING, CLASS 2A
- (G) SEEDING, CLASS 4
- (H) SEEDING, CLASS 4B (MODIFIED)
- (I) EROSION CONTROL BLANKET
- (J) MULCH, METHOD 2
- (K) TOPSOIL FURNISH AND PLACE, 6"
- (L) COMPOST FURNISH AND PLACEMENT, 4"
- (M) EARTH EXCAVATION
- (N) EMBANKMENT

PLOT DATE = 02/23/07  
 FILE NAME = 022307.DWG  
 USER NAME = WBSHAKZ  
 SA:\DOCUMENT\022307\CIVIL\DCANT\990904827.SHT

REVISIONS	
NAME	DATE

ILLINOIS DEPARTMENT OF TRANSPORTATION  
 I-55 (I-80 TO BLACK ROAD)  
 WIDENING AND RESURFACING

**TYPICAL SECTIONS  
 AIS AT SB I-55 EXIT TO US 52**

SCALE: N.T.S. DRAWN BY GF  
 DATE 02/23/07 CHECKED BY DDH

**TENG** TENG & ASSOCIATES, INC.  
 ENGINEERS/ARCHITECTS/PLANNERS  
 CHICAGO, ILLINOIS