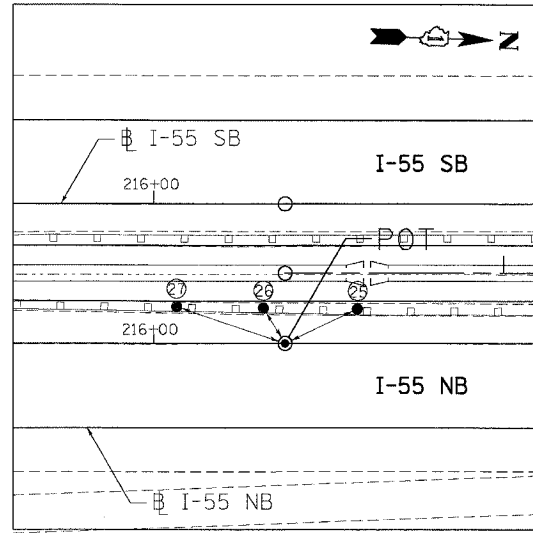
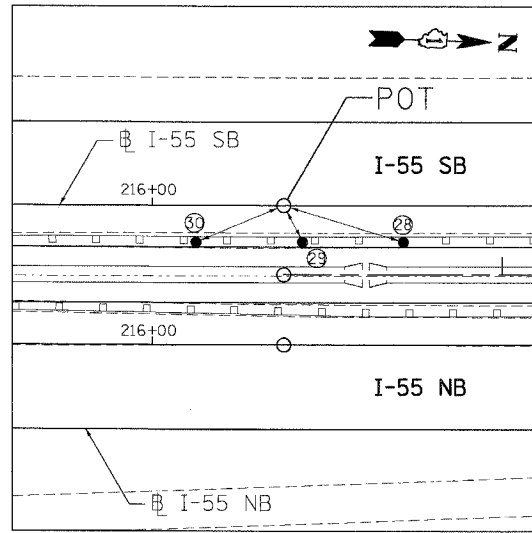


F.A.I. RTE.	SECTION	COUNTY	TOTAL SHEETS	SHEET NO.
55	99 (1&2) WRS	WILL	334	38
STA.		TO STA.		
FED. ROAD DIST. NO.		ILLINOIS	FED. AID PROJECT	



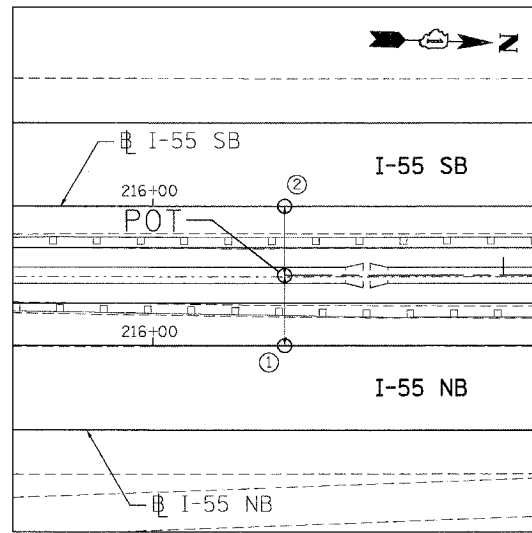
POT STA. 216+37.60 (SET PK NAIL)

- ② SET PK NAIL, 22.84'
- ③ SET PK NAIL, 11.78'
- ⑤ SET PK NAIL, 32.62'



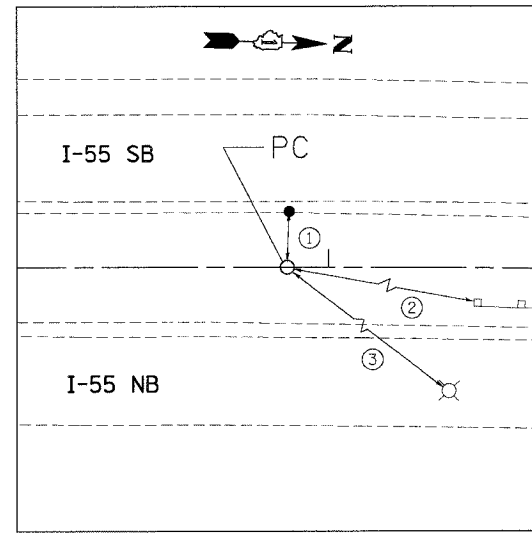
POT STA. 216+37.60 (SET PK NAIL)

- ③ SET PK NAIL, 35.82'
- ④ SET PK NAIL, 11.90'
- ⑥ SET PK NAIL, 27.24'



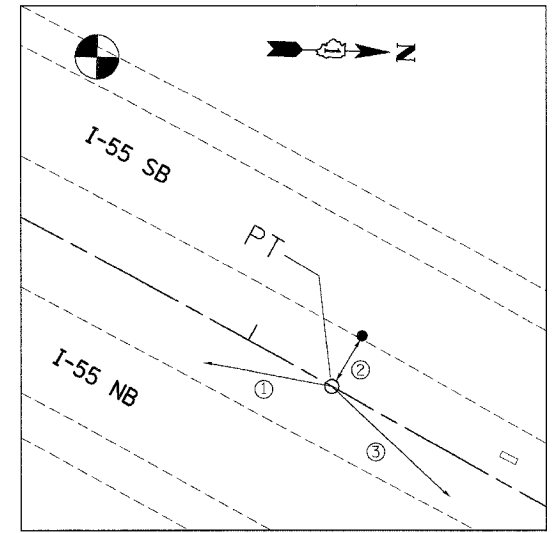
POT STA. 216+37.60 (SET PK NAIL)

- ① SET PK NAIL, 20.00'
- ② SET PK NAIL, 20.00'



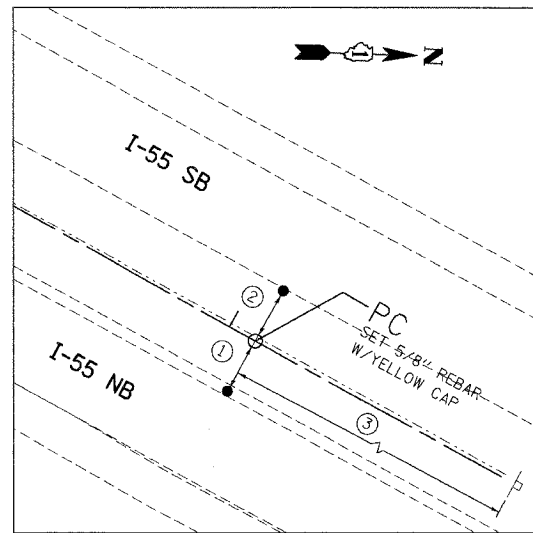
PC STA. 273+88.19

- ① PK NAIL, EDGE OF E. SHLDR OF I-55 SB, 15.97'
- ② PK NAIL, GR POST ALONG W. SHLDR. OF NB I-55, 139.33'
- ③ 'X' CUT ON W. SIDE OF CONC. BASE OF LP, 119.43'



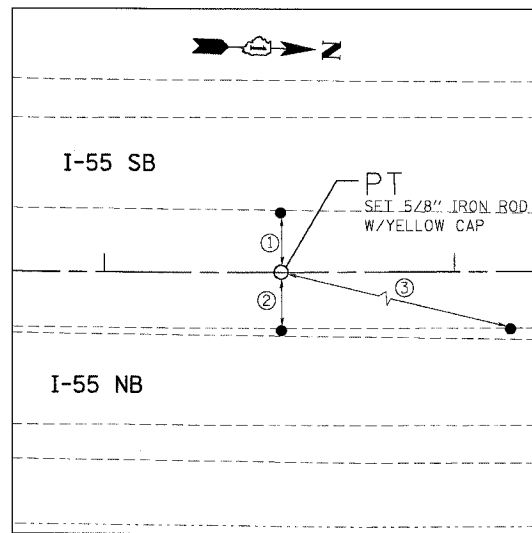
PT STA. 303+27.19

- ① PK NAIL, TOP OF WD. SPACER TO GR, 36.22'
- ② PK NAIL, E. EDGE OF SB I-55 SHLDR, 16.26'
- ③ PK NAIL, TOP OF WD. SPACER S. OF TIE #1, 45.48'



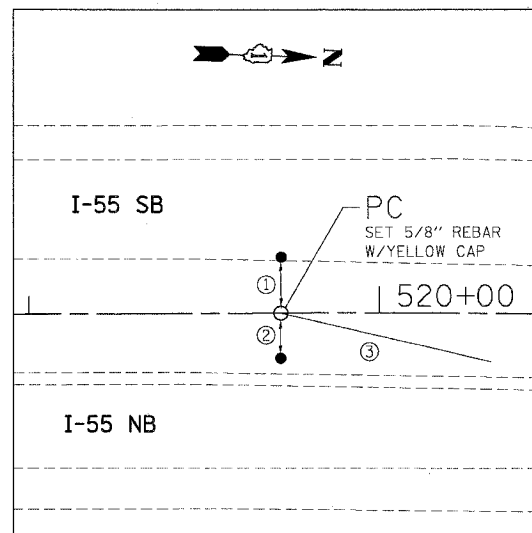
PC STA. 384+08.43

- ① PK NAIL, W. E.P. SHLDR ON NB, 16.39'
- ② PK NAIL, E. E.P. SHLDR ON SB, 16.44'
- ③ PK NAIL, E. FACE OF WD POST, 160.77'



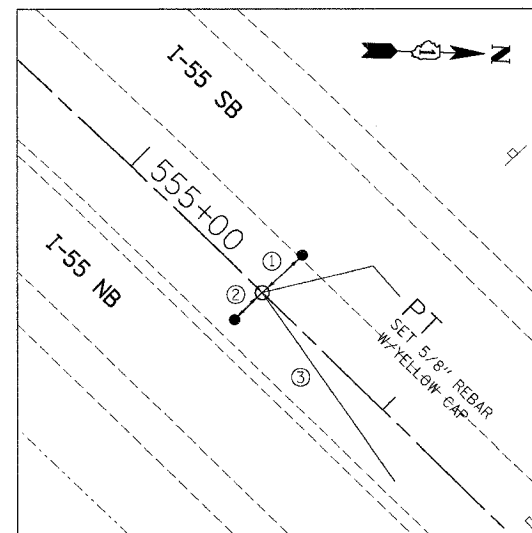
PT STA. 413+50.50

- ① PK NAIL, E. E.P. OF SHLDR ON SB I-55 OPPOSITE P.T., 17.305'
- ② PK NAIL, W. E.P. OF SHLDR ON NB I-55 OPPOSITE P.T., 16.747'
- ③ PK NAIL, W. E.P. OF SHLDR ON NB I-55 OPPOSITE SURFACE DRAIN TO CENTER MEDIAN, 130.54'



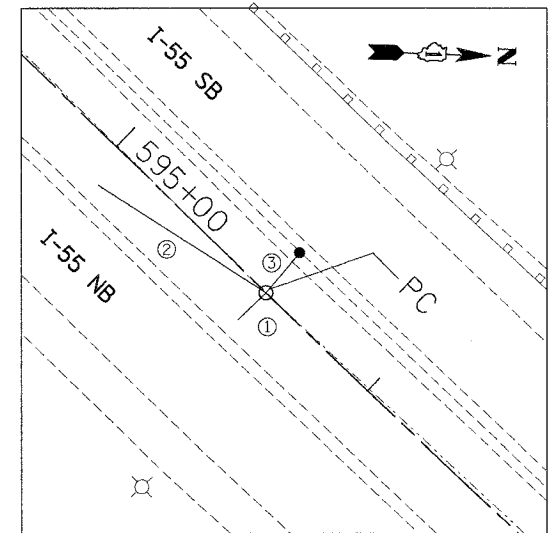
PC STA. 519+71.86

- ① PK NAIL, SHLDR E.P. OF SB I-55, 15.964'
- ② PK NAIL, ON TOP OF POST SPACER TO GR W, 12.796'
- ③ PK NAIL, ON 10TH I-BEAM N. OF TIE # 2, 61.467'



PT STA. 555+51.97

- ① PK NAIL, E. E.P. SB I-55 OPP. P.T., 15.601'
- ② PK NAIL, TOP OF WD. POST SPACER ON GR., 11.095'
- ③ PK NAIL, ON 10TH WD. POST SPACER ON GR NE'LY OF TIE # 2, 65.809'



PC STA. 595+59.70

- ① PK NAIL, ON TOP OF WD. SPACER TO GR. W. SIDE OF NB I-55, 11.215'
- ② PK NAIL, ON TOP OF WD. SPACER TO GR ON 10TH POST S. OF TIE # 1, 56.874'
- ③ PK NAIL, E.P. TO SHLDR OF SB I-55, 15.493'

REVISIONS	
NAME	DATE

ILLINOIS DEPARTMENT OF TRANSPORTATION
FAI ROUTE 55 (I-80 TO BLACK ROAD)
WIDENING AND RESURFACING

ALIGNMENT, TIES AND BENCHMARKS
V

SCALE: N.T.S. DRAWN BY SB
DATE 02/23/07 CHECKED BY DDH

TENG TENG & ASSOCIATES, INC.
ENGINEERS/ARCHITECTS/PLANNERS
CHICAGO, ILLINOIS

PLOT DATE = 02/23/07
 FILE NAME = 02/23/07
 PLOT SCALE = 1"=40'
 USER NAME = USER