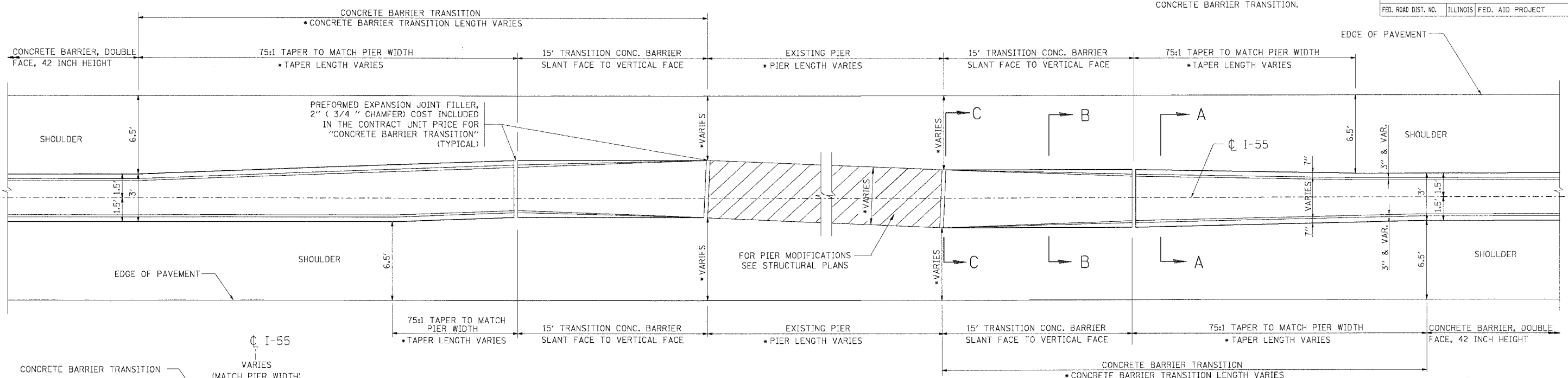
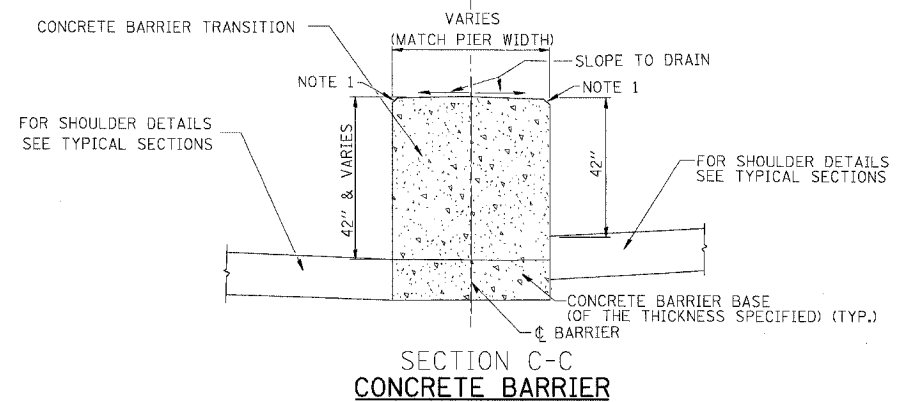


F.A.I. RTE.	SECTION	COUNTY	TOTAL SHEETS	SHEET NO.
55	99 (I&2) WRS	WILL	334	69
STA.	TO STA.			
FED. ROAD DIST. NO.	ILLINOIS	FED. AID PROJECT		

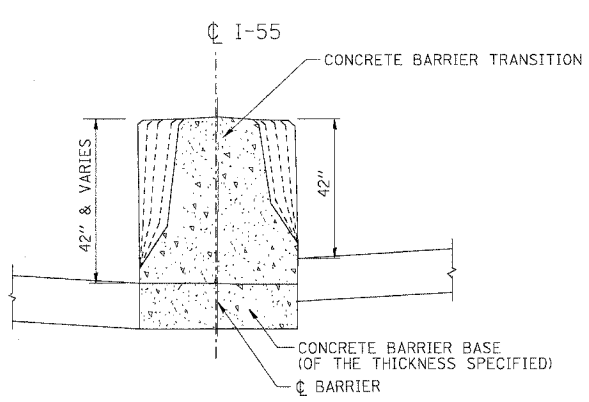
GENERAL NOTES - PREFORMED JOINT FILLER SHALL BE INCLUDED IN THE CONTRACT UNIT PRICE FOR CONCRETE BARRIER TRANSITION.



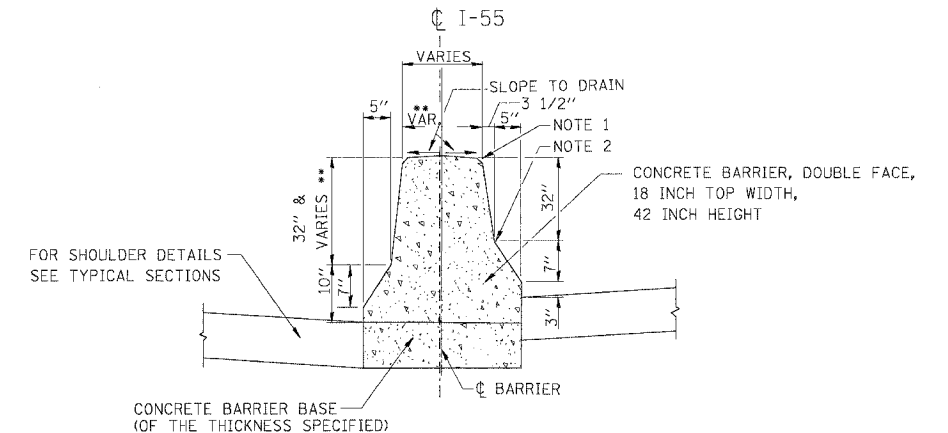
TYPICAL CONCRETE BARRIER TRANSITION EXCEPT I-80 INTERSECTION  
PLAN VIEW



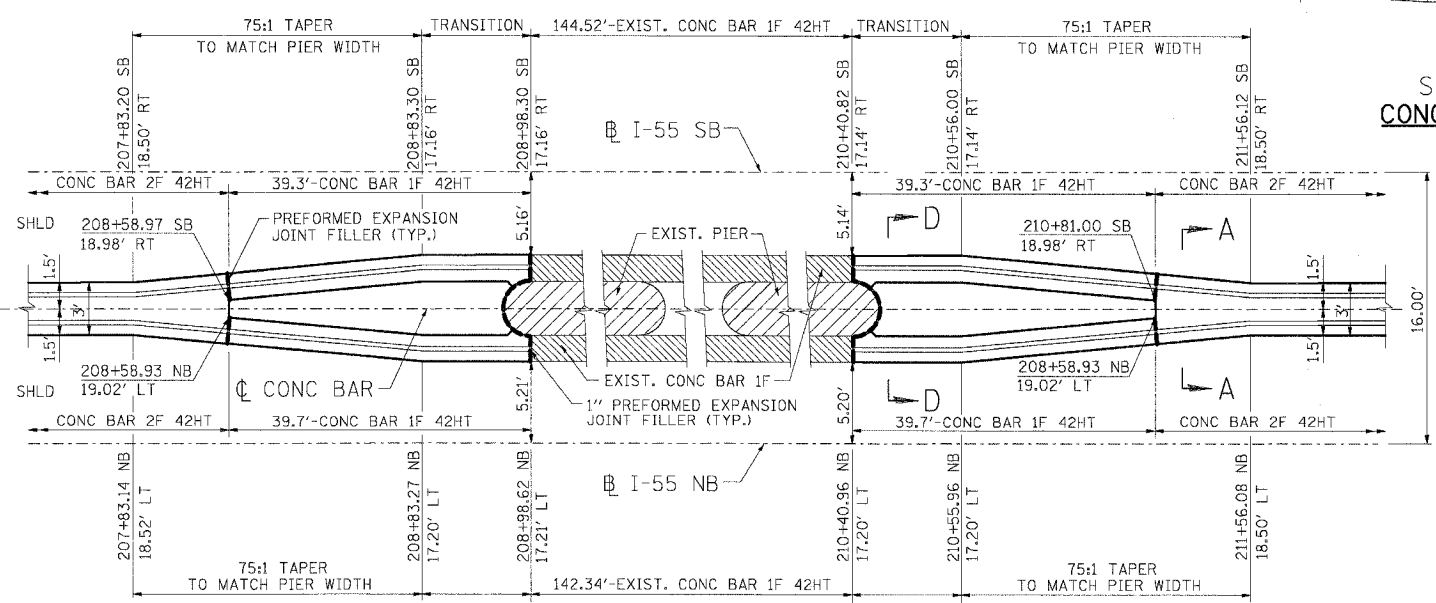
SECTION C-C  
CONCRETE BARRIER



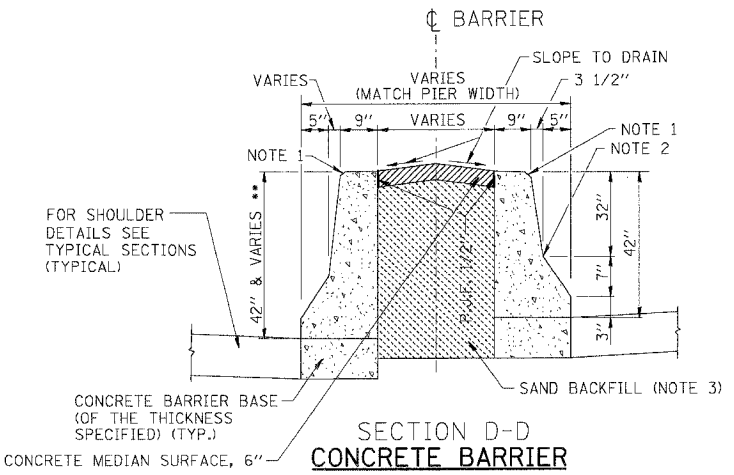
SECTION B-B  
CONCRETE BARRIER



SECTION A-A  
CONCRETE BARRIER



CONCRETE BARRIER TRANSITION AT I-80 INTERSECTION  
PLAN VIEW



SECTION D-D  
CONCRETE BARRIER

- NOTE 1 - 3/4" CHAMFER OR 1" RADIUS (OPTIONAL)
- NOTE 2 - 10" RADIUS (OPTIONAL)
- NOTE 3 - FILLING WITH CONCRETE WILL NOT BE ALLOWED

\*\* MAINTAIN SLOPE OF FACE AS SHOWN ON DETAIL. HEIGHT AND WIDTH OF BARRIER INCREASE WHERE A DIFFERENCE IN MEDIAN EDGE-OF-PAVEMENT GRADE ELEVATION EXISTS.

REVISIONS	
NAME	DATE

ILLINOIS DEPARTMENT OF TRANSPORTATION  
FAI ROUTE 55 (I-80 TO BLACK ROAD)  
WIDENING AND RESURFACING

**ROADWAY DETAILS  
CONCRETE BARRIER TRANSITION**

SCALE: N.T.S. DRAWN BY: GF  
DATE: 02/23/07 CHECKED BY: DDH

**TENG**  
TENG & ASSOCIATES, INC.  
ENGINEERS/ARCHITECTS/PLANNERS  
CHICAGO, ILLINOIS

PLOT DATE: 02/23/07  
 FILE NAME: 2-28-2007\_1747356  
 USER NAME: WSPNKZ  
 SA: DOCUMENT\0228158\1\00\006\606\4083.SHT