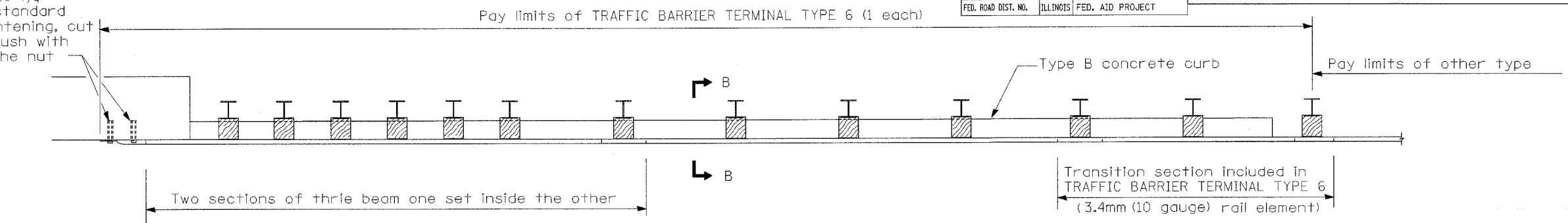


CONTRACT NO. 62895

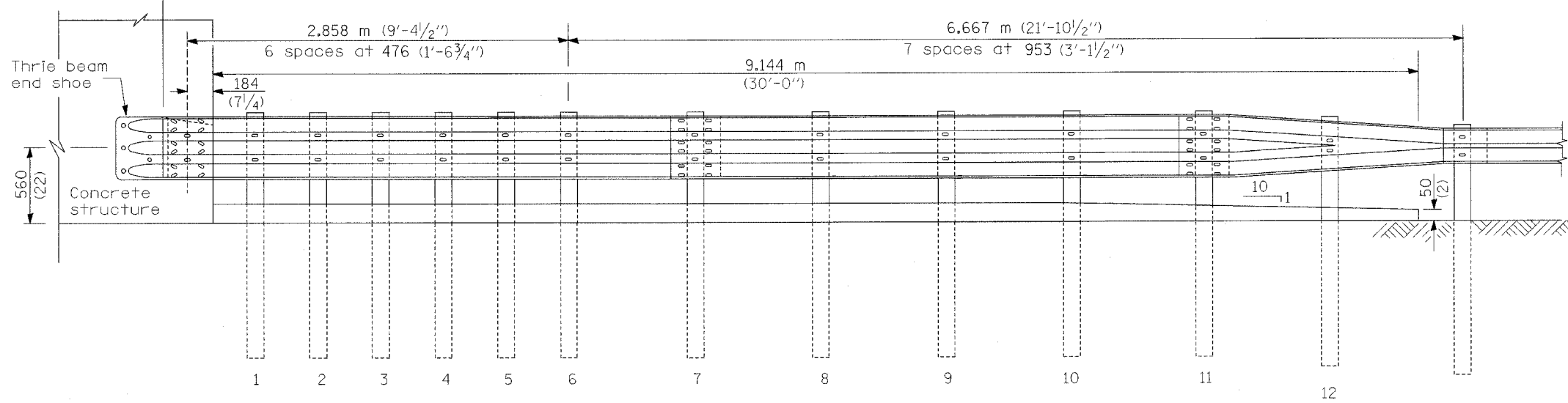
| F.A.I. RTE. | SECTION | COUNTY | TOTAL SHEETS | SHEET NO. |
|---------------------|--------------|------------------|--------------|-----------|
| 55 | 99 (1&2) WRS | WILL | 334 | 69H |
| FED. ROAD DIST. NO. | ILLINOIS | FED. AID PROJECT | | |

OTHER CONCRETE STRUCTURE

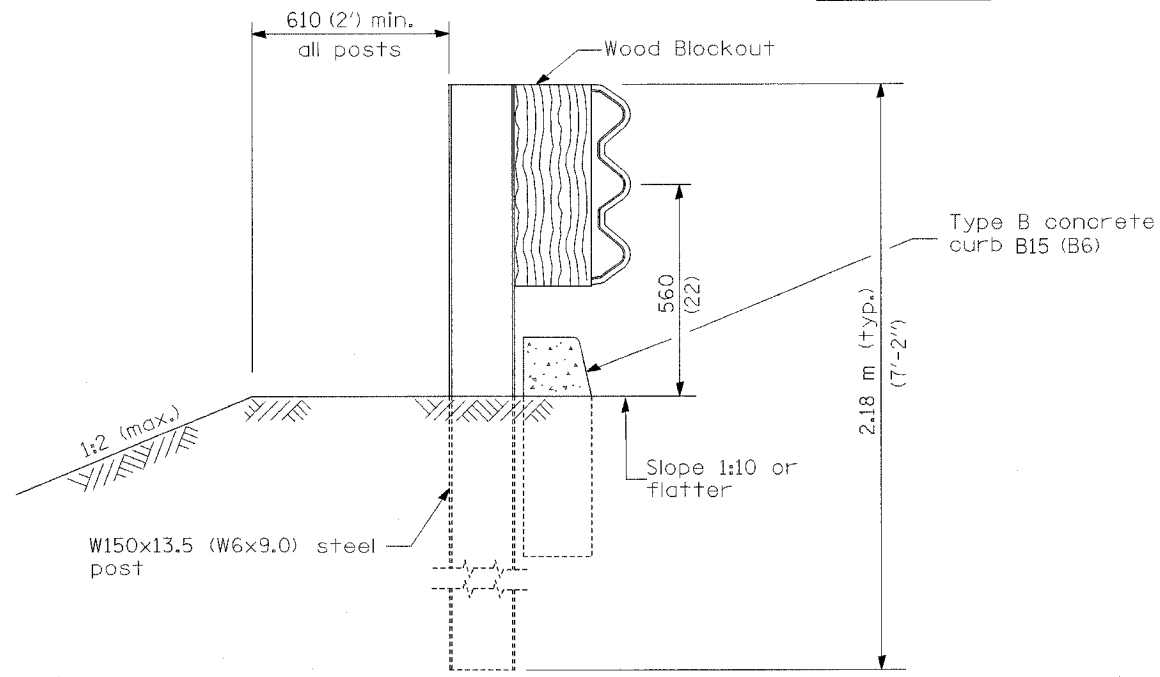
5 Epoxy grouted M20 (3/4) anchor bolts with standard washers. After tightening, cut the anchor bolts flush with nuts, and damage the nut to prevent it from loosening.



PLAN



ELEVATION



SECTION B-B

TRAFFIC BARRIER
TERMINAL, TYPE 6
Sheet 2 of 3
ROADWAY DETAIL