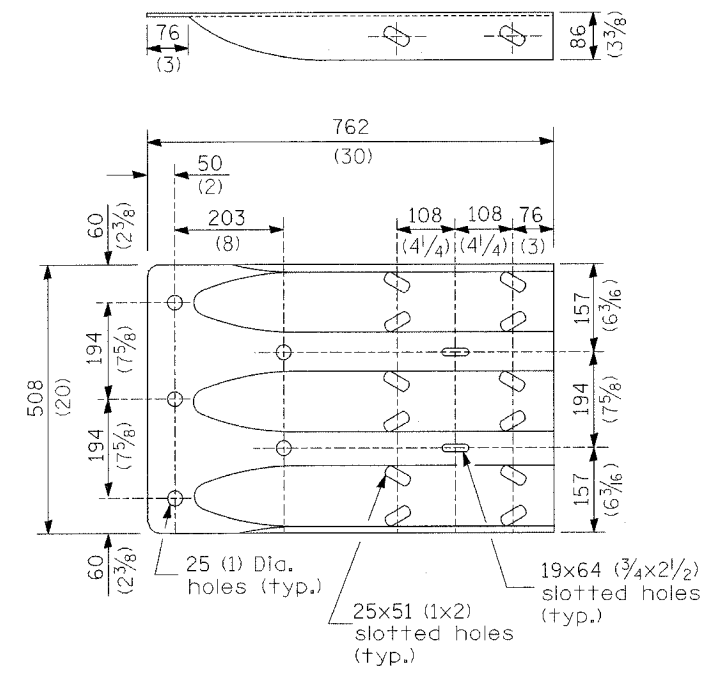
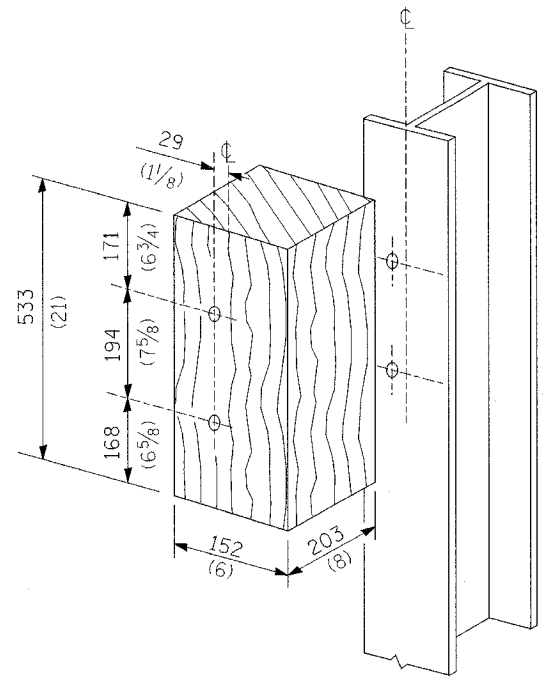


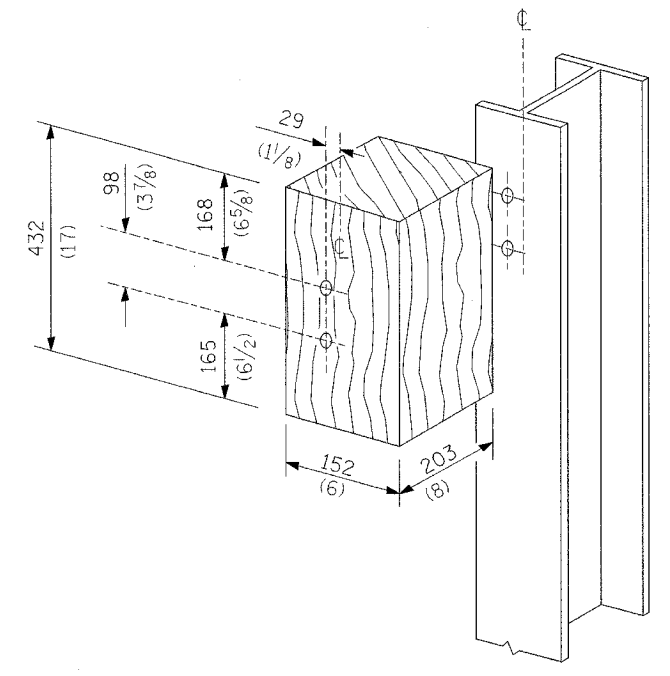
CONTRACT NO. 62895				
F.A.I. RTE.	SECTION	COUNTY	TOTAL SHEETS	SHEET NO.
55	99 (1&2) WRS	WILL.	334	691
FED. ROAD DIST. NO.	ILLINOIS FED. AID PROJECT			



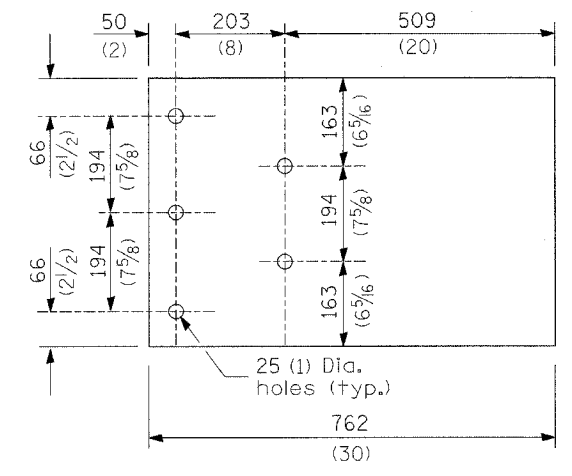
THRIE BEAM END SHOE DETAIL



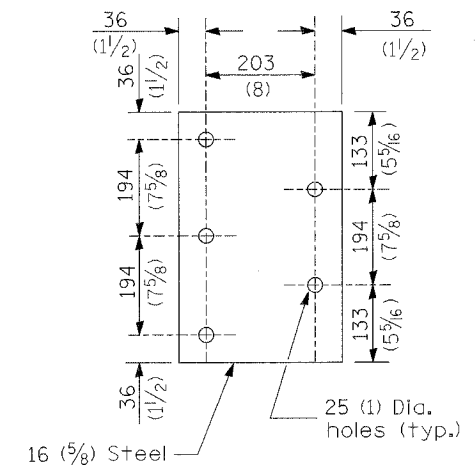
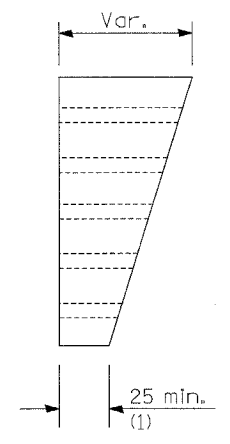
POSTS 1-11 WOOD BLOCKOUT DETAIL



POST 12 WOOD BLOCKOUT DETAIL



PARAPET WOOD BLOCK-OUT DETAIL



PARAPET STEEL BEARING PLATE DETAIL

(5 each individual 125x125x16 (5x5x5/8) steel plates with centered 25 (1) holes may be substituted for the plate shown.)

TRAFFIC BARRIER
TERMINAL, TYPE 6

Sheet 3 of 3

ROADWAY DETAIL