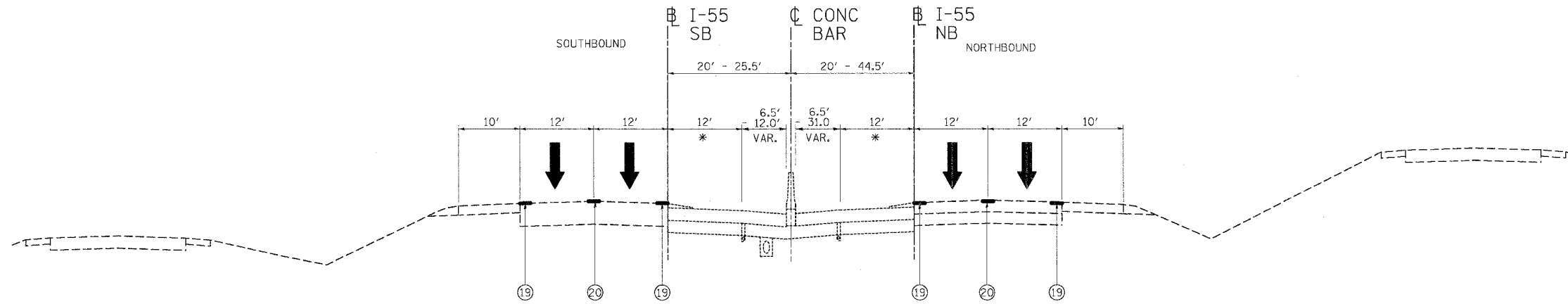


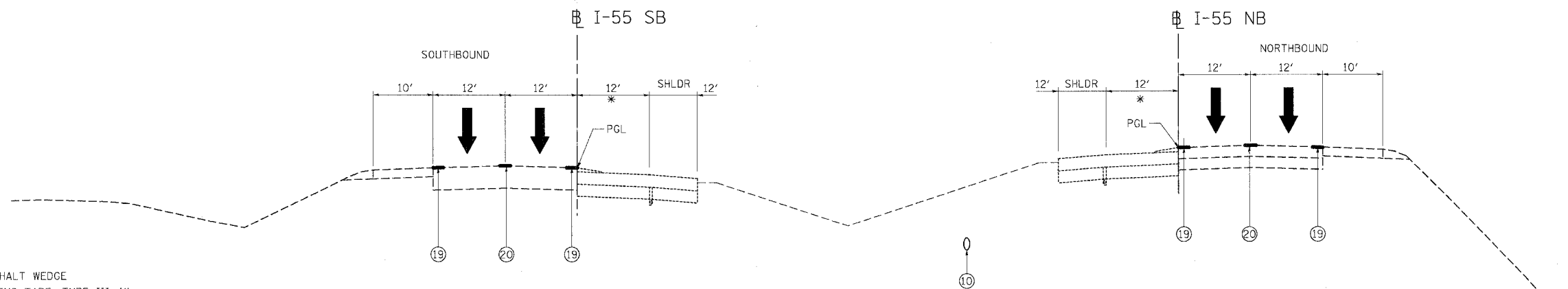
F.A.I. RTE.	SECTION	COUNTY	TOTAL SHEETS	SHEET NO.
55	99 (1&2) WRS	WILL	334	113
STA.		TO STA.		
FED. ROAD DIST. NO.		ILLINOIS	FED. AID PROJECT	



**SUGGESTED TYPICAL SECTION
WINTER SHUTDOWN**

STA. 190+15 TO STA. 210+81

* SEE NOTE 1



**SUGGESTED TYPICAL SECTION
WINTER SHUTDOWN**

STA. 186+03 TO STA. 190+15 SOUTHBOUND
STA. 187+28 TO STA. 190+15 NORTHBOUND

* SEE NOTE 1

LEGEND:

- ① TEMPORARY ASPHALT WEDGE
- ② PAVEMENT MARKING TAPE, TYPE III 4"
- ③ PAVEMENT MARKING TAPE, TYPE III 5" SKIP-DASH
- ④ BITUMINOUS SURFACE REMOVAL, 3 1/2"
- ⑤ POLYMERIZED HOT-MIX ASPHALT BINDER COURSE, SMA 1 3/4"
- ⑥ AGGREGATE SUBGRADE, 12"
- ⑦ HOT-MIX ASPHALT BASE COURSE
- ⑧ TRENCH BACKFILL
- ⑨ POLYMERIZED HOT-MIX ASPHALT SURFACE COURSE, SMA 1 3/4"
- ⑩ STORM SEWER
- ⑪ BARRIER BASE
- ⑫ CONCRETE BARRIER, DOUBLE FACE
- ⑬ DRUMS W/ STEADY BURN LIGHTS @ 100' C-C
- ⑭ CHECK DRUM W/ STEADY BURN LIGHTS @ 1000' C-C
- ⑮ BITUMINOUS SURFACE REMOVAL (VARIABLE DEPTH)
- ⑯ HOT-MIX ASPHALT SURFACE COURSE, MIX D, N70, 2"
- ⑰ TEMPORARY CONCRETE BARRIER
- ⑱ VERTICAL PANEL W/ STEADY BURN LIGHTS @ 100' C-C IN CURVES AND 200' C-C ON TANGENTS
- ⑲ EPOXY PAVEMENT MARKING - LINE 4"
- ⑳ EPOXY PAVEMENT MARKING - LINE 5" SKIP-DASH
- ㉑ PERMANENT THERMOPLASTIC PAVEMENT MARKING - LINE 4"

- ▨ PAVEMENT PATCHING (AS DIRECTED BY THE ENGINEER)
- ▨ BITUMINOUS SURFACE REMOVAL AND RESURFACING
- ▨ WORK AREA
- ↑ TRAFFIC FLOW

NOTES:

1. THE NEW INSIDE LANE SHALL BE STRIPED WITH 12" YELLOW DIAGONAL LINES SPACED AT 150' C-C USING EPOXY PAVEMENT MARKINGS. THE CONTRACTOR MAY ELECT TO USE EXTRUDED THERMOPLASTIC, PLACED IN ACCORDANCE WITH THE STANDARD SPECIFICATIONS, IN LIEU OF EPOXY PAVEMENT MARKING AT NO ADDITIONAL COST TO THE CONTRACT.

REVISIONS	
NAME	DATE

ILLINOIS DEPARTMENT OF TRANSPORTATION
FAI ROUTE 55 (I-80 TO BLACK ROAD)
WIDENING AND RESURFACING

**STAGING AND TRAFFIC CONTROL
FAI 55 - TYPICAL SECTIONS
WINTER SHUTDOWN**

SCALE: _____ DRAWN BY AG
DATE 02/23/07 CHECKED BY DDH

TENG TENG & ASSOCIATES, INC.
ENGINEERS/ARCHITECTS/PLANNERS
CHICAGO, ILLINOIS

PLOT DATE = 02/23/07
 FILE NAME = 021114
 PLOT SCALE = 1/8"=1'-0"
 USER NAME = BUSER8