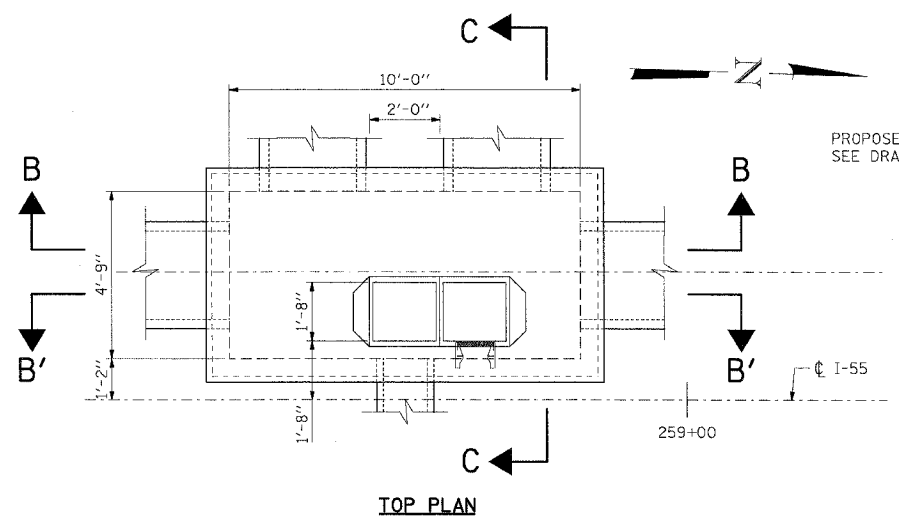
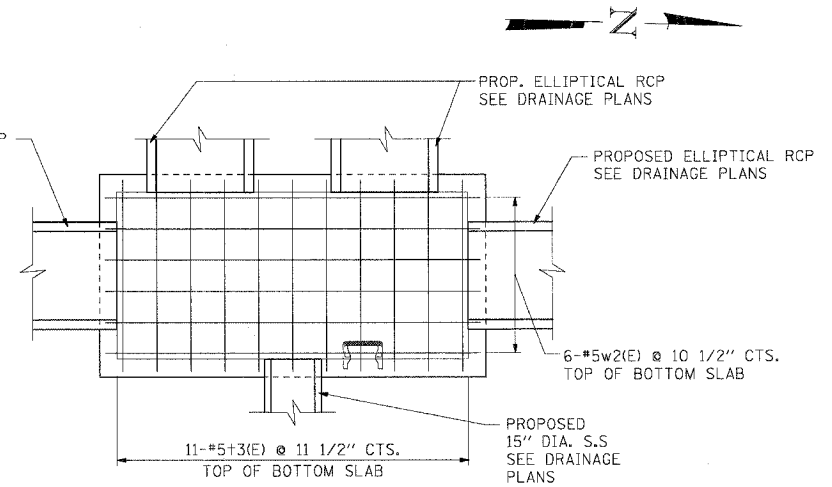


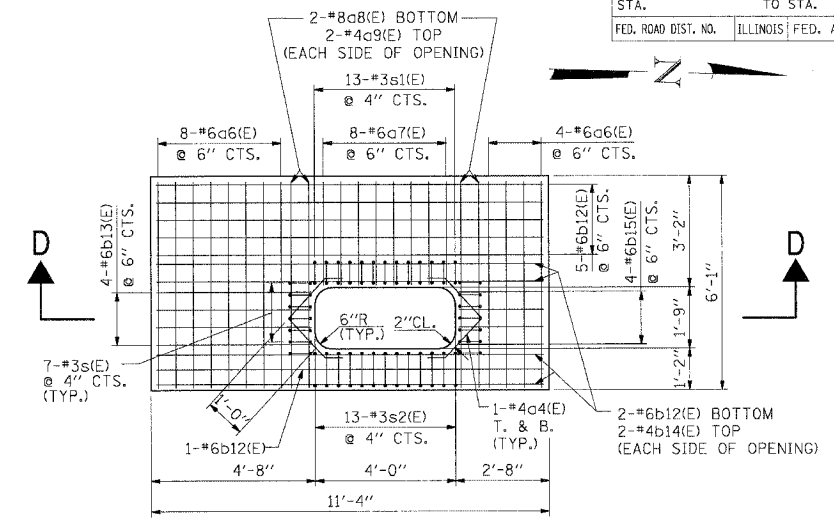
F.A.I. RTE.	SECTION	COUNTY	TOTAL SHEETS	SHEET NO.
55	99 (1&2) WRS	WILL	334	189
STA.	TO STA.			
FED. ROAD DIST. NO.	ILLINOIS	FED. AID PROJECT		



TOP PLAN

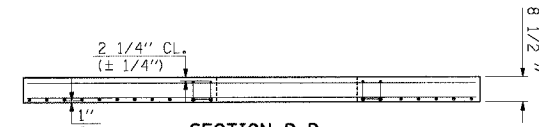


SECTIONAL PLAN E-E

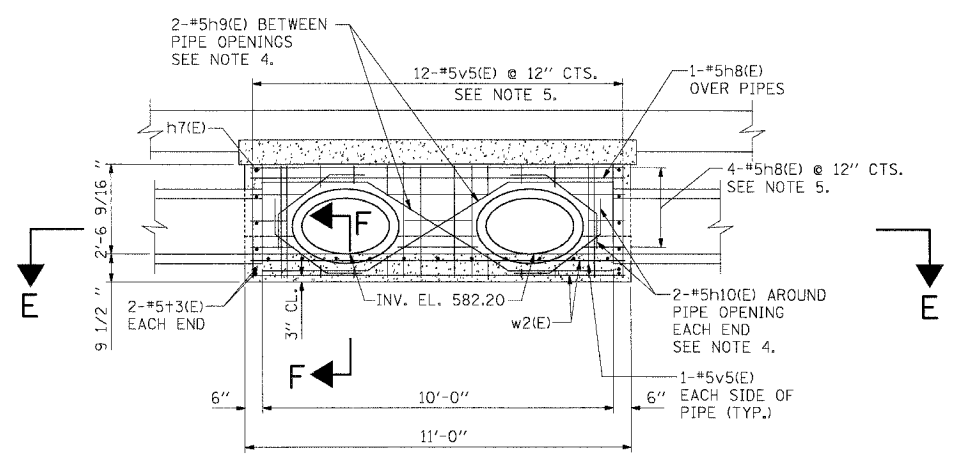


PLAN-REINFORCED LID

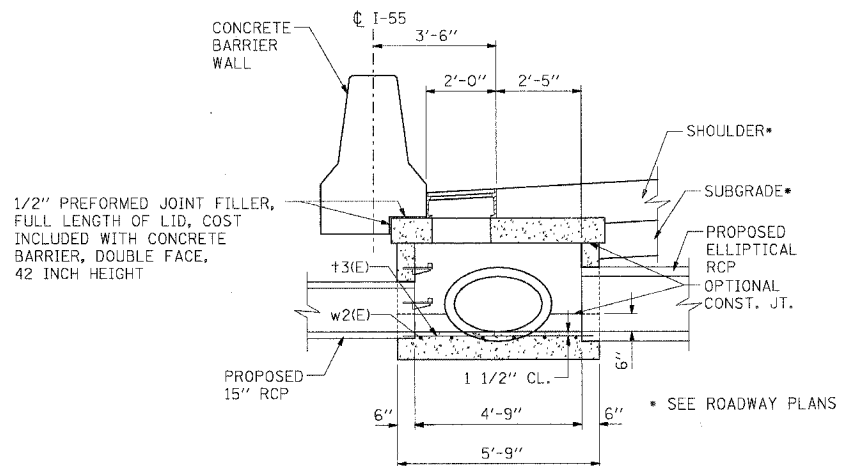
ALL BARS IN LID SHALL BE EPOXY COATED.
ALL BARS SHALL BE PLACED AT BOTTOM OF LID U.N.O.



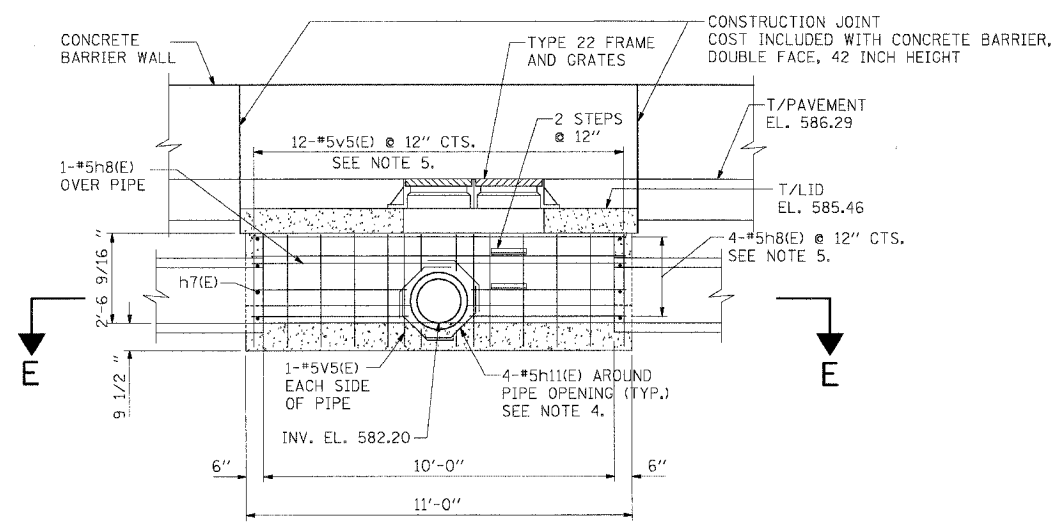
SECTION D-D
REINFORCED LID



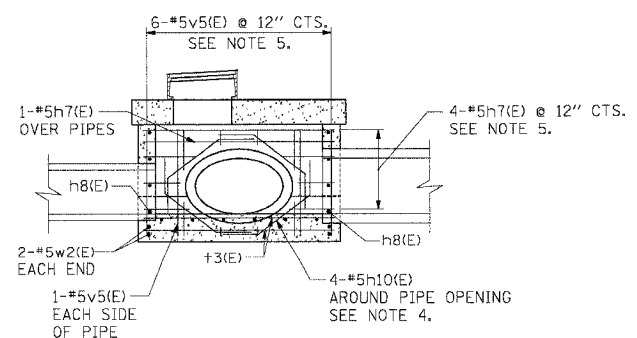
SECTION B-B



SECTION C-C
(SHOWING GEOMETRY)



SECTION B'-B'



SECTION C-C
(SHOWING WALL REINFORCEMENT)

- NOTES:**
1. WORK THIS SHEET WITH SHT. 193.
 2. T. & B. DENOTES TOP AND BOTTOM.
 3. ALL BARS DESIGNATED (E) SHALL BE EPOXY COATED.
 4. BEND BARS IN FIELD AS NECESSARY TO MAINTAIN CLEAR COVER.
 5. CUT BARS IN FIELD AS NECESSARY FOR PIPE OPENINGS.
 6. THE LID MAY BE PRECAST, BUT THE REST OF THE STRUCTURE SHALL BE CAST IN PLACE.
 7. PROVIDE 2" CLEAR COVER, EXCEPT AS NOTED FOR PRECAST LID AND AT BOTTOM OF BASE SLAB.

REVISIONS	
NAME	DATE

ILLINOIS DEPARTMENT OF TRANSPORTATION
FAI ROUTE 55 (1-80 TO BLACK ROAD)
WIDENING AND RESURFACING

DRAINAGE DETAILS - V
DRAINAGE STRUCTURE SPECIAL
STA. 258+92

SCALE: N.T.S. DRAWN BY: MOB
DATE: 02/23/07 CHECKED BY: MJK

TENG TENG & ASSOCIATES, INC.
ENGINEERS/ARCHITECTS/PLANNERS
CHICAGO, ILLINOIS

PLT DATE = 02/23/07
FILE NAME = 022307.DWG
PLOT SCALE = 1/8" = 1'-0"
USER NAME = MUSER