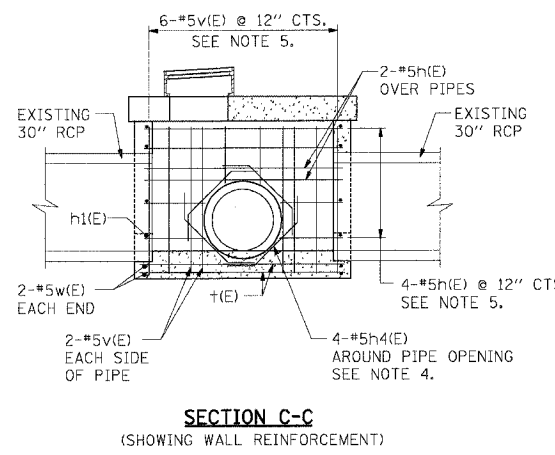
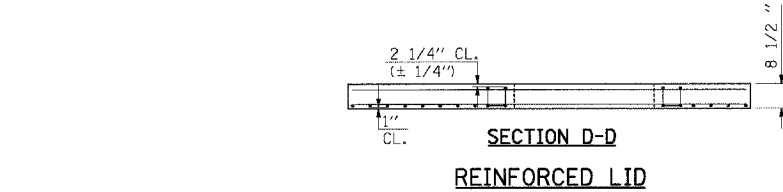
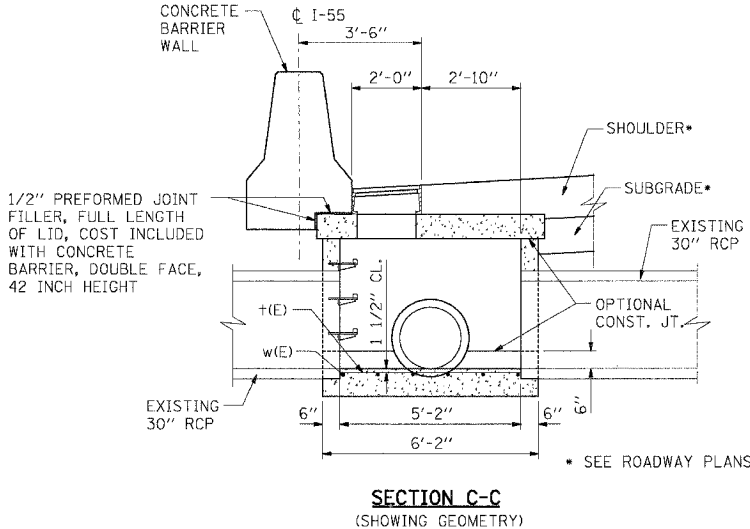
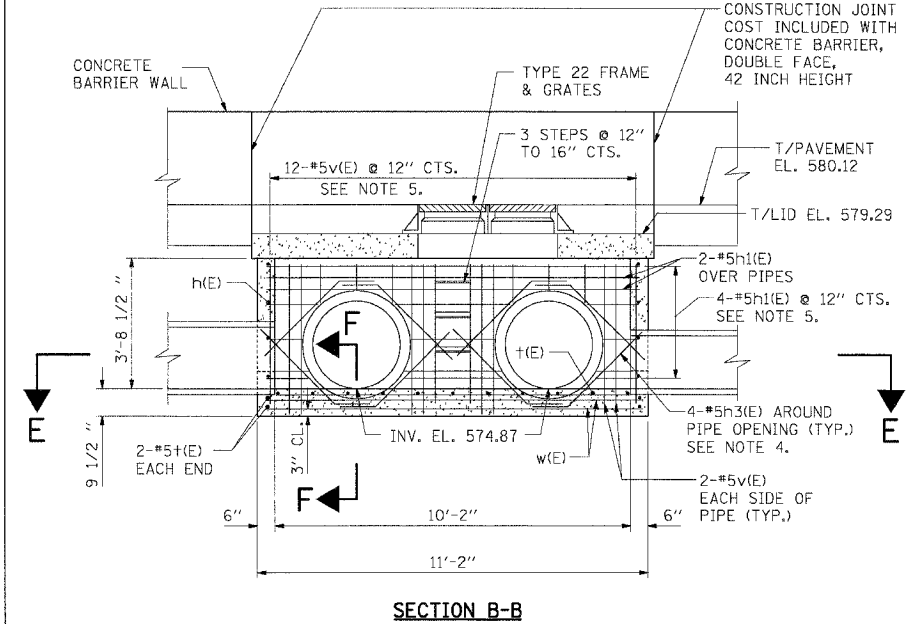
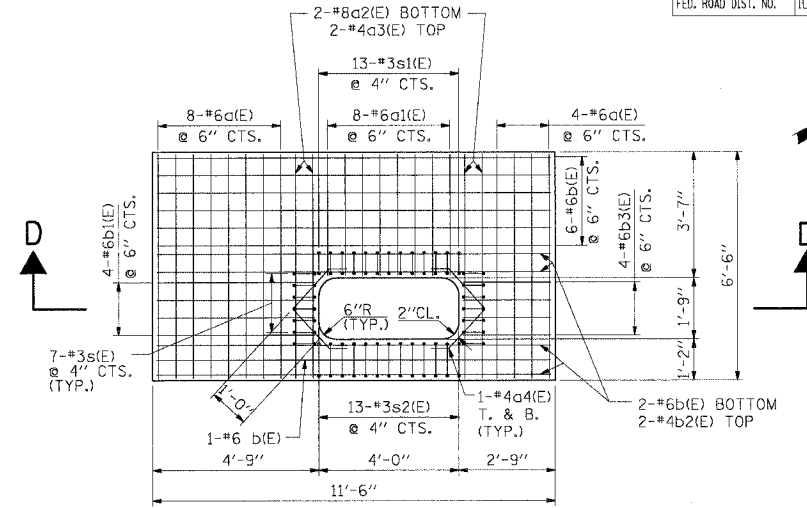
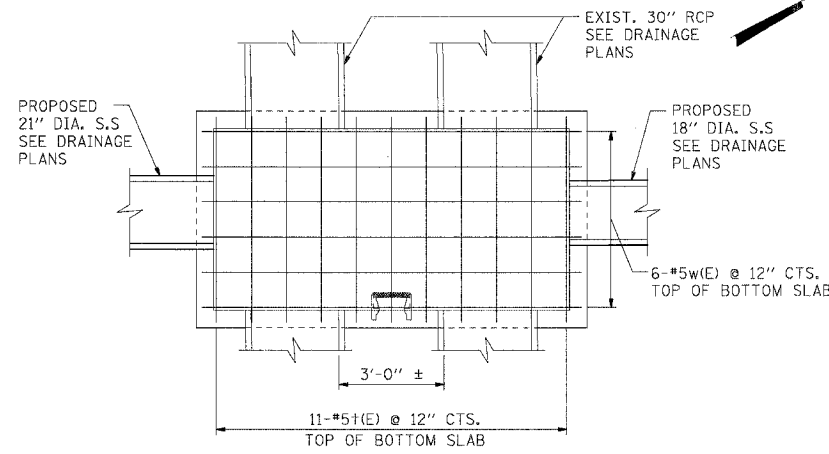
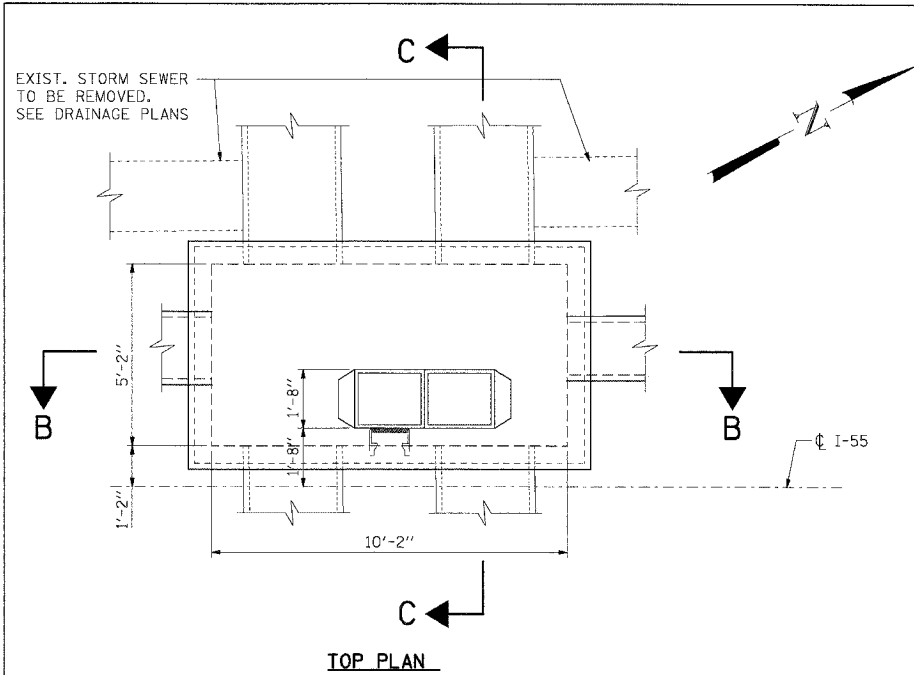


F.A.I. RTE.	SECTION	COUNTY	TOTAL SHEETS	SHEET NO.
55	99 (I&2) WRS	WILL	334	190
STA.	TO STA.			
FED. ROAD DIST. NO.	ILLINOIS FED. AID PROJECT			



- NOTES:**
1. WORK THIS SHEET WITH SHIT. 193.
  2. T. & B. DENOTES TOP AND BOTTOM.
  3. ALL BARS DESIGNATED (E) SHALL BE EPOXY COATED.
  4. BEND BARS IN FIELD AS NECESSARY TO MAINTAIN CLEAR COVER.
  5. CUT BARS IN FIELD AS NECESSARY FOR PIPE OPENINGS.
  6. EXISTING PIPES SHALL BE CUT AND REMOVED AS SHOWN. COST OF CUTTING, REMOVAL AND DISPOSAL SHALL BE INCLUDED IN THE CONTRACT UNIT PRICE FOR DRAINAGE STRUCTURE, SPECIAL.
  7. THE LID MAY BE PRECAST, BUT THE REST OF THE STRUCTURE SHALL BE CAST IN PLACE.
  8. PROVIDE 2" CLEAR COVER, EXCEPT AS NOTED FOR PRECAST LID AND AT BOTTOM OF BASE SLAB.

REVISIONS	
NAME	DATE

ILLINOIS DEPARTMENT OF TRANSPORTATION  
FAI ROUTE 55 (I-80 TO BLACK ROAD)  
WIDENING AND RESURFACING

**DRAINAGE DETAILS - VI  
DRAINAGE STRUCTURE SPECIAL  
STA. 363+33**

SCALE: N.T.S. DRAWN BY: MDB  
DATE: 02/23/07 CHECKED BY: MJK

**TENG**  
TENGG & ASSOCIATES, INC.  
ENGINEERS/ARCHITECTS/PLANNERS  
CHICAGO, ILLINOIS

PLOT DATE: # DATES  
FILE NAME: # FILE#  
PLOT SCALE: # SCALE#  
USER NAME: # USER#