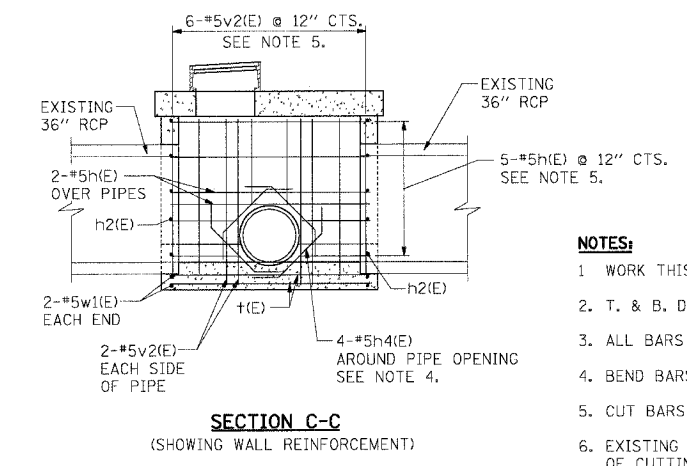
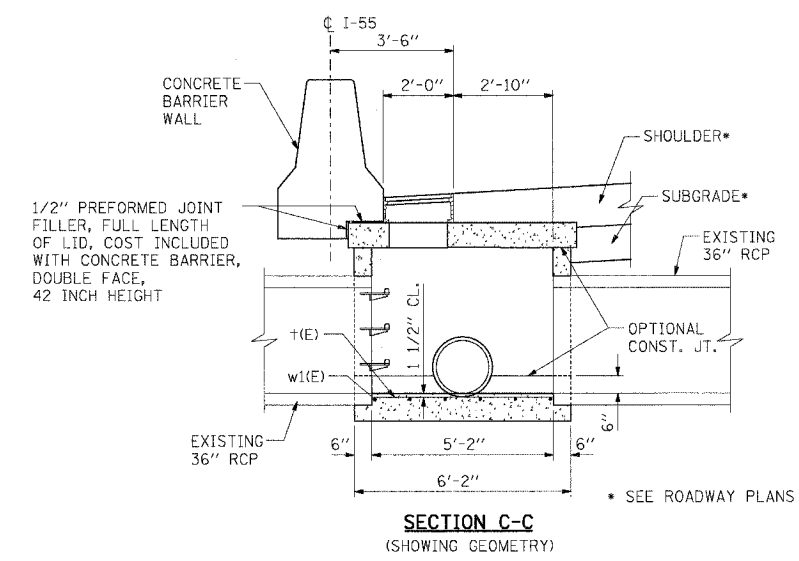
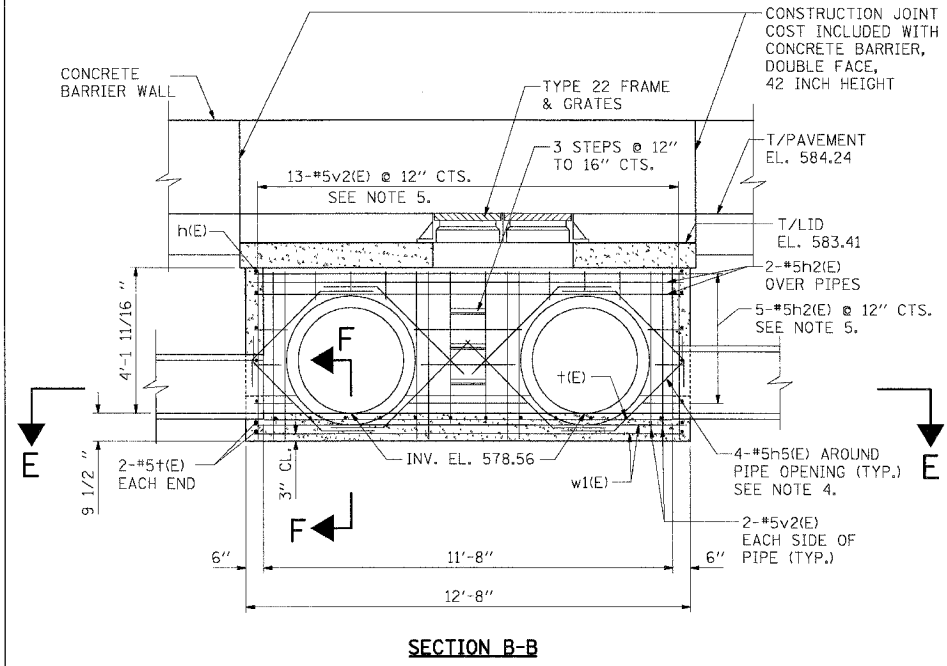
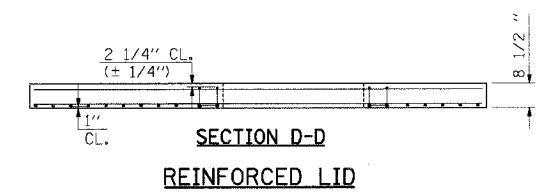
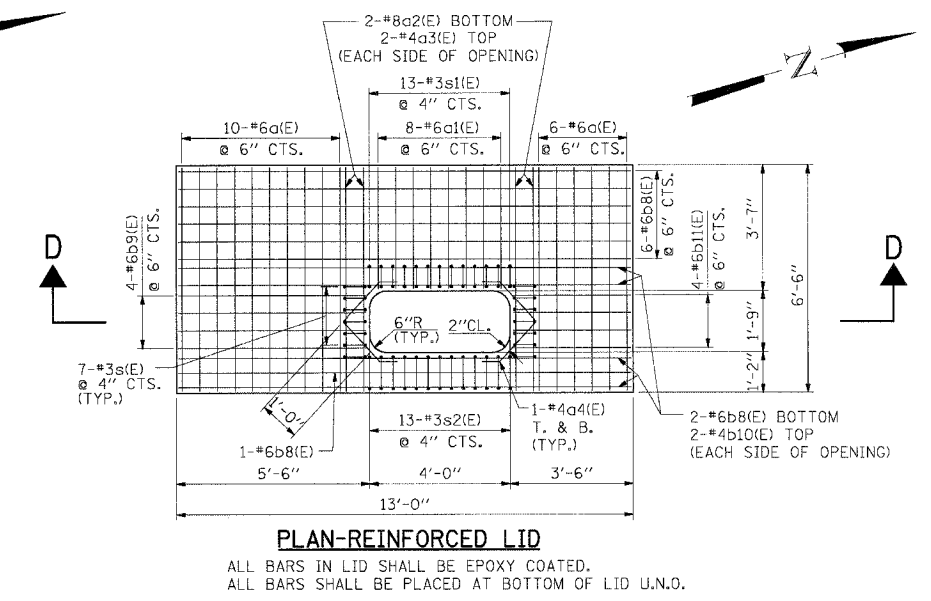
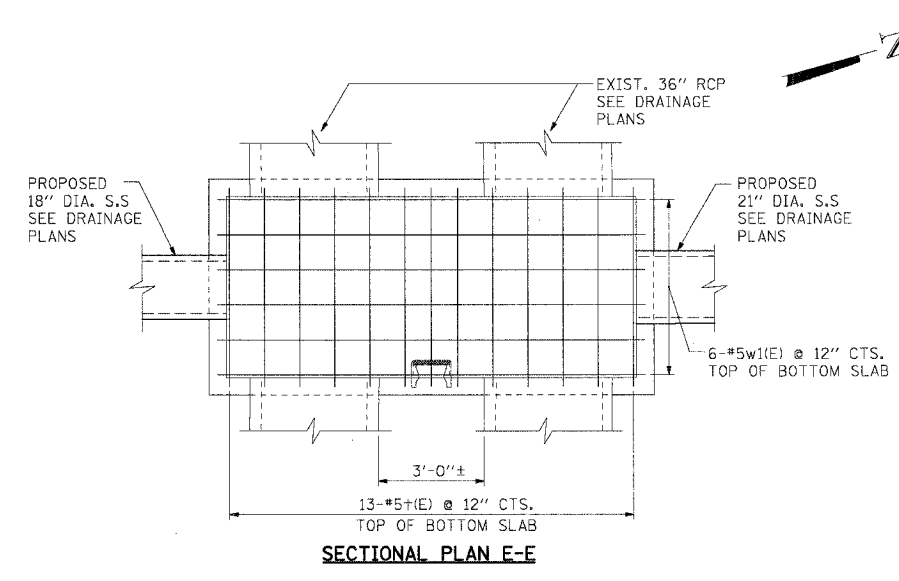
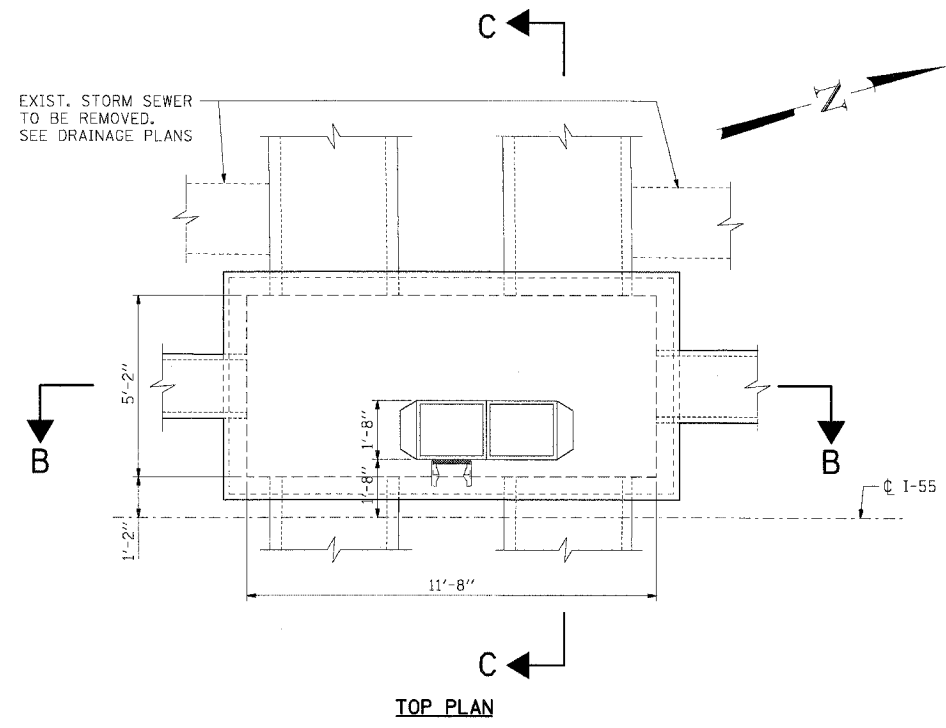


F.A.I. RTE.	SECTION	COUNTY	TOTAL SHEETS	SHEET NO.
55	99 (1&2) WRS	WILL	334	192
STA.	TO STA.			
FED. ROAD DIST. NO.	ILLINOIS FED. AID PROJECT			



- NOTES:**
1. WORK THIS SHEET WITH SHT. 193.
 2. T. & B. DENOTES TOP AND BOTTOM.
 3. ALL BARS DESIGNATED (E) SHALL BE EPOXY COATED.
 4. BEND BARS IN FIELD AS NECESSARY TO MAINTAIN CLEAR COVER.
 5. CUT BARS IN FIELD AS NECESSARY FOR PIPE OPENINGS.
 6. EXISTING PIPES SHALL BE CUT AND REMOVED AS SHOWN. COST OF CUTTING, REMOVAL AND DISPOSAL SHALL BE INCLUDED IN THE CONTRACT UNIT PRICE FOR DRAINAGE STRUCTURE, SPECIAL.
 7. THE LID MAY BE PRECAST, BUT THE REST OF THE STRUCTURE SHALL BE CAST IN PLACE.
 8. PROVIDE 2" CLEAR COVER, EXCEPT AS NOTED FOR PRECAST LID AND AT BOTTOM OF BASE SLAB.

REVISIONS	
NAME	DATE

ILLINOIS DEPARTMENT OF TRANSPORTATION
 FAI ROUTE 55 (I-80 TO BLACK ROAD)
 WIDENING AND RESURFACING

**DRAINAGE DETAILS - VIII
 DRAINAGE STRUCTURE SPECIAL
 STA. 395+85**

SCALE: N.T.S. DRAWN BY: MDB
 DATE: 02/23/07 CHECKED BY: MJK

TENG TENG & ASSOCIATES, INC.
 ENGINEERS/ARCHITECTS/PLANNERS
 CHICAGO, ILLINOIS

PLOT DATE = 02/23/07
 FILE NAME = 022307.DWG
 PLOT SCALE = 1/8"=1'-0"
 USER NAME = JWB