

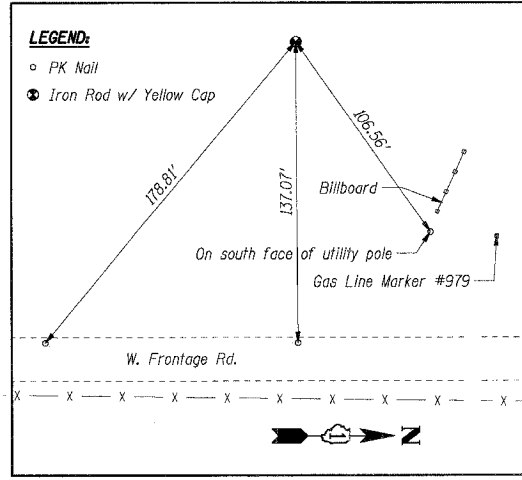
F.A.I. RTE.	SECTION	COUNTY	TOTAL SHEETS	SHEET NO.
55	99 (1&2) WRS	WILL	334	258
STA.		TO STA.		
FED. ROAD DIST. NO.		ILLINOIS FED. AID PROJECT		

GENERAL NOTES

1. Reinforcement Bars shall conform to the requirements of ASTM A 706 Gr 60 (IL Modified). See Special Provisions.
2. Reinforcement bars designated (E) shall be epoxy coated.
3. Bearing seat surfaces shall be constructed or adjusted to the designated elevations within a tolerance of 1/8 inch. Adjustment shall be made by grinding the surface.
4. Concrete Sealer shall be applied to the designated areas of the pier.

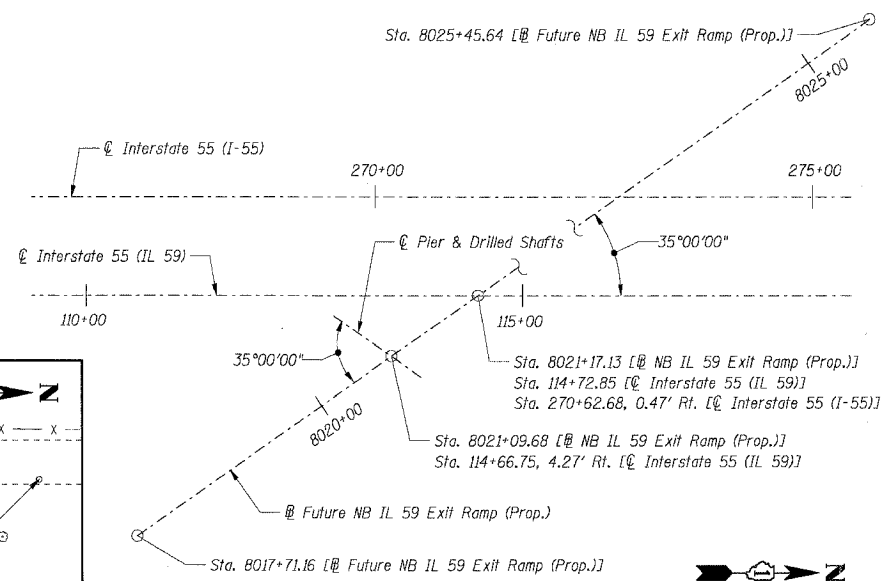
INDEX OF SHEETS

- 1 GENERAL PLAN AND ELEVATION
- 2 GENERAL NOTES, INDEX OF SHEETS; AND TOTAL BILL OF MATERIAL
- 3 SUBSTRUCTURE LAYOUT; DRILLED SHAFT DETAILS AND SCHEDULE
- 4 PIER
- 5 SOIL BORING LOGS 1
- 6 SOIL BORING LOGS 2



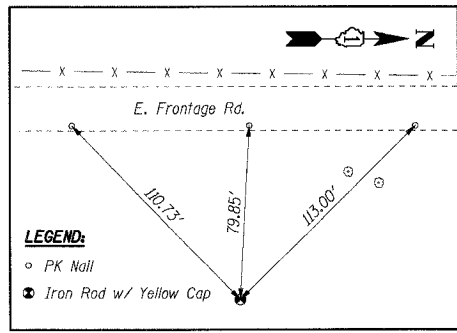
BILL OF MATERIAL - S.N. 099-4642

Item	Unit	Sub	Super	Total
Structure Excavation	Cu Yd	58	-	58
Concrete Structures	Cu Yd	60.2	-	60.2
Reinforcement Bars	Lbs	7,110	-	7,110
Reinforcement Bars, Epoxy Coated	Lbs	18,720	-	18,720
Temporary Soil Retention System	Sq Ft	382	-	382
Name Plates	Each	1	-	1
Drilled Shaft in Soil	Cu Yd	27.3	-	27.3
Drilled Shaft in Rock	Cu Yd	3.0	-	3.0
Concrete Sealer	Sq Ft	1,028	-	1,028



ALIGNMENT CONTROL POINT - STA. 8025+45.64

At Sta. 274+12.62, 245.34' Lt. [I-55]



INTERSTATE 55 (IL 59) ALIGNMENT SKETCH

(NOT TO SCALE)

ALIGNMENT CONTROL POINT - STA. 8017+71.16

At Sta. 267+79.31, 198.89' Rt. [I-55]

ELEVATIONS SHOWN ON SHEETS 257 THRU 262 ARE BASED ON NGVD 29 VERTICAL DATUM, WHILE ALL OTHER CONTRACT 62895 ELEVATIONS ARE BASED ON NAVD 88 VERTICAL DATUM. ELEVATIONS SHOWN ON SHEETS 257 THRU 262 MUST BE CONVERTED TO NAVD 88 VERTICAL DATUM BY SUBTRACTING 0.31 FEET FROM ELEVATIONS DENOTED.

FOR EXAMPLE:
ON SHT. 257 [C BRG. PIER, STA. 8021+09.68, EL. 623.44 (NGVD 29)]
CONVERT: EL. 623.44 (NGVD 29)
- 0.31
EL. 623.13 (NAVD 88)
USE EL. 623.13

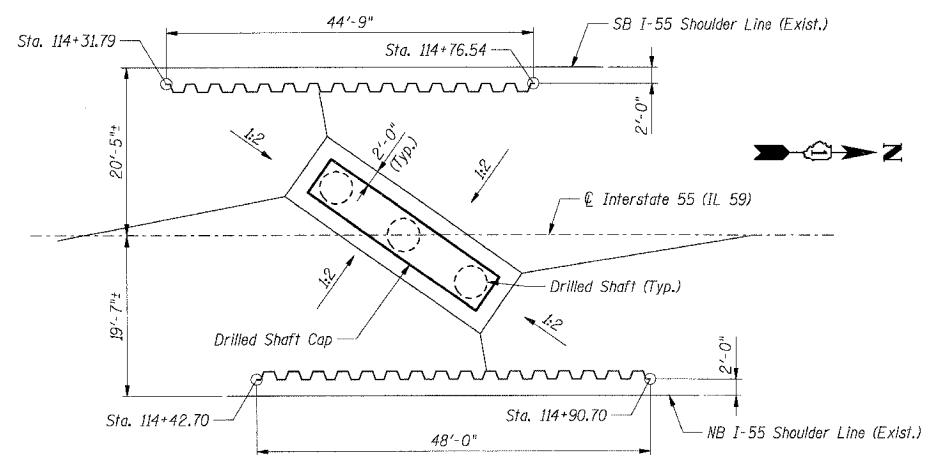
FUTURE NB IL 59 EXIT RAMP (PROP.) ALIGNMENT CONTROL POINTS

(See Note 2)

Alignment	Station	Offset	Northing	Easting
NB IL 59 Exit Ramp (Prop.)	8017+71.16	0.00	1761260.12	1021501.93
NB IL 59 Exit Ramp (Prop.)	8025+45.64	0.00	1761880.44	1021038.37

Notes:

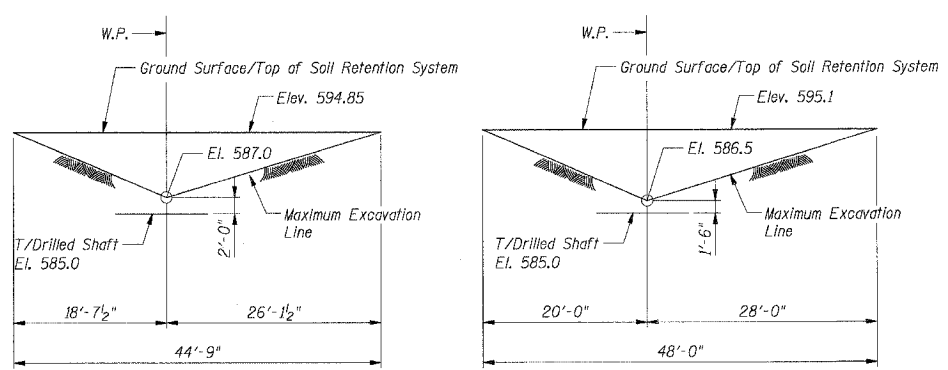
1. Interstate 55 Stations shown on Sheets 257 thru 262 are based on the alignment defined on this sheet and denoted as I-55 (IL 59), while all other Contract 62895 Interstate 55 stations are based on the alignment defined on sheets 34 thru 42 and denoted as I-55 (I-55) on this sheet.
2. Northings and Eastings indicated are based on the horizontal control system for this contract (Contract 62895).



TEMPORARY SOIL RETENTION SYSTEM PLAN

LEGEND:

Temporary Soil Retention System



AT SB I-55 (Looking West)

AT NB I-55 (Looking East)

TEMPORARY SOIL RETENTION SYSTEM ELEVATIONS

A cantilevered sheet piling design does not appear feasible and additional members or other retention systems may be necessary. The Contractor shall submit a temporary soil retention system design including plan details and calculations for review and acceptance by the Engineer.

STATION 114+72.85
BUILT 20__ BY
STATE OF ILLINOIS
F.A.I. RT. 55 SEC. 26HB-1BR & 114R-1
LOADING HS20
STR. NO. 099-4642

NAME PLATE

See Std. 515001
See Sht. 4 of 6 for location.

SHT. 2 OF 6

REVISIONS	
NAME	DATE

ILLINOIS DEPARTMENT OF TRANSPORTATION
FAI ROUTE 55 (I-80 TO BLACK ROAD)
WIDENING AND RESURFACING
IL ROUTE 59 OVER I-55, S.N. 099-4642
STA. 8021+17.13, SECTION 26HB-1BR & 114R-1
WILL COUNTY

GENERAL NOTES, INDEX OF SHEETS & TOTAL BILL OF MATERIAL

SCALE: DRAWN BY TMH
DATE 02/23/07 CHECKED BY MJK

TENG TENG & ASSOCIATES, INC.
ENGINEERS/ARCHITECTS/PLANNERS
CHICAGO, ILLINOIS

PLOT DATE = 02/23/07
 PLOT SCALE = AS SHOWN
 USER NAME = MJB
 \\GENRYS\WORK\2007\0223\PROJECT\DRAWING\0223\0223.DWG
 2-28-2007 10:17:33
 S:\DOCUMENT\0223\0223\PROJECT\DRAWING\0223\0223.DWG