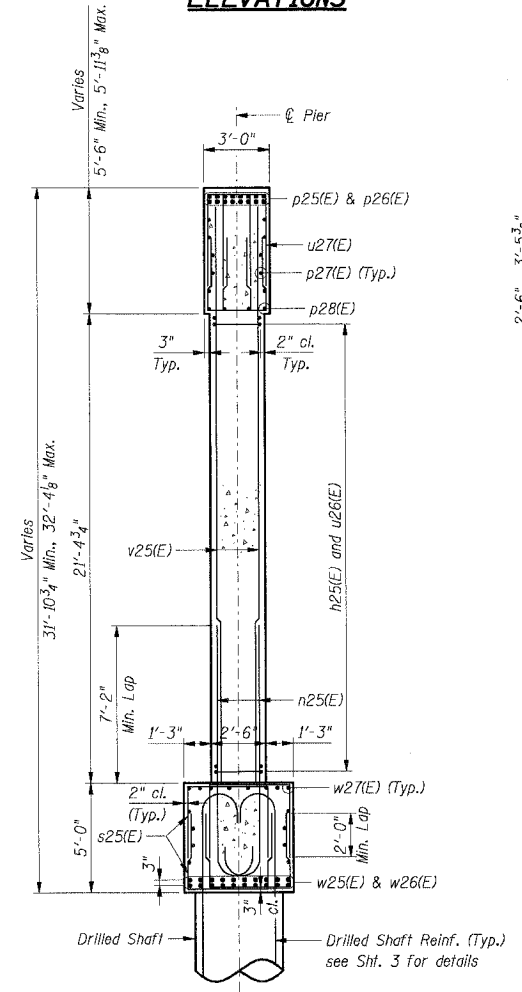
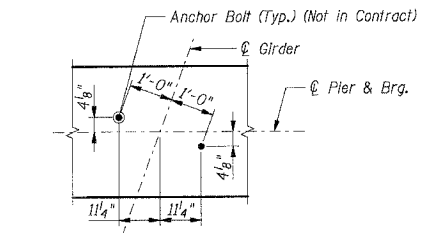
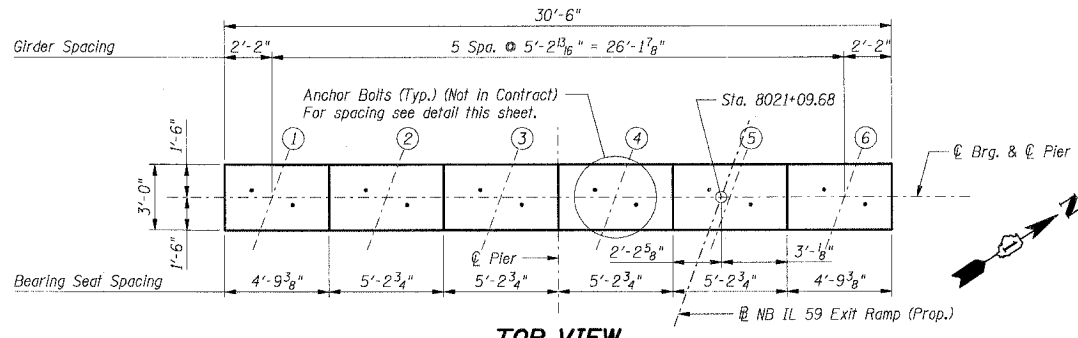


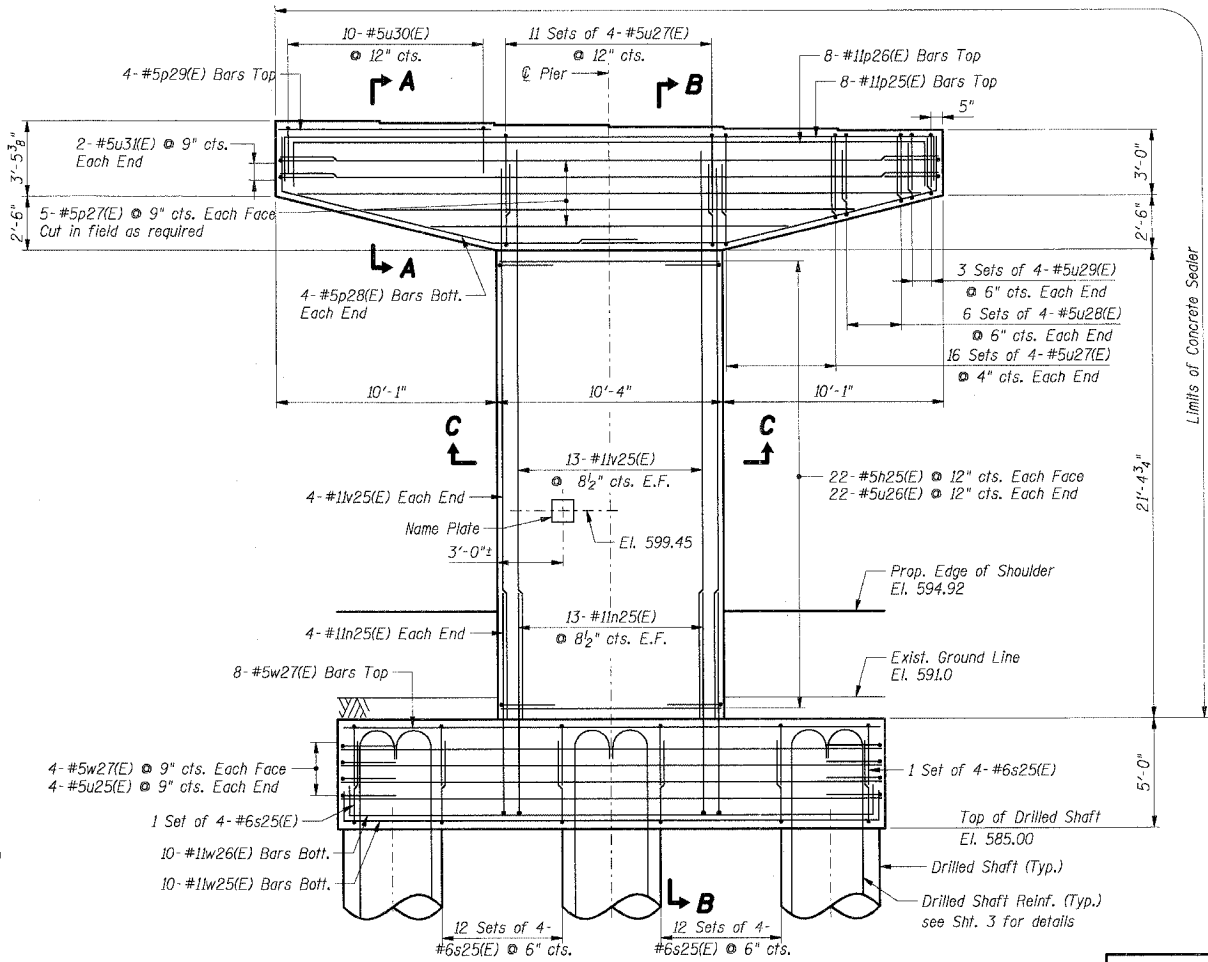
F.A.I. RTE.	SECTION	COUNTY	TOTAL SHEETS	SHEET NO.
55	99 (I&2) WRS	WILL	334	260
STA.		TO STA.		
FED. ROAD DIST. NO.		ILLINOIS FED. AID PROJECT		

Girder	Elevation
1	617.35
2	617.25
3	617.16
4	617.07
5	616.98
6	616.90

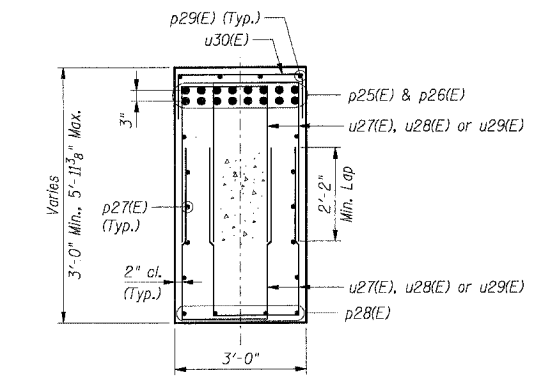
BEARING SEAT ELEVATIONS



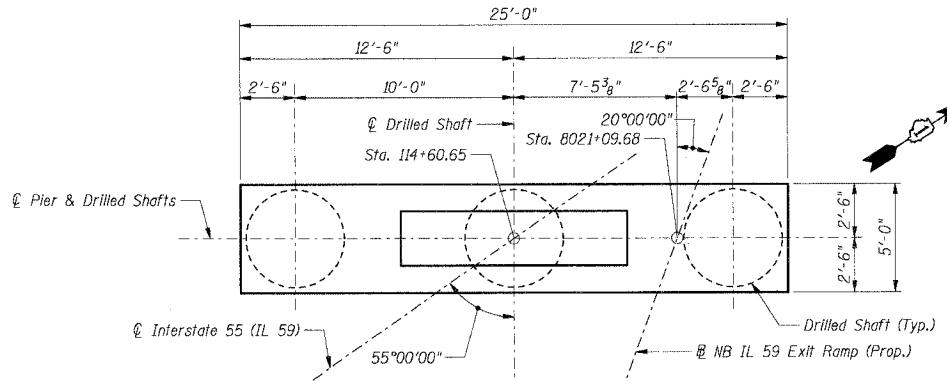
SECTION B-B



ELEVATION (Looking North)



SECTION A-A



FOOTING PLAN

ELEVATIONS SHOWN ON SHEETS 257 THRU 262 ARE BASED ON NGVD 29 VERTICAL DATUM, WHILE ALL OTHER CONTRACT 62895 ELEVATIONS ARE BASED ON NAVD 88 VERTICAL DATUM. ELEVATIONS SHOWN ON SHEETS 257 THRU 262 MUST BE CONVERTED TO NAVD 88 VERTICAL DATUM BY SUBTRACTING 0.31 FEET FROM ELEVATIONS DENOTED.

FOR EXAMPLE:
ON SHT. 257 [@ BRG. PIER, STA. 8021+09.68, EL. 623.44 (NGVD 29)]
CONVERT: EL. 623.44 (NGVD 29)
- 0.31
EL. 623.13 (NAVD 88)
USE EL. 623.13

Bars

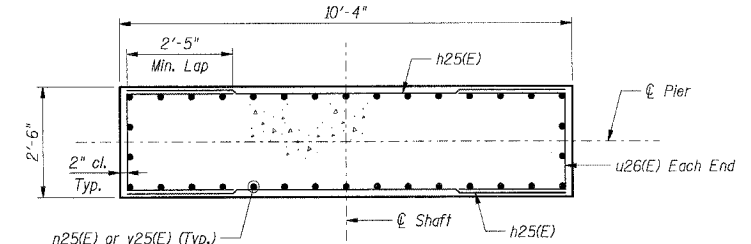
Bar	A	B
p25(E)	30'-0"	2'-0"
p26(E)	29'-6"	2'-0"
s25(E)	3'-9"	3'-4"
u25(E)	4'-6"	2'-5"
u26(E)	2'-2"	2'-5"
u27(E)	2'-0"	3'-8"
u28(E)	2'-0"	3'-0"
u29(E)	2'-0"	2'-8"
u30(E)	2'-8"	2'-0"
u31(E)	2'-6"	2'-5"
v25(E)	34	#11
w25(E)	10	#11
w26(E)	10	#11
w27(E)	16	#5

BAR LIST

Bar	No.	Size	Length	Shape
h25(E)	44	#5	10'-0"	
n25(E)	34	#11	13'-1"	
p25(E)	8	#11	34'-0"	
p26(E)	8	#11	33'-6"	
p27(E)	10	#5	30'-2"	
p28(E)	8	#5	19'-3"	
p29(E)	4	#5	9'-8"	
s25(E)	104	#6	10'-5"	
u25(E)	8	#5	9'-4"	
u26(E)	44	#5	7'-0"	
u27(E)	172	#5	9'-4"	
u28(E)	48	#5	8'-0"	
u29(E)	24	#5	7'-4"	
u30(E)	10	#5	6'-8"	
u31(E)	4	#5	7'-4"	
v25(E)	34	#11	26'-1"	
w25(E)	10	#11	28'-6"	
w26(E)	10	#11	28'-0"	
w27(E)	16	#5	24'-8"	

BILL OF MATERIAL

Item	Unit	Total
Structure Excavation	Cu Yd	58
Concrete Structures	Cu Yd	60.2
Reinforcement Bars, Epoxy Coated	Lbs	18,720
Concrete Sealer	Sq Ft	1,028



SECTION C-C

SHT. 4 OF 6

REVISIONS

NAME	DATE

ILLINOIS DEPARTMENT OF TRANSPORTATION
FAI ROUTE 55 (I-80 TO BLACK ROAD)
WIDENING AND RESURFACING
IL ROUTE 59 OVER I-55, S.N. 099-4642
STA. 8021+17.13, SECTION 26HB-1BR & 114R-1
WILL COUNTY

PIER

SCALE: DRAWN BY TMH
DATE 02/23/07 CHECKED BY MJK
TENG TENG & ASSOCIATES, INC.
ENGINEERS/ARCHITECTS/PLANNERS
CHICAGO, ILLINOIS

PLOT DATE = 02/23/07
 FILE NAME = 022307.DGN
 PLOT SCALE = 1/8"=1'-0"
 USER NAME = JMB
 S:\DOCUMENT\022307\STRUCT\022307.DGN\022307.PLT