

F.A.I. RTE.	SECTION	COUNTY	TOTAL SHEETS	SHEET NO.
55	99 (1&2) WRS	WILL	334	264
STA.		TO STA.		
FED. ROAD DIST. NO.		ILLINOIS		FED. AID PROJECT

BAR LIST

Bar	No.	Size	Length	Shape
d(E)	48	#5	2'-4"	—
d1(E)	124	#5	1'-10"	—
h2(E)	8	#4	12'-3"	—
h3(E)	8	#4	13'-0"	—
s(E)	56	#4	8'-11"	—
u(E)	12	#5	9'-0"	—
v(E)	108	#5	5'-9"	—

TOTAL BILL OF MATERIAL

Item	Unit	Total
Structure Excavation	Cu Yd	4
Concrete Structures	Cu Yd	21.4
Reinforcement Bars, Epoxy Coated	Lb	2,770
Concrete Sealer	Sq Ft	1,143

** Quantity includes top and side surfaces of new concrete.



DATE 11 30 07
EXP. 11 30 08

GENERAL NOTES

- Plan dimensions and details relative to existing structure have been taken from existing plans and are subject to nominal construction variations. It shall be the Contractor's responsibility to verify such dimensions and details in the field and make necessary approved adjustments prior to construction or ordering of materials. Such variations shall not be cause for additional compensation for a change in the scope of the work, however, the Contractor will be paid for the quantity actually furnished at the unit price for the work.
- All construction joints shall be bonded.

ILLINOIS DEPARTMENT OF TRANSPORTATION
FAT ROUTE 55 (I-80 TO BLACK ROAD)
WIDENING AND RESURFACING
US 52 OVER I-55, S.N. 099-0139
STA. 699+73.55, SECTION 99 (1&2) WRS
WILL COUNTY

PIER 2

SCALE: DATE 02/23/07 DRAWN BY KK CHECKED BY MJK

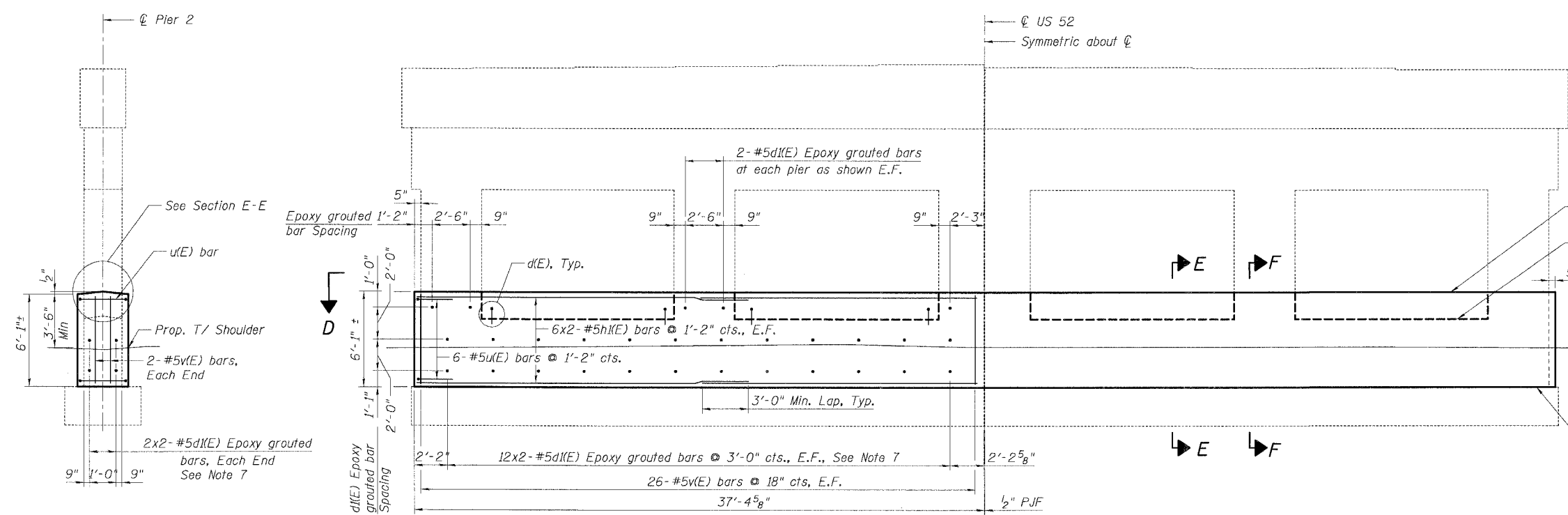


TENG & ASSOCIATES, INC.
ENGINEERS/ARCHITECTS/PLANNERS
CHICAGO, ILLINOIS

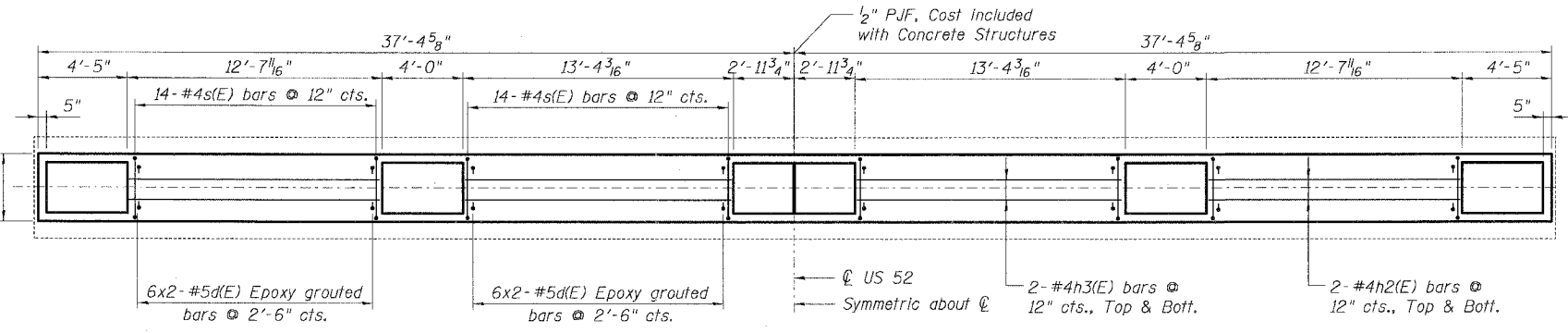
SHT. 1 OF 1

REVISIONS	
NAME	DATE

MORCOM, N.V., INC.
CONSULTING ENGINEERS
CHICAGO, ILLINOIS

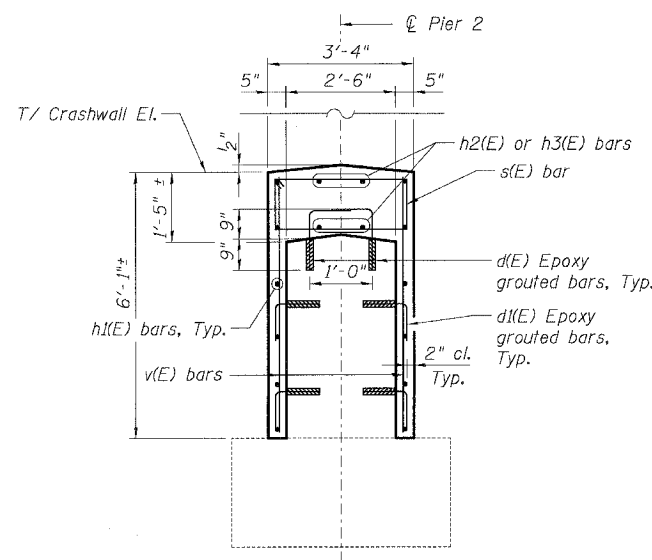


ELEVATION

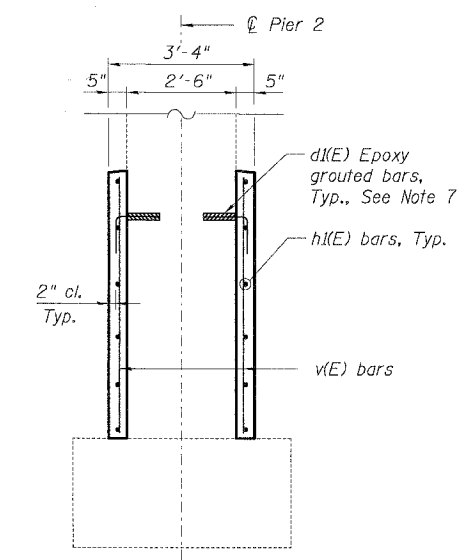


PLAN SECTION D-D

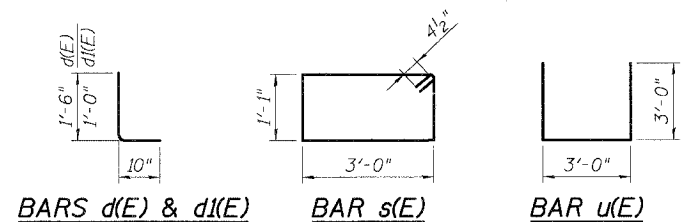
END VIEW



SECTION E-E
(between columns)



SECTION F-F
(at columns)



Notes:

- E.F denotes Each Face.
- All edges shall have 3/4" chamfer unless noted otherwise.
- Bars designated (E) shall be epoxy coated.
- Bars indicated thus 3x2-#5 etc. indicates 3 lines of bars with 2 lengths per line.
- Minimum embedment depth of 9" shall be provided for epoxy grouted bars.
- Epoxy grouted bars shall be in accordance with Article 584 of the Standard Specifications. Cost included with Reinforcement Bars, Epoxy Coated.
- Contractor shall ensure that vertical bars in pier columns are not damaged. Any damage to existing vertical bars in pier columns shall be repaired. Repairs shall be made as directed by the Engineer.

PLOT DATE = 02/23/07
 FILE NAME = 022307.DWG
 PLOT SCALE = 1/8"=1'-0"
 USER NAME = mjkm