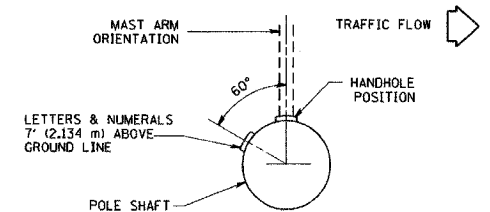
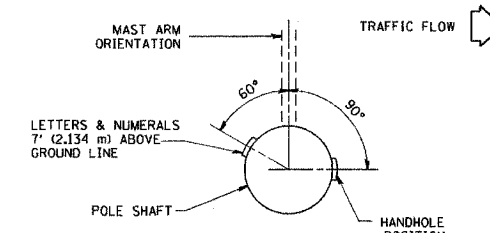


F.A. RTE.	SECTION	COUNTY	TOTAL SHEETS	SHEET NO.
55	99(112) WRS	WILL	334	270
STA.		TO STA.		
FED. ROAD DIST. NO.		ILLINOIS FED. AID PROJECT		

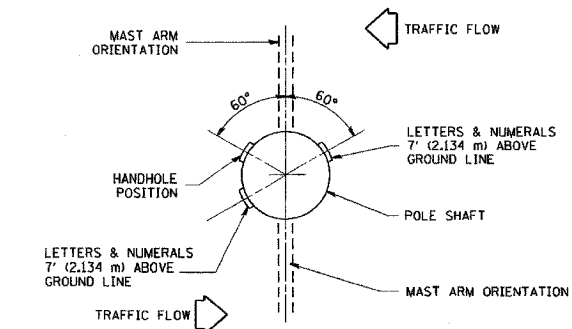
- NOTES:**
- ALL DIMENSIONS ARE IN INCHES (MILLIMETERS) UNLESS OTHERWISE SHOWN.
  - MOUNTING HEIGHT IS DEFINED AS THE DISTANCE FROM THE CENTERLINE OF THE TENON TO THE BOTTOM OF THE ANCHOR BASE.
  - TWO PIECE SHAFT WILL BE MATCHED MARKED AND INTERCHANGEABLE BETWEEN DIFFERENT UNITS. FIELD DRILLING OF THE HOLES WILL NOT BE ALLOWED.
  - THE LIGHT POLE WILL MEET AASHTO DESIGN CRITERIA AS SPECIFIED.
  - THE INSTALLING CONTRACTOR WILL PROVIDE A UL LISTED GROUNDING CONNECTOR, BURNDY K2C23, T&B SP4DL OR APPROVED EQUAL.
  - LIGHT POLES WILL NOT BE INSTALLED WITHOUT MAST ARMS AND LUMINAIRES.
  - LIGHT POLES WILL BE SET PLUMB ON THE FOUNDATION WITHOUT THE USE OF LEVELING NUTS, WASHERS OR SHIMS.
  - LIGHTING UNIT IDENTIFICATION NUMBERS SHALL BE INSTALLED BEFORE THE LIGHTING UNIT IS ENERGIZED.



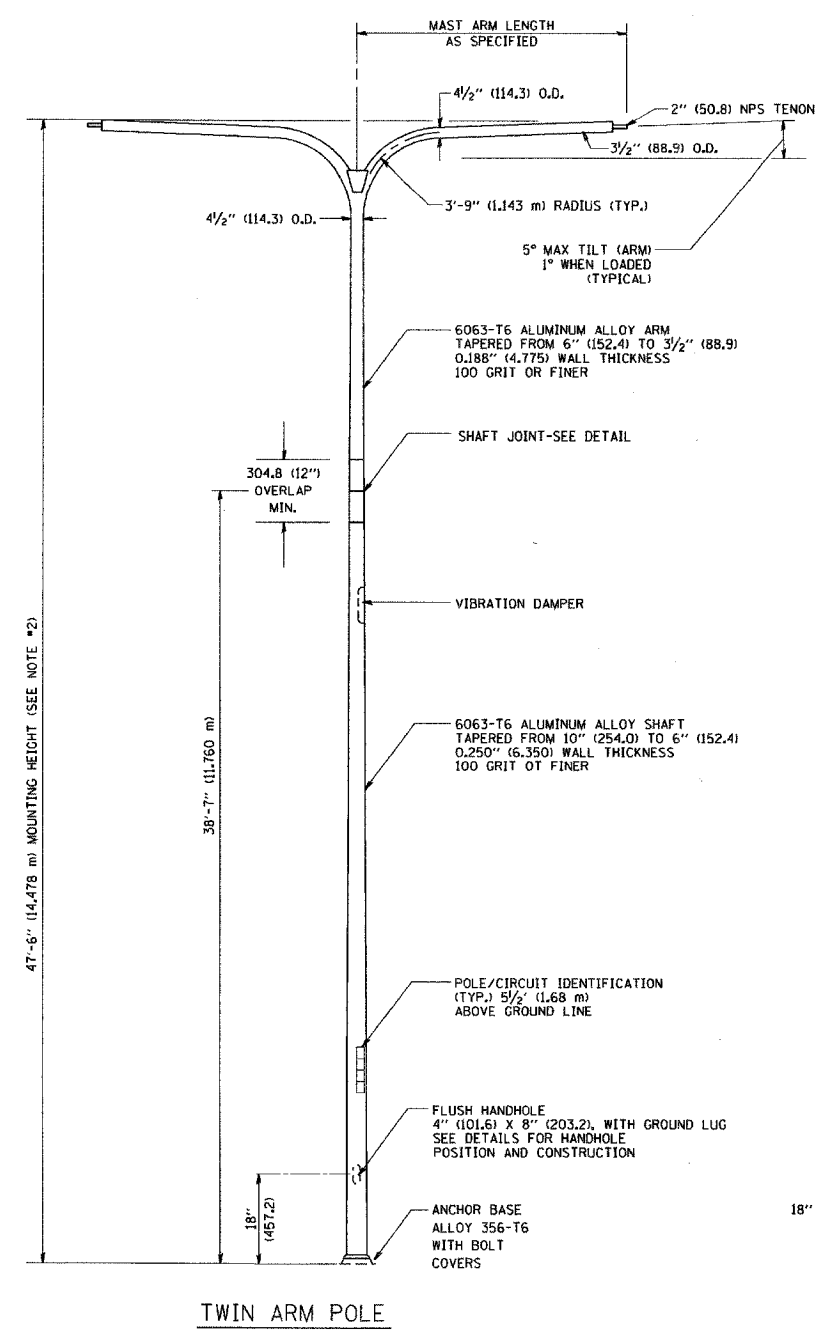
**POSITION OF HANDHOLE AND POLE NUMBER FOR SINGLE MAST ARM POLES MOUNTED ON BRIDGE PARAPET OR BARRIER WALL**



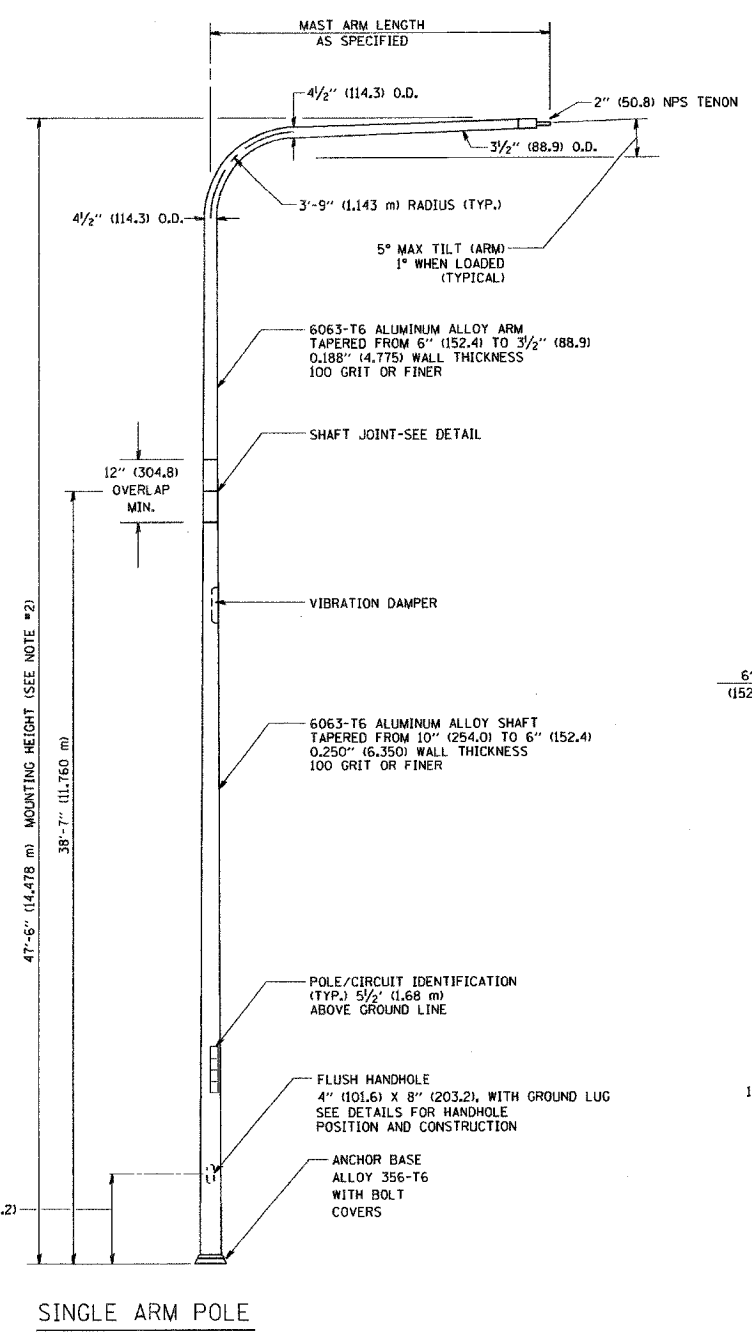
**POSITION OF HANDHOLE AND POLE NUMBER FOR SINGLE MAST ARM POLES**



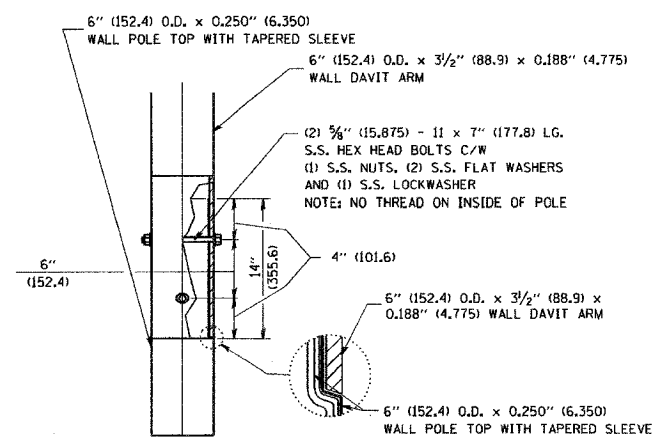
**POSITION OF HANDHOLE AND POLE NUMBER FOR TWIN MAST ARM POLES**



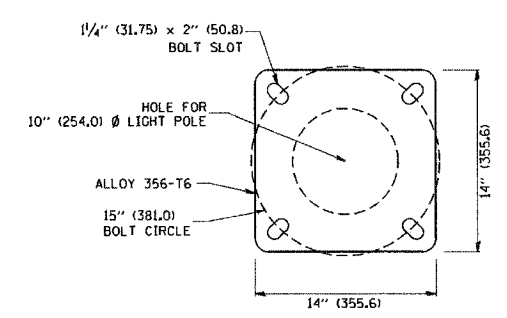
**TWIN ARM POLE**



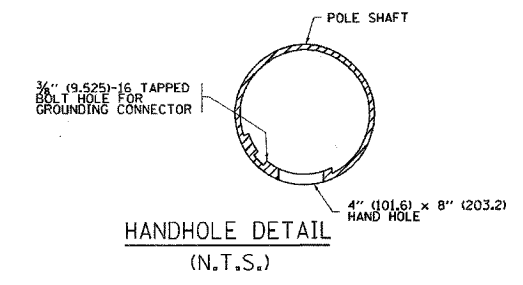
**SINGLE ARM POLE**



**DAVIT ARM CONNECTION**  
[14" (355.6) OVERLAP SHOWN]



**LIGHT POLE BASE PLATE DETAIL**  
(FOR POLE MOUNTED ON 15 INCH (381.0) BOLT CIRCLE FOUNDATION)



REVISIONS	
NAME	DATE
D. DREW	4-2-92
D. DREW	5-7-92
R. TOMSONS	9-6-00
R. TOMSONS	8-12-03

ILLINOIS DEPARTMENT OF TRANSPORTATION

**DAVIT LIGHT POLE**  
47' - 6" (14.478 m)  
MOUNTING HEIGHT

SCALE: NONE  
DATE: 1/16/2007

DRAWN BY LEY  
CHECKED BY BE-410  
REVISION DATE: 01/01/07

PLOT DATE = 1/16/2007  
PLOT SCALE = 1/8" = 1'-0"  
PLOT USER = ulrichk