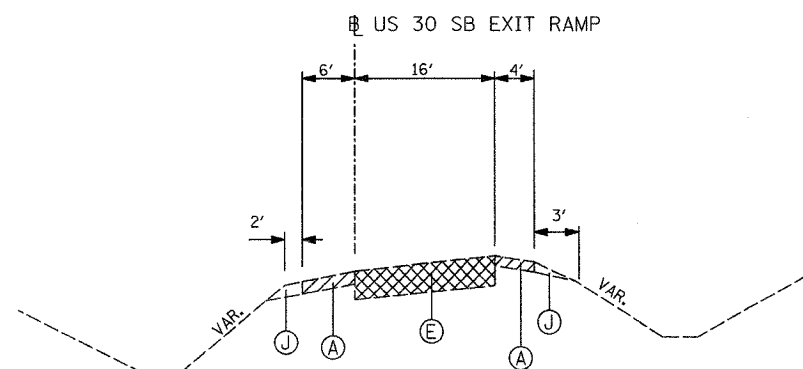
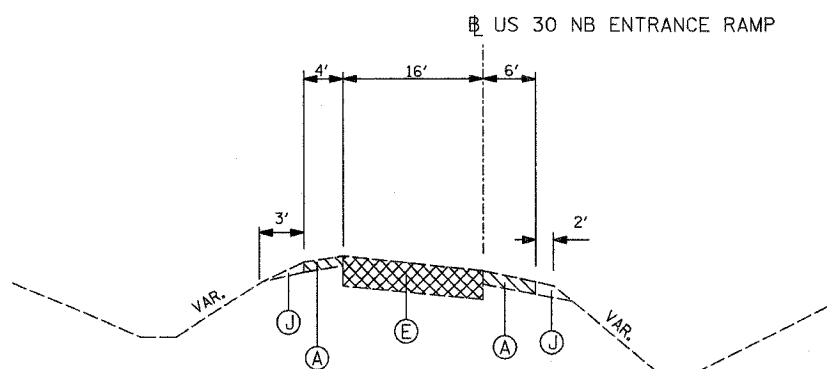


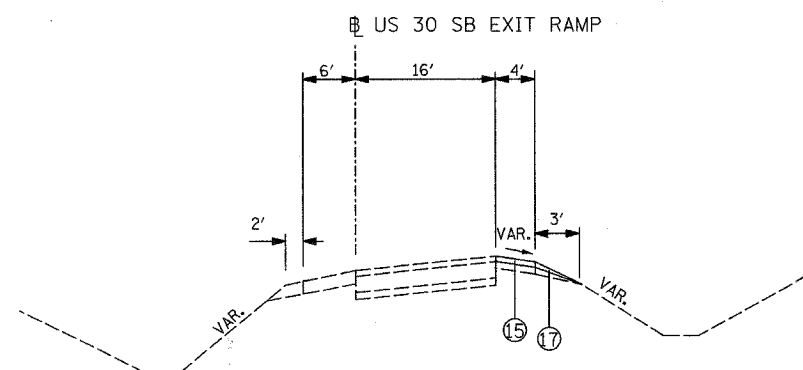
F.A.I. RTE.	SECTION	COUNTY	TOTAL SHEETS	SHEET NO.
55	99 (I&2) WRS-1	WILL	227	14
STA.		TO STA.		
FED. ROAD DIST. NO.		ILLINOIS FED. AID PROJECT		
		TYP 04 OF 06		



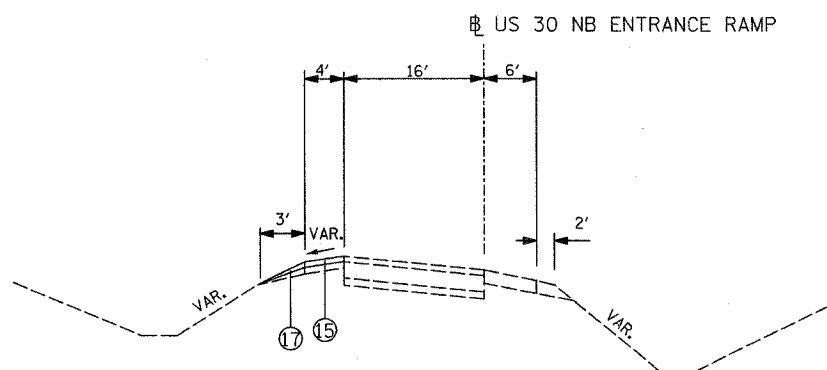
EXISTING TYPICAL SECTION  
STA. 1509+23.93 TO STA. 1515+63.83



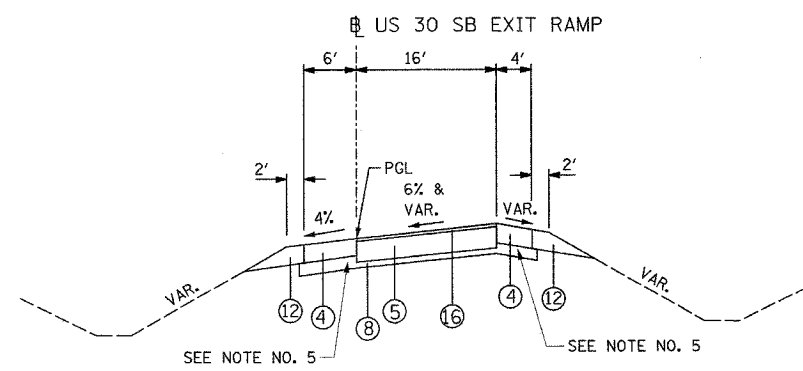
EXISTING TYPICAL SECTION  
STA. 50+91.40 TO STA. 57+45.58



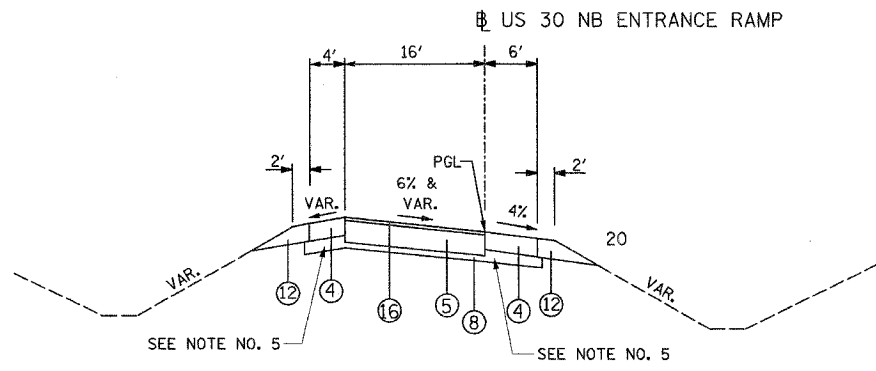
PROPOSED TYPICAL SECTION  
STA. 1509+23.93 TO STA. 1510+23.93



PROPOSED TYPICAL SECTION  
STA. 50+91.40 TO STA. 51+91.40



SEE NOTE NO. 5  
PROPOSED TYPICAL SECTION  
STA. 1510+23.93 TO STA. 1515+30.92



SEE NOTE NO. 5  
PROPOSED TYPICAL SECTION  
STA. 51+91.40 STA. 59+65.87

**NOTES:**

1. CLASS D PATCHES SHALL BE PLACED AT LOCATIONS AS APPROVED BY THE ENGINEER. THE DEPTH OF THE PATCH SHALL BE EQUAL TO THE THICKNESS OF EXISTING P.C.C. PAVEMENT AND SHALL NOT INCLUDE THE DEPTH OF THE HOT-MIX ASPHALT SURFACE REMOVAL, 3-1/2".
2. SEE STANDARD 637006 FOR ADDITIONAL CONCRETE BARRIER DETAILS.
3. ALL REINFORCING BARS, BAR SPLICERS, TIE BARS AND DOWEL BARS SHALL BE SEATED IN THE FINAL POSITION PRIOR TO THE CONCRETE OPERATIONS AND CANNOT BE MUCKED INTO PLACE.
4. THE FURNISHING AND PLACING OF TIE BARS SHALL BE INCLUDED IN THE CONTRACT UNIT PRICE FOR CONCRETE BARRIER BASE.
5. THE COST OF ADDITIONAL THICKNESS OF SUB-BASE GRANULAR MATERIAL (WHERE NEEDED) SHALL BE INCLUDED IN THE CONTRACT UNIT COST FOR "SUB-BASE GRANULAR MATERIAL, TYPE B, 6"

**EXISTING**

- (A) BITUMINOUS CONCRETE SHOULDER REMOVAL
- (B) HOT-MIX ASPHALT SURFACE REMOVAL, 3 1/2"
- (C) HOT-MIX ASPHALT SURFACE REMOVAL, VARIABLE DEPTH
- (D) POLYMERIZED BITUMINOUS CONCRETE PAVEMENT
- (E) PAVEMENT REMOVAL
- (F) P.C.C. PAVEMENT
- (G) SUB-BASE GRANULAR MATERIAL
- (H) HOT-MIX ASPHALT BASE COURSE
- (I) BITUMINOUS CONCRETE SHOULDER
- (J) AGGREGATE SHOULDER
- (K) GUARDRAIL
- (L) AGGREGATE SUBGRADE
- (M) HOT-MIX ASPHALT BINDER COURSE
- (N) CONCRETE BARRIER

**PROPOSED**

- (1) POLYMERIZED HOT-MIX ASPHALT SURF. CSE, STONE MATRIX ASPH., N80, 1-3/4"
- (2) POLYMERIZED HOT-MIX ASPHALT BIND. CSE, STONE MATRIX ASPH., N80, 1-3/4"
- (3) HOT-MIX ASPHALT BASE COURSE, 8"
- (4) HOT-MIX ASPHALT BINDER COURSE, IL-19, N70, 8"
- (5) P.C.C. CONCRETE BASE COURSE, 10-1/2"
- (6) CONCRETE BARRIER, DOUBLE FACE, 42" HEIGHT
- (7) AGGREGATE SUBGRADE, 12"
- (8) SUB-BASE GRANULAR MATERIAL, TYPE B, 6"
- (9) SHOULDER RUMBLE STRIP
- (10) CONCRETE BARRIER BASE
- (11) LONGITUDINAL CONSTRUCTION JOINT AND NO. 25 EPOXY COATED DEFORMED TIE BARS (DRILL AND GROUT)
- (12) AGGREGATE SHOULDERS, TYPE B 8"
- (13) CLASS D PATCHES, 10" (SEE NOTE 1)
- (14) HOT-MIX ASPHALT BASE COURSE, 2-1/2"
- (15) HOT-MIX ASPHALT SURFACE COURSE, MIX "D", N70, 1-3/4"
- (16) HOT-MIX ASPHALT SURFACE COURSE, MIX "D", N70, 1-1/2"
- (17) AGGREGATE SHOULDERS, TYPE B (SPECIAL)
- (18) STRIP REFLECTIVE CRACK CONTROL TREATMENT
- (19) POROUS GRANULAR EMBANKMENT, SUBGRADE 12"
- (20) GEOTECHNICAL FABRIC FOR GROUND STABILIZATION

REVISIONS	
NAME	DATE

ILLINOIS DEPARTMENT OF TRANSPORTATION  
FAI ROUTE 55  
US 30 (PLAINFIELD ROAD) TO 143RD STREET

TYPICAL SECTIONS

SCALE: NONE  
DATE: 02-23-07

DRAWN BY: DM  
CHECKED BY: DVS



FINAL