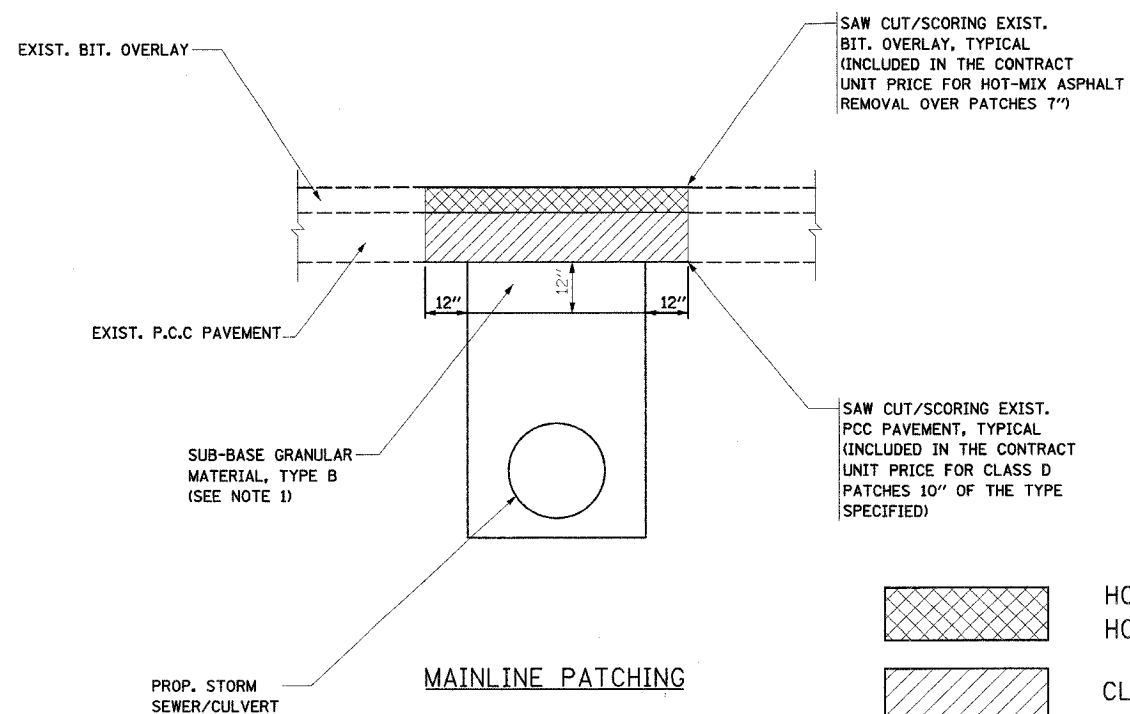
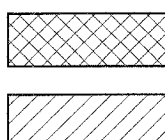
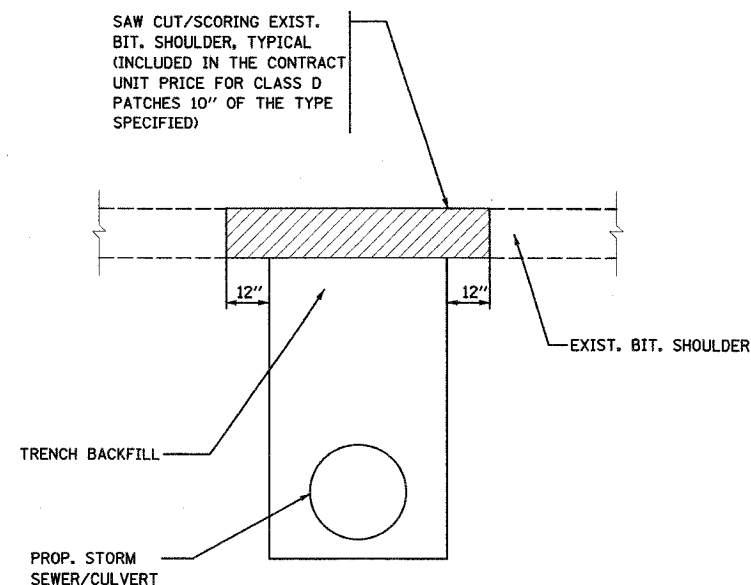


F.A.I. RTE.	SECTION	COUNTY	TOTAL SHEETS	SHEET NO.
55	99 (1&2) WRS-1	WILL	227	16
STA.		TO STA.		
FED. ROAD DIST. NO.	ILLINOIS	FED. AID PROJECT		
TYP 06 OF 06				



NOTES:

1. SUB-BASE GRANULAR MATERIAL, TYPE B SHALL BE CONSTRUCTED IN ACCORDANCE WITH ARTICLES 311.02, 311.03 AND 311.05 OF THE STANDARD SPECIFICATIONS. THIS WORK WILL BE MEASURED AND PAID FOR AS TRENCH BACKFILL IN ACCORDANCE WITH ARTICLES 208.03 AND 208.04 OF THE STANDARD SPECIFICATIONS.



HOT MIX ASPHALT REMOVAL OVER PATCHES 7"
HOT-MIX ASPHALT REPLACEMENT OVER PATCHES

CLASS D PATCHES 10" OF THE TYPE SPECIFIED

PAVEMENT PATCHING FOR STORM SEWER LATERAL OUTLETS

REVISIONS	
NAME	DATE

ILLINOIS DEPARTMENT OF TRANSPORTATION
FAI ROUTE 55
US 30 (PLAINFIELD ROAD) TO 143RD STREET

TYPICAL SECTIONS

SCALE: NONE
DATE: 02-23-07

DRAWN BY: DM
CHECKED BY: DVS



FINAL