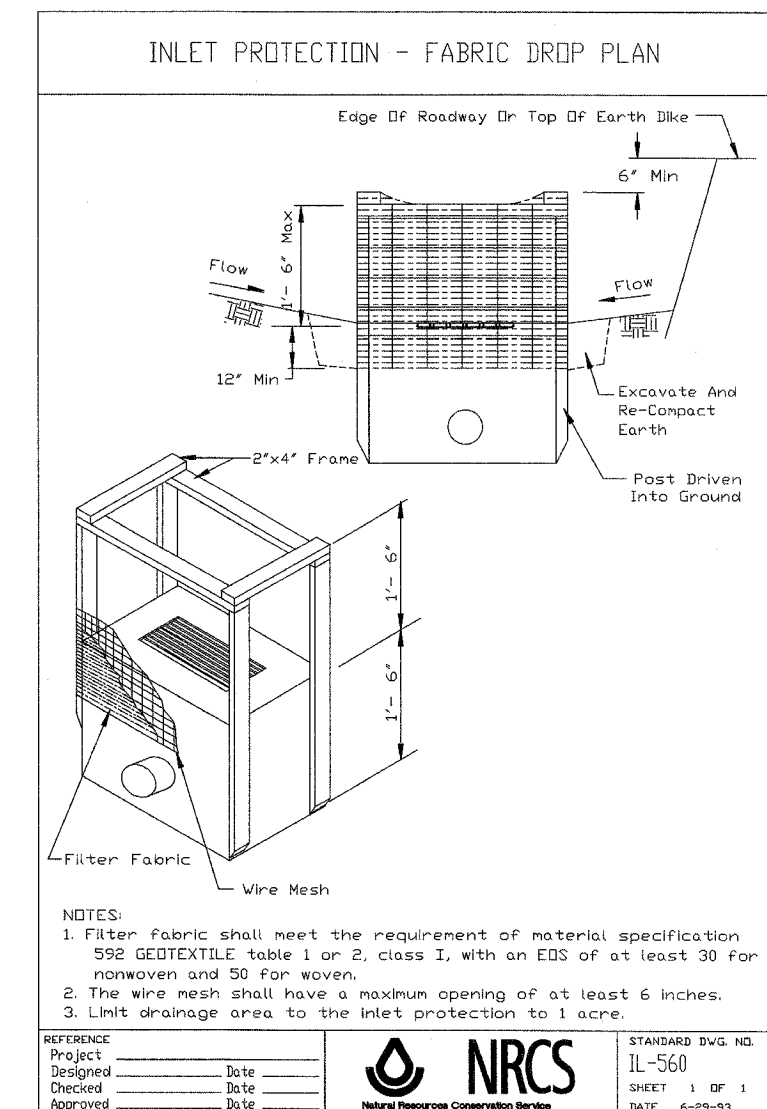
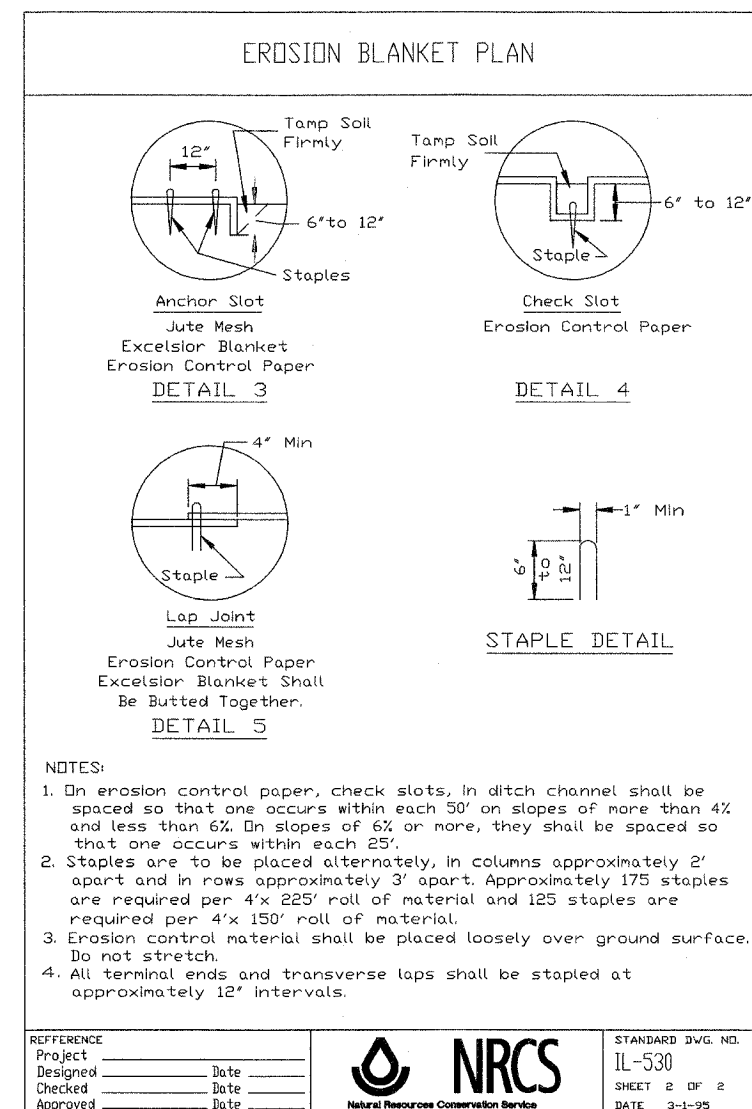
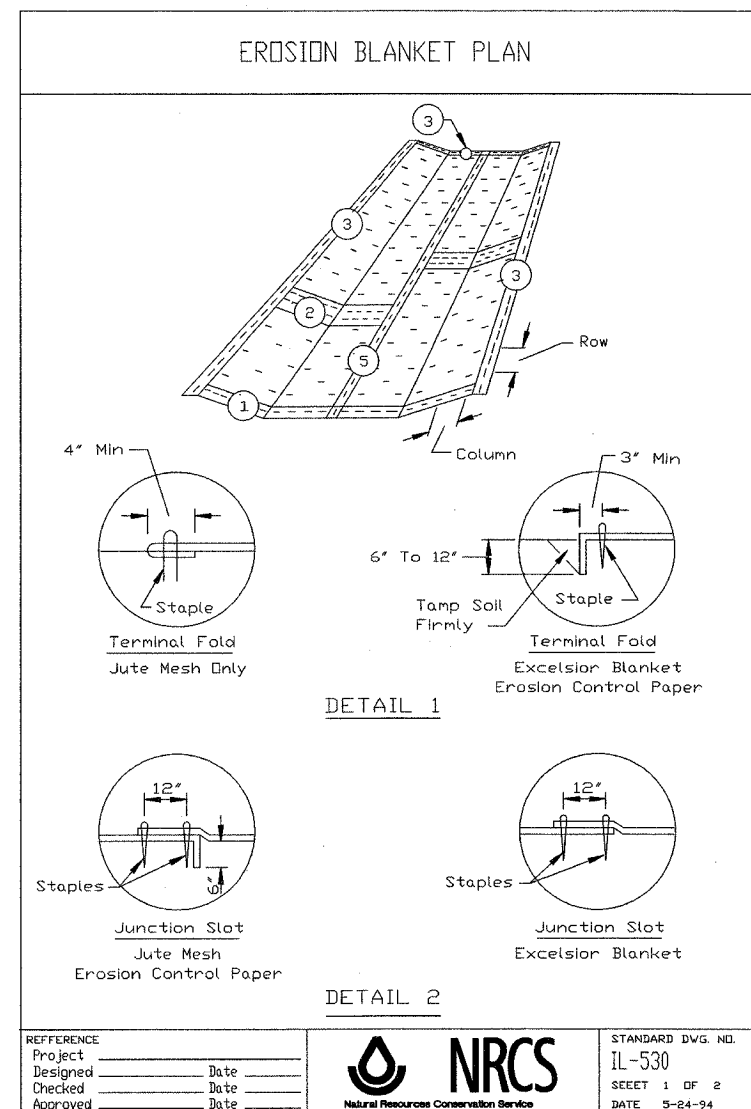


CONTRACT NO. 62896				
F.A.P. RTE.	SECTION	COUNTY	TOTAL SHEETS	SHEET NO.
55	99 (I&2) WRS-1	WILL.	227	85
STA.		TO STA.		
FED. ROAD DIST. NO.	ILLINOIS	FED. AID PROJECT		
EC-06 OF 06				



REFERENCE	STANDARD DVG. NO.
Project _____	IL-530
Designed _____ Date _____	SEET 1 OF 2
Checked _____ Date _____	DATE 5-24-94
Approved _____ Date _____	

REFERENCE	STANDARD DVG. NO.
Project _____	IL-530
Designed _____ Date _____	SHEET 2 OF 2
Checked _____ Date _____	DATE 3-1-95
Approved _____ Date _____	

REFERENCE	STANDARD DVG. NO.
Project _____	IL-560
Designed _____ Date _____	SHEET 1 OF 1
Checked _____ Date _____	DATE 6-29-93
Approved _____ Date _____	

	<table border="1"> <tr><th colspan="2">REVISIONS</th></tr> <tr><th>NAME</th><th>DATE</th></tr> <tr><td> </td><td> </td></tr> <tr><td> </td><td> </td></tr> <tr><td> </td><td> </td></tr> <tr><td> </td><td> </td></tr> <tr><td> </td><td> </td></tr> <tr><td> </td><td> </td></tr> <tr><td> </td><td> </td></tr> <tr><td> </td><td> </td></tr> <tr><td> </td><td> </td></tr> </table>	REVISIONS		NAME	DATE																			ILLINOIS DEPARTMENT OF TRANSPORTATION FAI ROUTE 55 US 30 (PLAINFIELD ROAD) TO 143RD STREET EROSION AND SEDIMENT CONTROL DETAILS SCALE: 1" = 50' DATE: 02/23/2007
	REVISIONS																							
NAME	DATE																							
	DRAWN BY: JPA CHECKED BY: TEH	FINAL																						