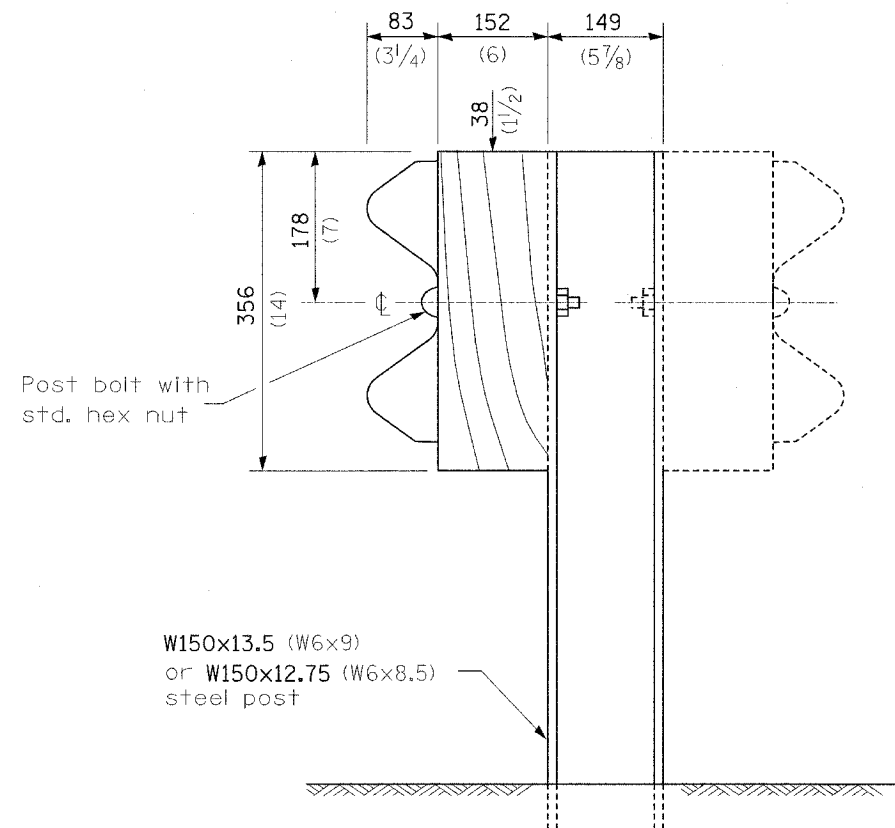
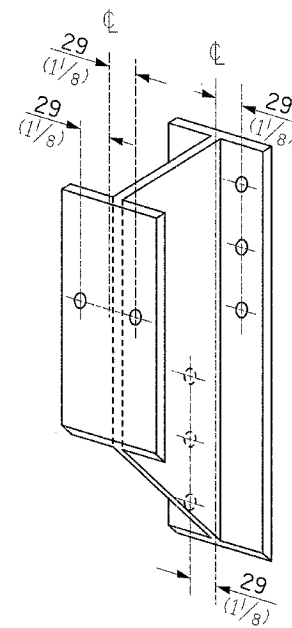


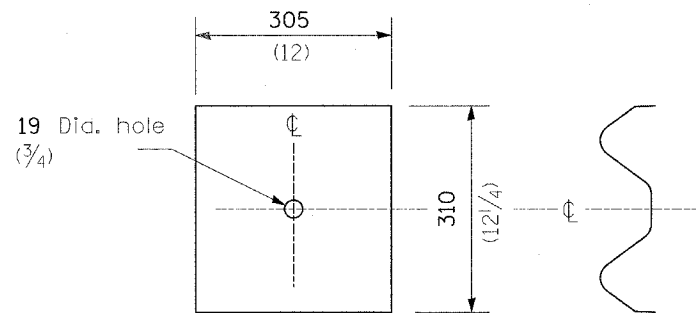
F.A. RTE.	SECTION	COUNTY	TOTAL SHEETS	SHEET NO.
55	99 (1&2) WRS-1	WILL	227	164B
FED. ROAD DIST. NO.		ILLINOIS	FED. AID PROJECT	



**STEEL POST CONSTRUCTION**



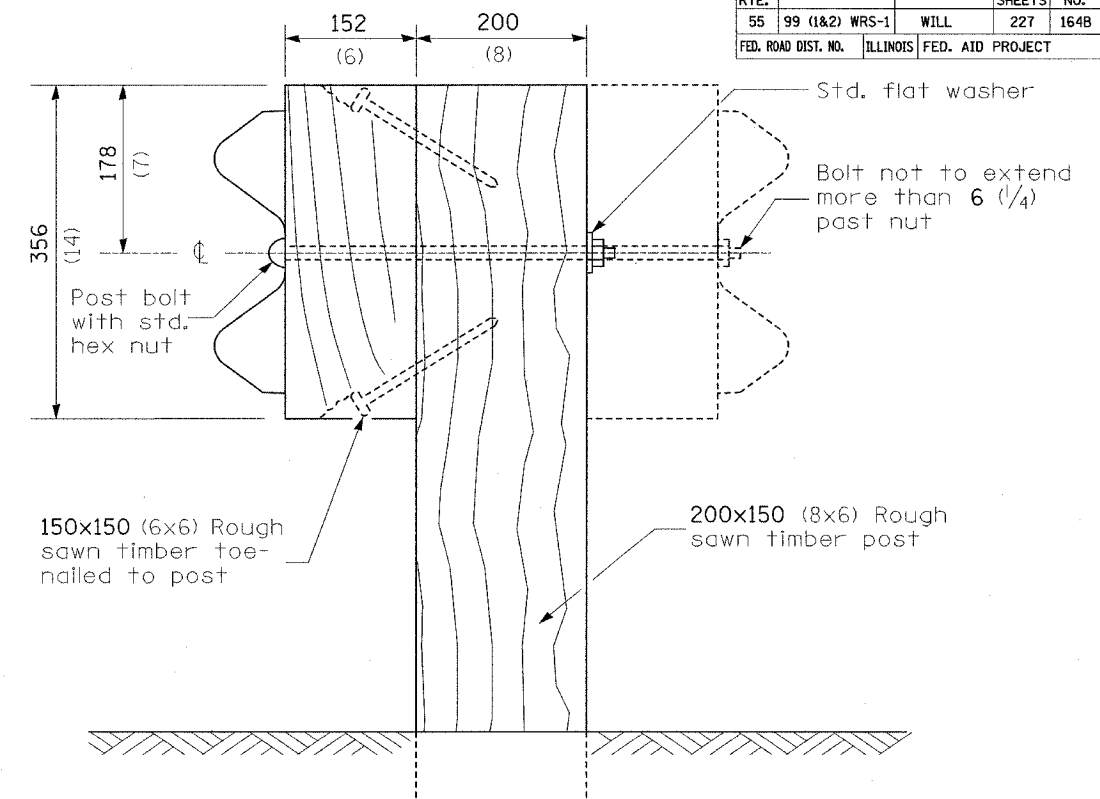
**STEEL BLOCK-OUT DETAIL**



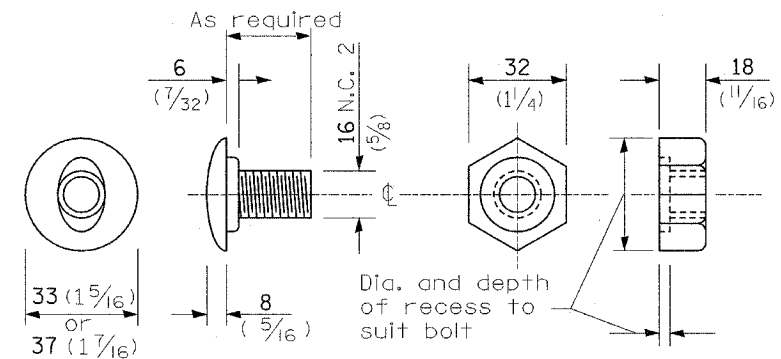
NOTE

Plate A shall be placed between rail element and block-out at non-splice mounting points only when steel block-outs are used.

**PLATE A**



**WOOD POST CONSTRUCTION**



**POST OR SPLICE BOLT & NUT**

REMOVE AND REERECT  
STEEL PLATE BEAM GUARDRAIL

(Sheet 2 of 4)

**DETAIL**