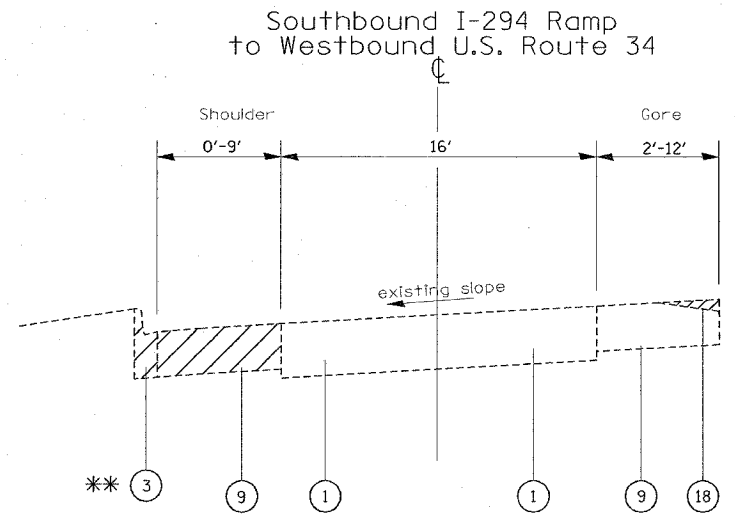
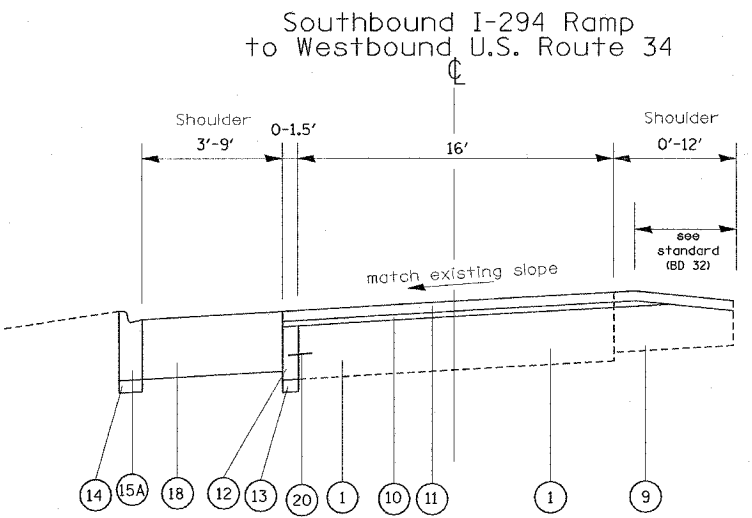


F.A.P. RTE.	SECTION	COUNTY	TOTAL SHEETS	SHEET NO.
311	9 Y-N-2	COOK/DUPAGE	39	11
STA.		TO STA.		
FED. ROAD DIST. NO.		ILLINOIS FED. AID PROJECT		



Typical Existing Cross Section

I-294 Ramp
Sta. 102+63 - 103+75



Typical Proposed Cross Section

I-294 Ramp
Sta. 102+63 - 103+75

LEGEND

- ① EXISTING P.C.C. PAVEMENT, ± 9"
- ② EXISTING HMA OVERLAY, ± 3"
- ③ EXISTING CURB AND GUTTER
- ④ EXISTING P.C.C. SIDEWALK
- ⑤ EXISTING P.C.C. MEDIAN
- ⑥ EXISTING CRUSHED STONE
- ⑦ EXISTING PC CONCRETE CURB
- ⑧ EXISTING CONCRETE MEDIAN SURFACE
- ⑨ EXISTING HMA SHOULDER
- ⑩ PROPOSED POLYMERIZED LEVELING BINDER (MACHINE METHOD), IL-4.75, N50, 3/4"
- ⑪ PROPOSED POLYMERIZED HMA SURFACE COURSE, MIX "F", N90, 1 3/4"
- ⑫ PROPOSED P.C.C. BASE COURSE, 9 1/2"
- ⑬ PROPOSED SUB-BASE GRANULAR MATERIAL, TYPE B, 6"
- ⑭ PROPOSED SUB-BASE GRANULAR MATERIAL, TYPE B, 4"
- ⑮ PROPOSED CURB AND GUTTER, TYPE B-6.24
- ⑮A PROPOSED CURB AND GUTTER, TYPE M-4.24
- ⑯ PROPOSED P.C.C. SIDEWALK
- ⑰ PROPOSED HMA SURFACE REMOVAL, 2 1/2"
- ⑱ PROPOSED HMA SURFACE REMOVAL
- ⑲ PROPOSED 8" HMA SHOULDER
- ⑳ PROP. DRILL AND GROUT #4 TIE BAR, 24" LONG, SHAPE (24" C-C), COST INCLUDED IN CONCRETE CURB AND GUTTER, TYPE B-6.12 PAY ITEM
- ㉑ PROPOSED MEDIAN REMOVAL

NOTES

- * STA. 95+11 TO STA. 96+67
STA. 97+17 TO STA. 98+22
STA. 98+38 TO STA. 99+56
 - ** CURB AND GUTTER REMOVAL AND REPLACEMENT
LOCATIONS SHOWN ON EXISTING AND PROPOSED ROADWAY PLAN
 - *** HMA SHOULDER REMOVAL AND REPLACEMENT
SHOWN ON EXISTING AND PROPOSED ROADWAY PLAN
- SAW CUTTING LOCATIONS SHOWN ON PROPOSED ROADWAY PLAN

REVISIONS	
NAME	DATE

ILLINOIS DEPARTMENT OF TRANSPORTATION

US 34
TYPICAL SECTIONS

SCALE: VERT. _____
HORIZ. _____

DATE _____ DRAWN BY _____
CHECKED BY _____

PLOT DATE = 2/16/2007
 FILE NAME = c:\p1\mca\101009033\design\road.dgn
 PLOT SCALE = 5/8" = 1' IN.
 USER NAME = smt141