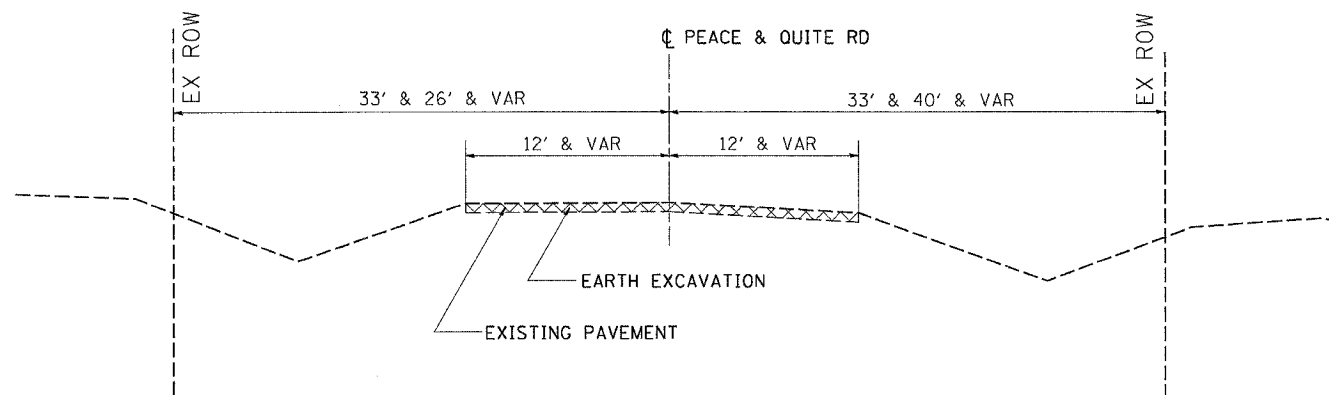


F.A.P. RTE.	SECTION	COUNTY	TOTAL SHEETS	SHEET NO.
654	109 T	CARROLL	36	6
STA.		TO STA.		
FED. ROAD DIST. NO.	ILLINOIS	FED. AID PROJECT		

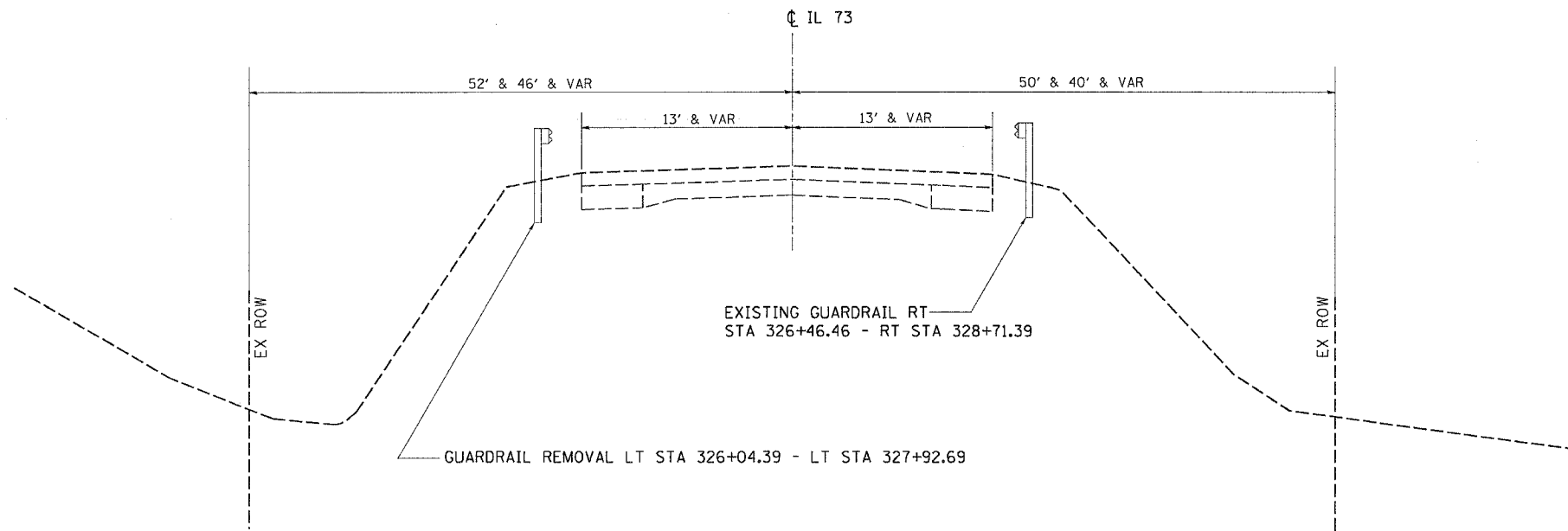
TYPICAL SECTIONS

EXISTING PEACE & QUIET ROAD TYPICAL



EXISTING IL 73 TYPICAL

STA. 324+00 - STA. 330+50



PLOT DATE = Mon Mar 10 08:21:15 2003
 FILE NAME = c:\p\109t\109t109t.dgn
 PLOT SCALE = 50.0000 / IN.
 USER NAME = pofj

REVISIONS	
NAME	DATE

ILLINOIS DEPARTMENT OF TRANSPORTATION

SCALE: VERT.
 HORIZ.
 DATE

DRAWN BY
 CHECKED BY