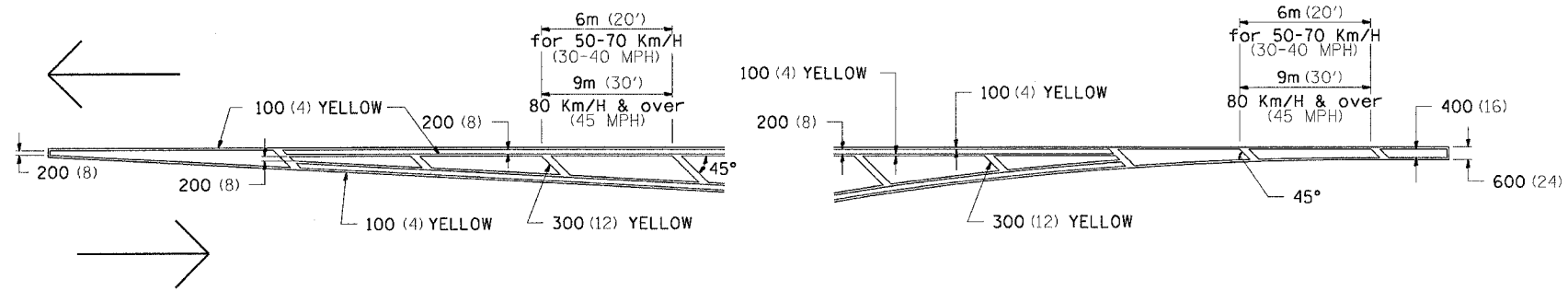


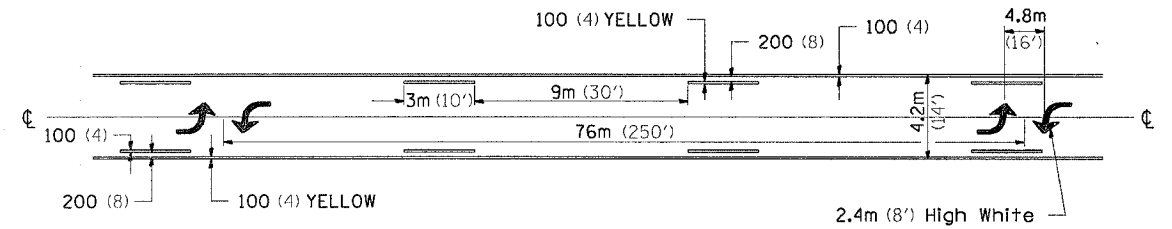
F.A.P. RTE.	SECTION	COUNTY	TOTAL SHEETS	SHEET NO.
654	109 T	CARROLL	36	28
STA.		TO STA.		
FED. ROAD DIST. NO.	ILLINOIS	FED. AID PROJECT		

# TYPICAL PAVEMENT MARKINGS

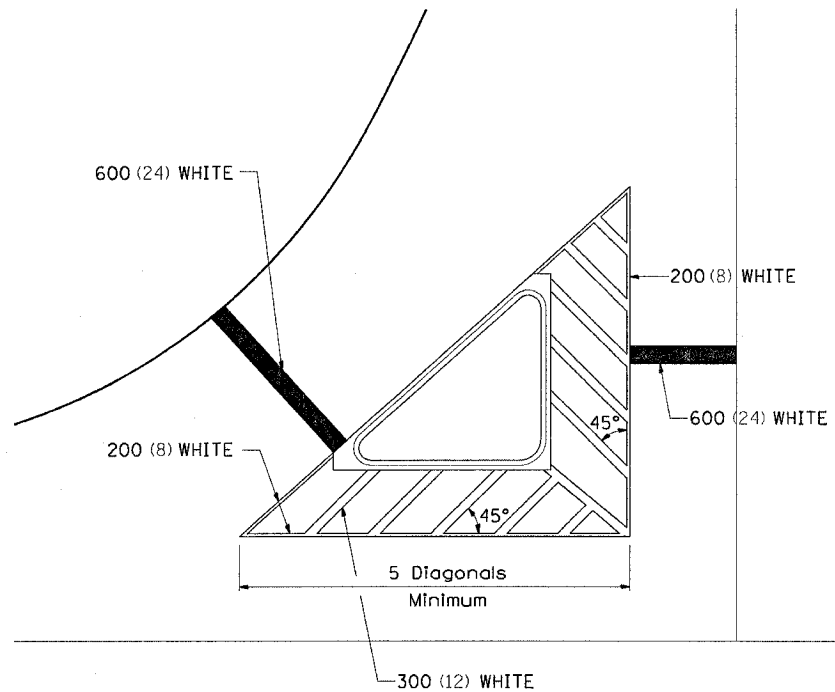
TYPICAL PAVEMENT MARKING FOR FLUSH MEDIAN AT LEFT TURN LANE



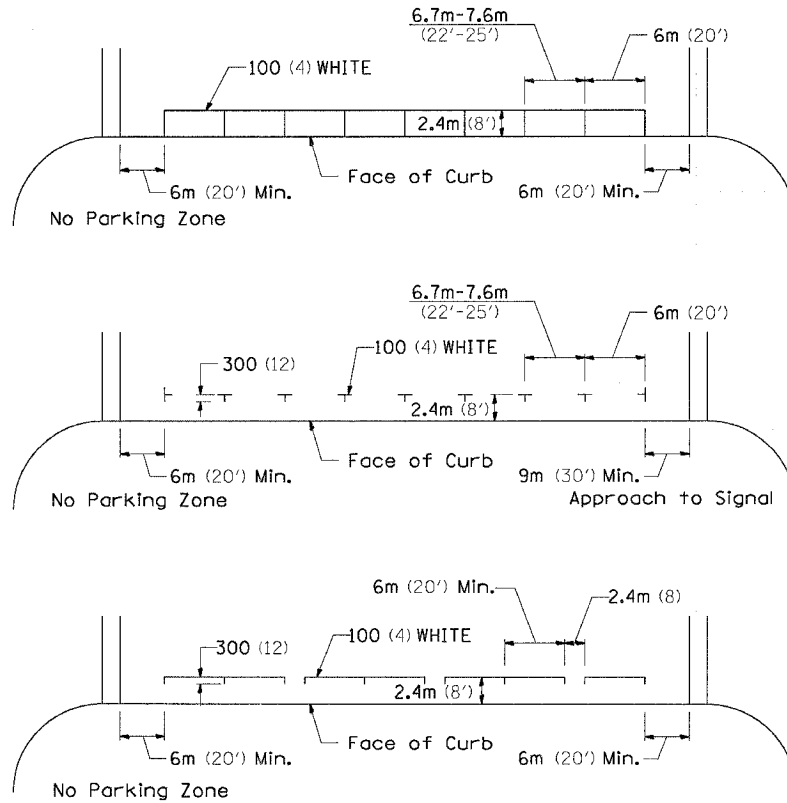
MEDIAN PAVEMENT MARKING



TYPICAL ISLAND OFFSET SHOULDER WIDTH



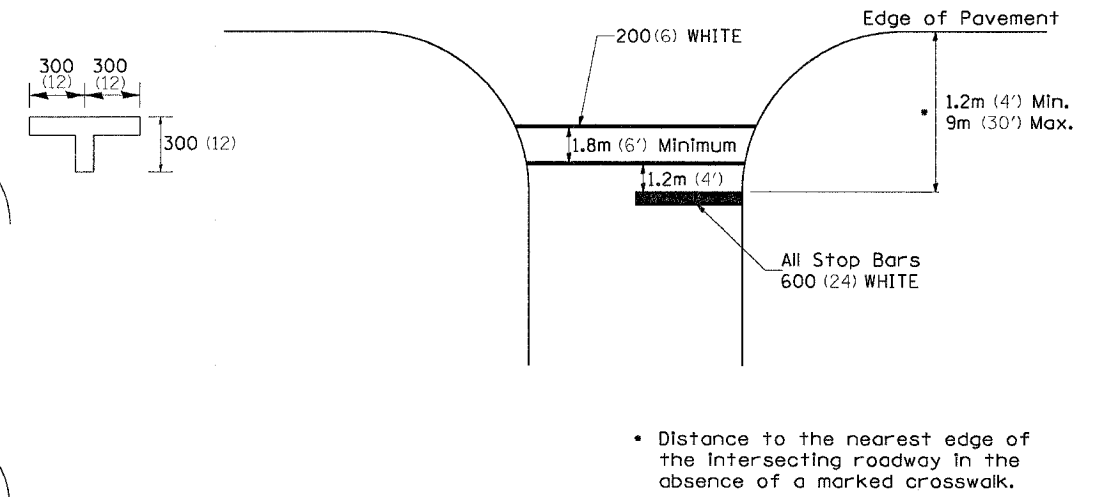
TYPICAL PARKING SPACING



•• ALL DIMENSIONS ARE IN MILLIMETERS (INCHES) UNLESS OTHERWISE NOTED.

STANDARD CROSSWALK MARKING

See Schedules for Locations



• Distance to the nearest edge of the intersecting roadway in the absence of a marked crosswalk.

PLDT DATE = Fri Mar 16 11:04:00 2007  
 FILE NAME = s:\pav\mkt\202386\at10386apl.dgn  
 SCALE = 3000000 / 1  
 REFERENCE = PREP