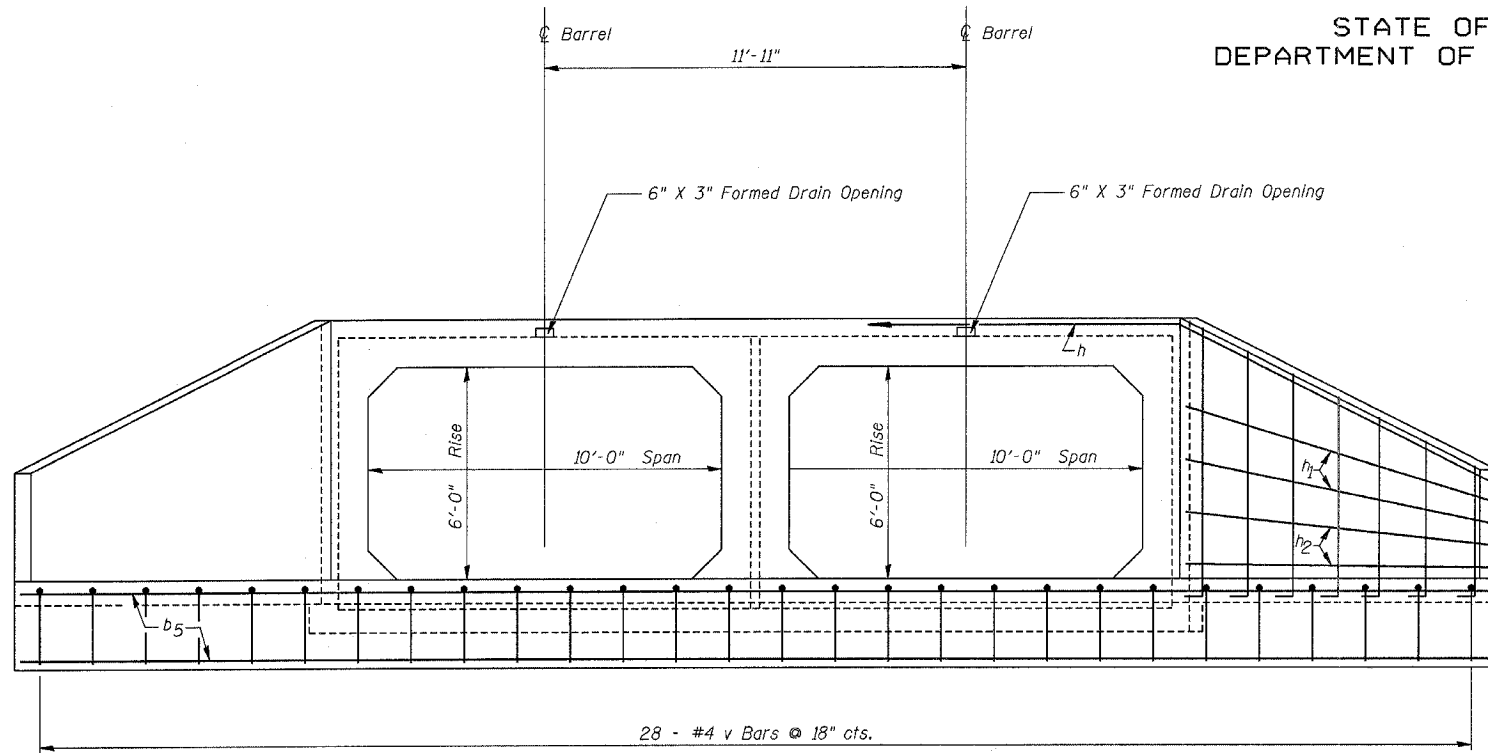


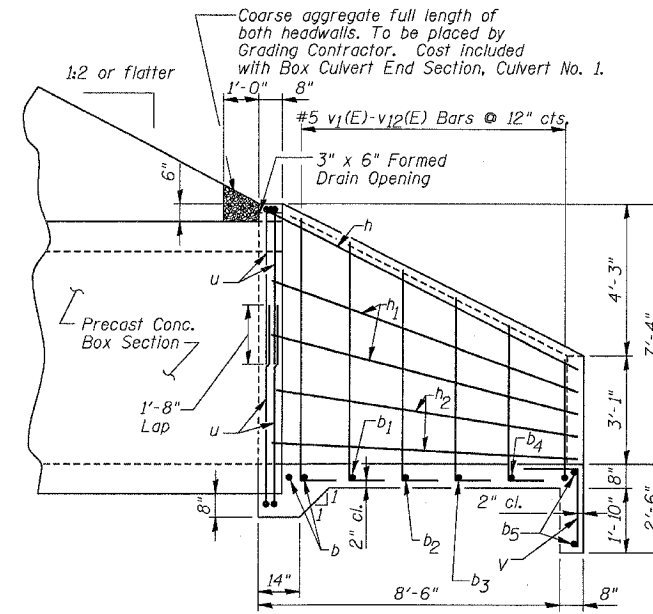
STATE OF ILLINOIS
DEPARTMENT OF TRANSPORTATION

ROUTE NO. FAS 1279	SECTION 1071	COUNTY LaSALLE	SHEET NO. 43	SHEET 21	SHEET NO. 3 5 SHEETS
FED. ROAD DIST. NO.		ILLINOIS		FED. AID PROJECT	

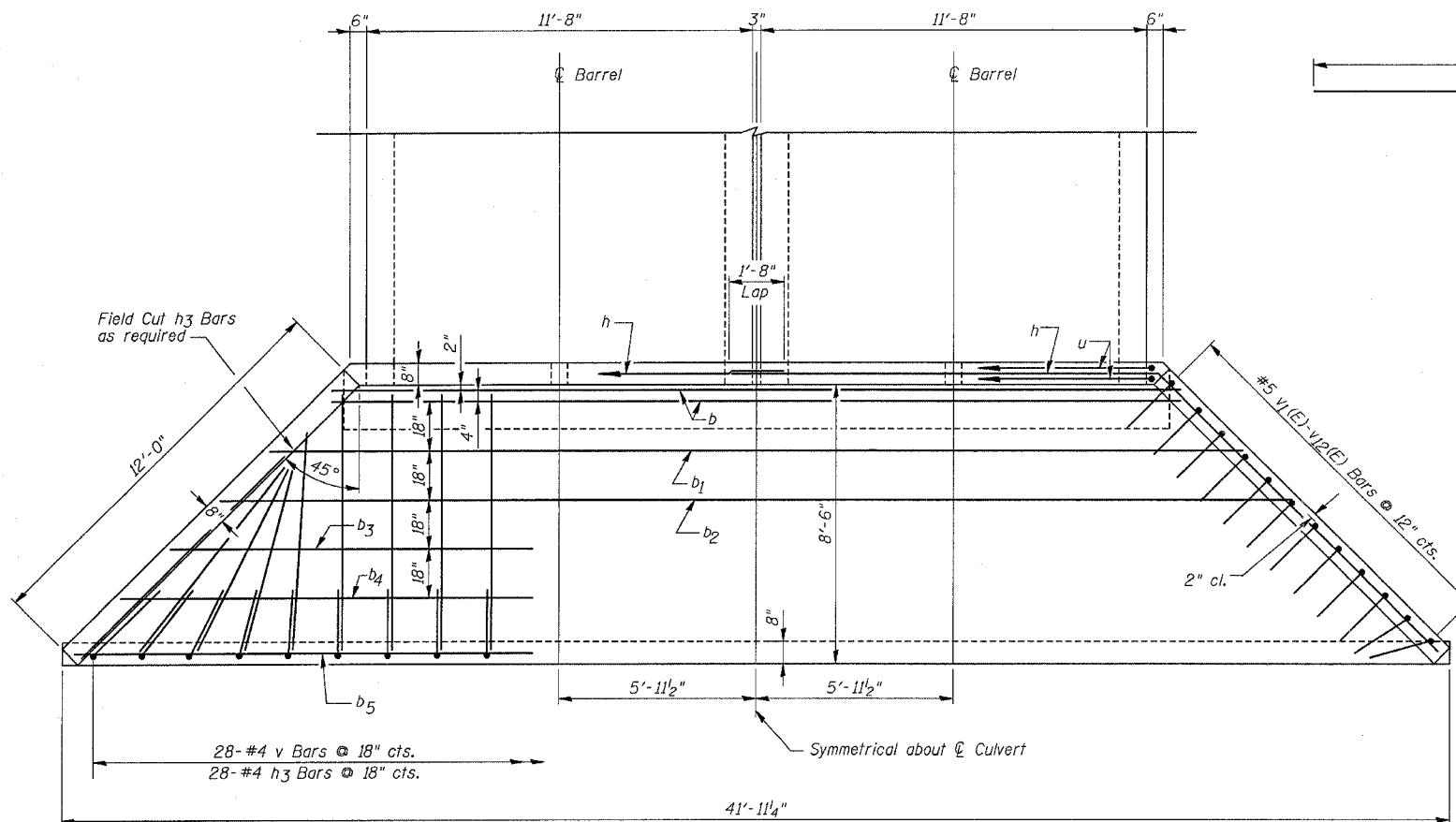
CTR# 66400



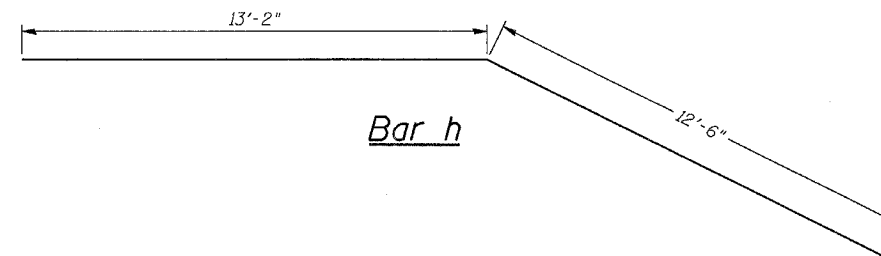
END ELEVATION



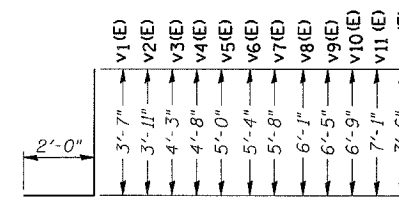
HALF SIDE ELEVATION



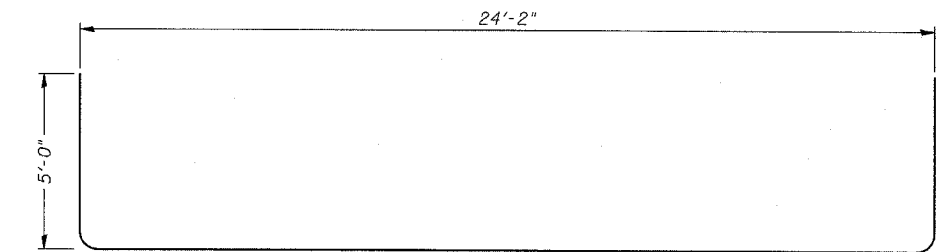
PLAN



Bar v



Bars v₁(E)-v₁₂(E)



Bar u

BILL OF MATERIAL				
ONE (1) HEADWALL				
BAR	SIZE	NO.	LENGTH	SHAPE
b	5	2	25'-8"	—
b ₁	4	1	29'-5"	—
b ₂	4	1	32'-5"	—
b ₃	4	1	35'-5"	—
b ₄	4	1	38'-5"	—
b ₅	4	2	41'-7"	—
h	5	2	25'-8"	—
h ₁	4	4	12'-4"	—
h ₂	4	4	12'-2"	—
h ₃	4	28	8'-2"	—
u	4	4	34'-2"	—
v	4	28	4'-3"	—
v ₁ (E)	5	2	5'-7"	—
v ₂ (E)	5	2	5'-11"	—
v ₃ (E)	5	2	6'-3"	—
v ₄ (E)	5	2	6'-8"	—
v ₅ (E)	5	2	7'-0"	—
v ₆ (E)	5	2	7'-4"	—
v ₇ (E)	5	2	7'-8"	—
v ₈ (E)	5	2	8'-1"	—
v ₉ (E)	5	2	8'-5"	—
v ₁₀ (E)	5	2	8'-9"	—
v ₁₁ (E)	5	2	9'-1"	—
v ₁₂ (E)	5	2	9'-6"	—
Concrete Headwalls	C.Y.		14.8	
Reinforcement Bars	Lbs.		640	
Reinforcement Bars, Epoxy Coated	Lbs.		190	

Item	Unit	Quantity
Box Culvert End Section, Culvert No. 1	Each	2

CAST-IN-PLACE
BOX CULVERT
END SECTION DETAILS
IL ROUTE 178 OVER
UNNAMED TRIBUTARY
FAS 1279 SECTION 1071
LaSALLE COUNTY
STATION 1032+49.18
STRUCTURE NO. 050-2041

ESCA
CONSULTANTS, INC.

DESIGNED BY:	MTD	11/04
DRAWN BY:	RJT	11/04
CHECKED BY:	MTD	11/04
APPROVED BY:	RDP	05/06