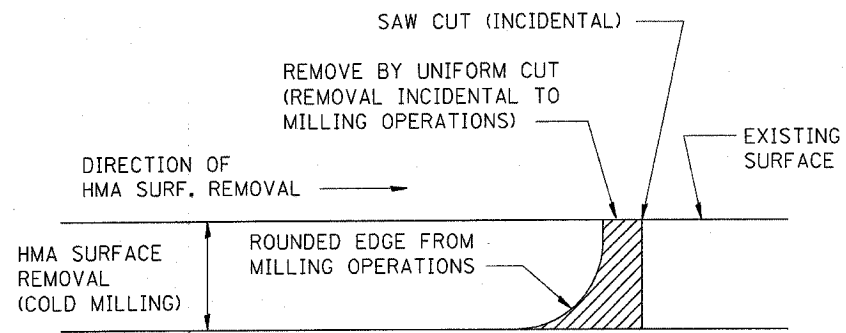
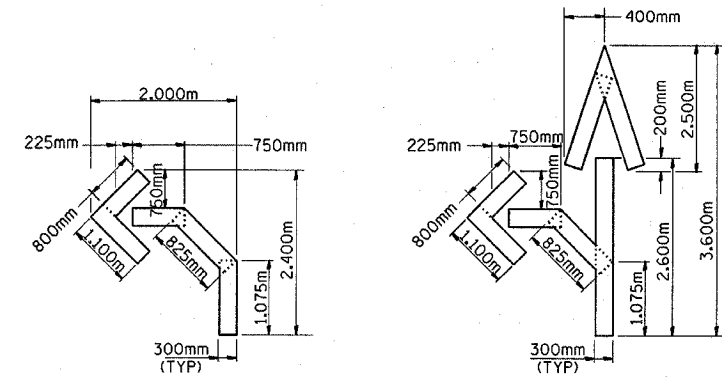


F.A.P. RTE.	SECTION	COUNTY	TOTAL SHEETS	SHEET NO.
326	(108,109)RS4	KENDALL	34	33
STA.		TO STA.		
FED. ROAD DIST. NO.		ILLINOIS FED. AID PROJECT		

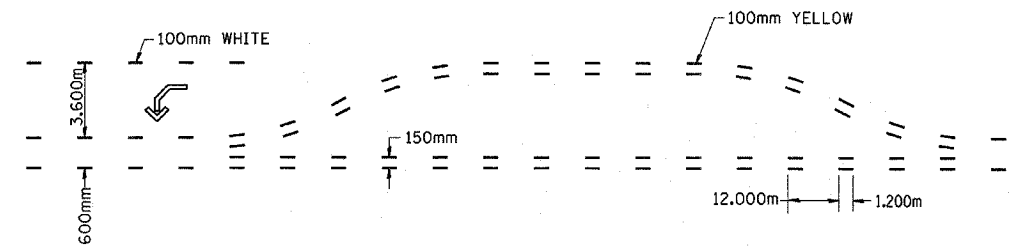


NOTE: WHEN MILLING OPERATIONS PRODUCE A ROUNDED EDGE, THEN A SAW CUT SHALL BE USED TO MANUFACTURE A PERPENDICULAR EDGE AS SHOWN IN THE DETAIL. THE ENGINEER SHALL BE THE SOLE JUDGE CONCERNING THE USE OF THIS DETAIL.

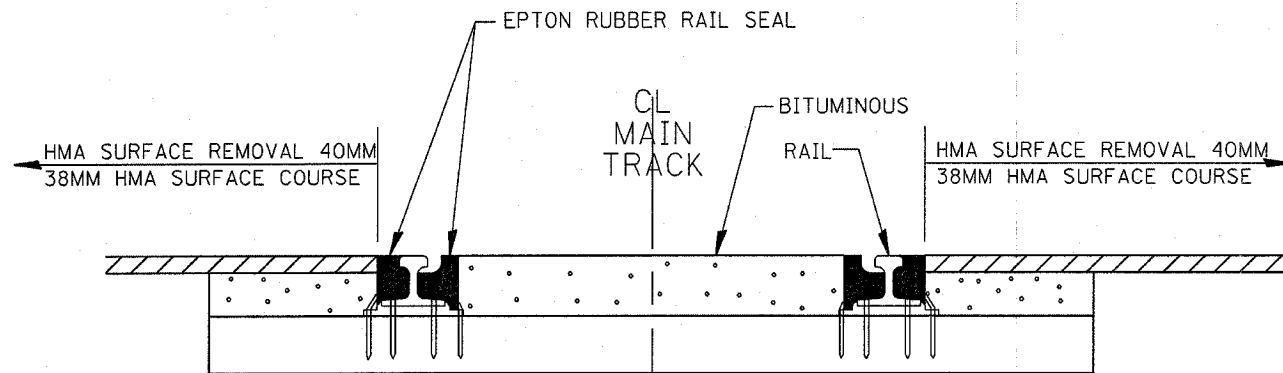


QUANTITY
300mm LINE = 4.800m
OR 100mm LINE = 14.400m

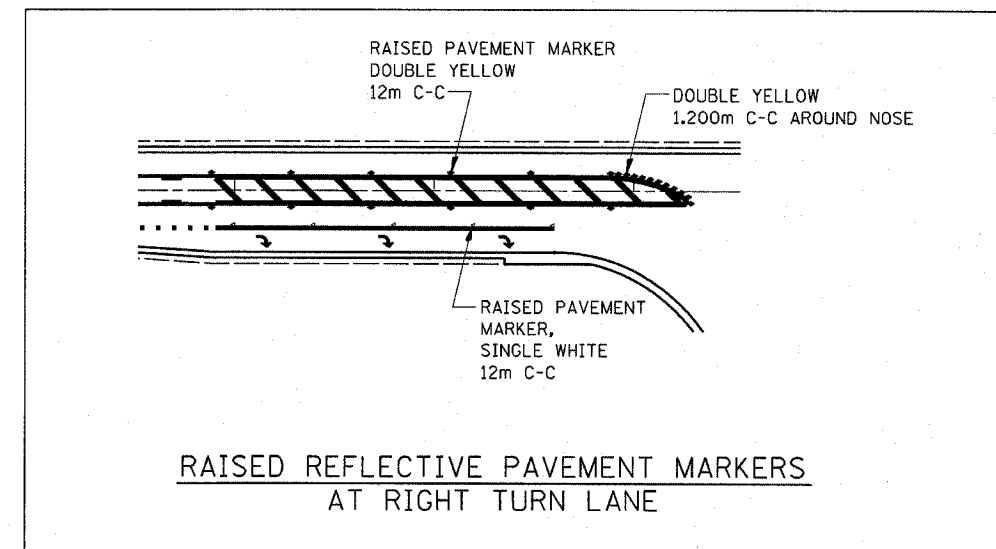
QUANTITY
300mm LINE = 8.700m
OR 100mm LINE = 27.100m



SHORT-TERM PAVEMENT MARKING FOR MEDIANS AND ARROWS



HMA SURFACE REMOVAL AT RAILROAD CROSSING DETAIL



RAISED REFLECTIVE PAVEMENT MARKERS AT RIGHT TURN LANE

REVISIONS	
NAME	DATE

ILLINOIS DEPARTMENT OF TRANSPORTATION

DETAILS

SCALE: VERT. HORIZ. DATE

DRAWN BY CHECKED BY