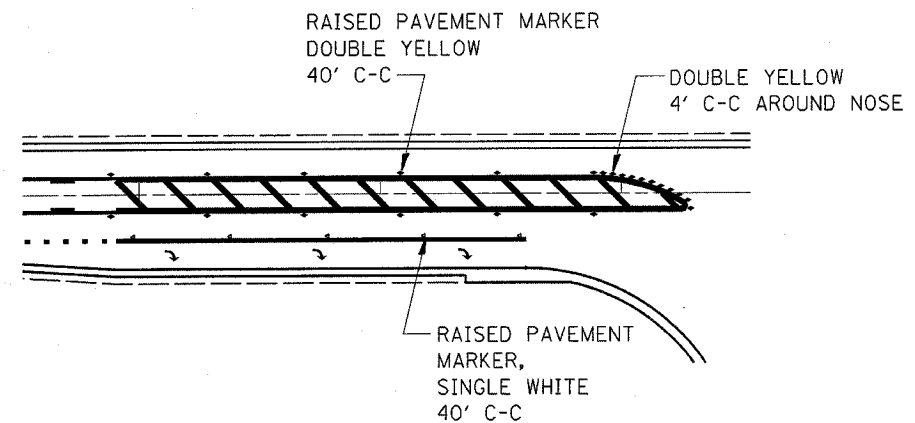
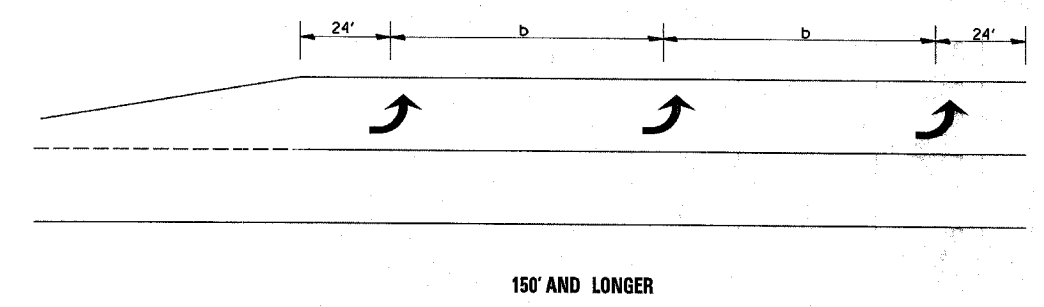
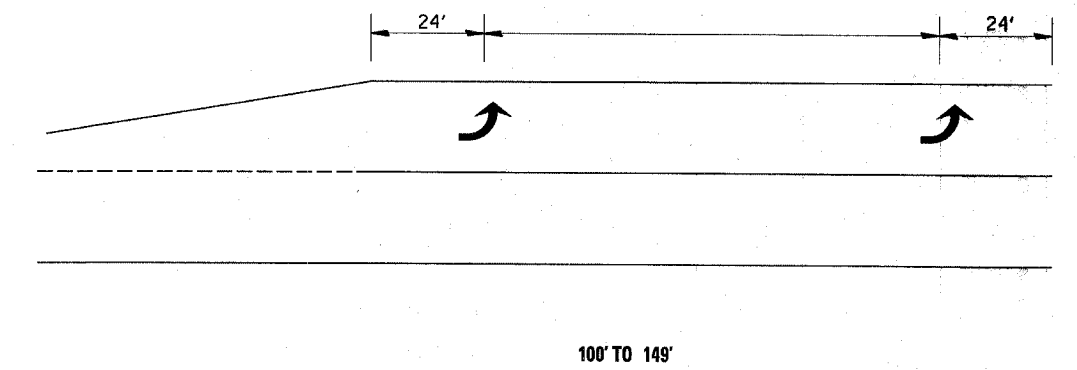
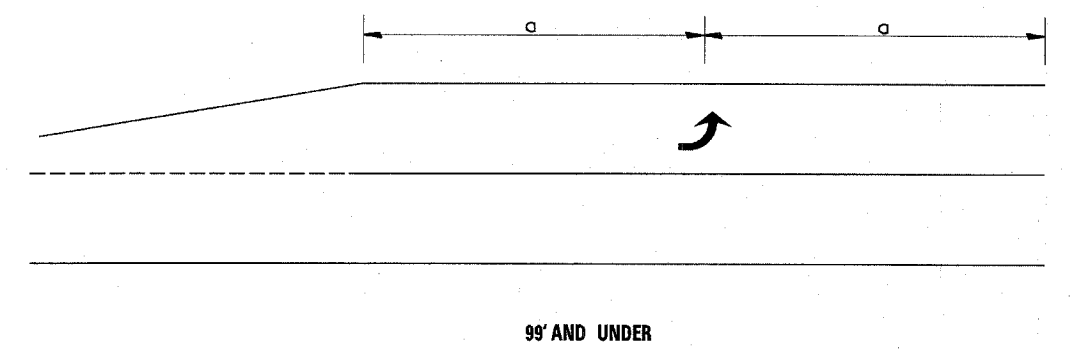


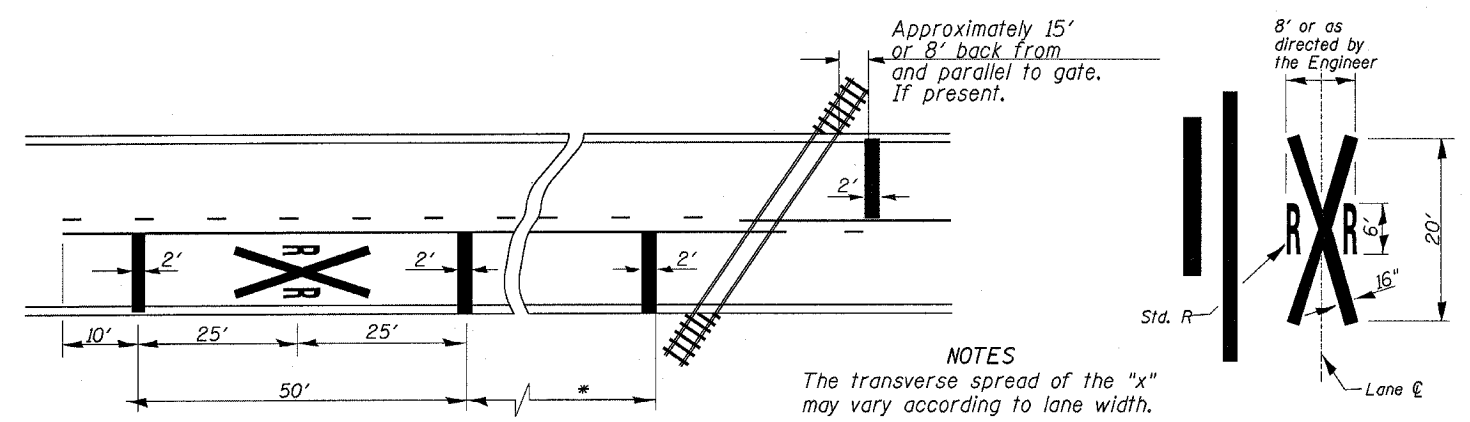
F.A.S. NO.	SECTION	COUNTY	TOTAL SHEETS	SHEET NO.
301	113RS-3 & 114RS-2	■ ■	18	17
STA.	TO STA.			
FED. ROAD DIST. NO.	ILLINOIS	FED. AID PROJECT		
■ ■ GRUNDY & WILL				



**RAISED REFLECTIVE PAVEMENT MARKERS  
@ RIGHT TURN LANE**



**TYPICAL PLACEMENT OF ARROWS  
IN TURN LANES**



**NOTES**  
The transverse spread of the "x" may vary according to lane width.

On multi-lane roads, the stop lines shall extend across all approach lanes and separate RXR symbols shall be placed adjacent to each other in each lane.

\* Minimum Distance  
400' for 55 MPH  
250' for 45 MPH  
100' for 35 MPH or Less

**PAVEMENT MARKINGS AT  
RAILROAD-HIGHWAY GRADE CROSSING**

REVISIONS	
NAME	DATE

ILLINOIS DEPARTMENT OF TRANSPORTATION

**DETAILS**

SCALE: VERT. \_\_\_\_\_  
HORIZ. \_\_\_\_\_

DATE \_\_\_\_\_ DRAWN BY \_\_\_\_\_  
CHECKED BY \_\_\_\_\_