

STATE OF ILLINOIS  
DEPARTMENT OF TRANSPORTATION

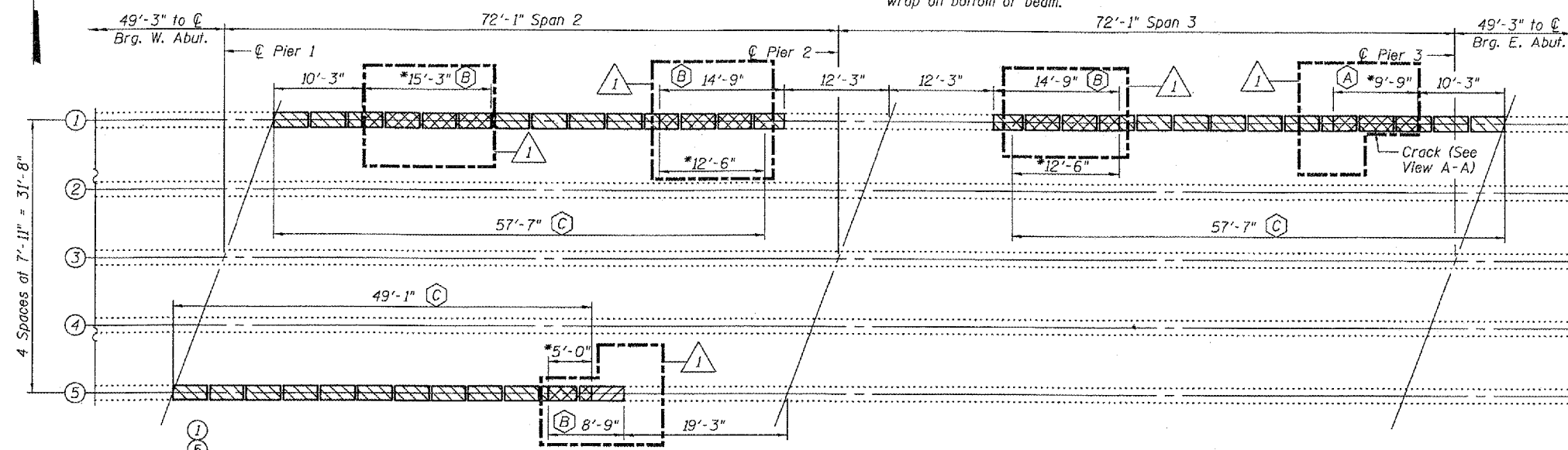
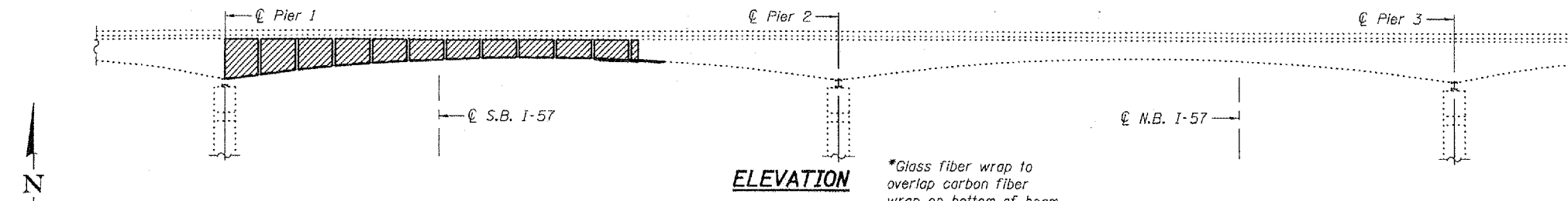
ROUTE NO.	SECTION	COUNTY	SHEETS	SHEET	SHEET NO. 1
57	(46-148, HBK)	Kankakee	9	6	2 SHEETS
FED. ROAD DIST. NO. 7		ILLINOIS	FEE AND PROJECT		

Contract Number: 66699

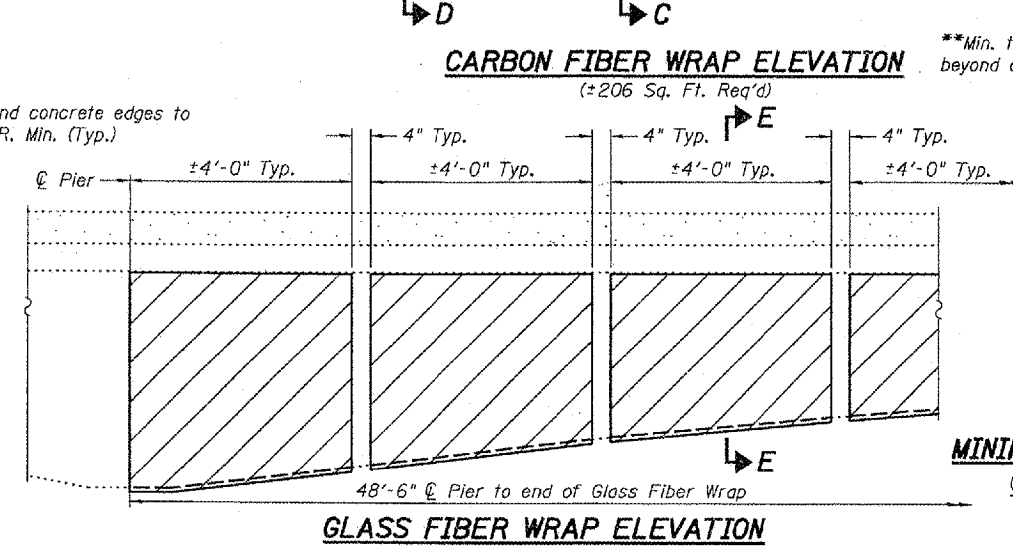
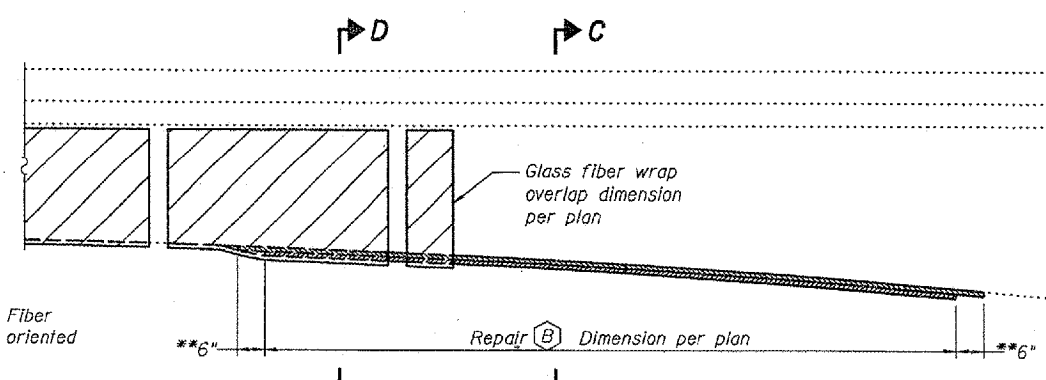
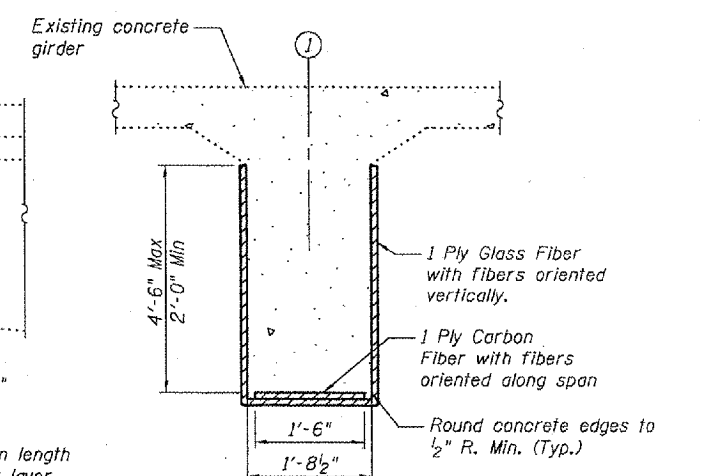
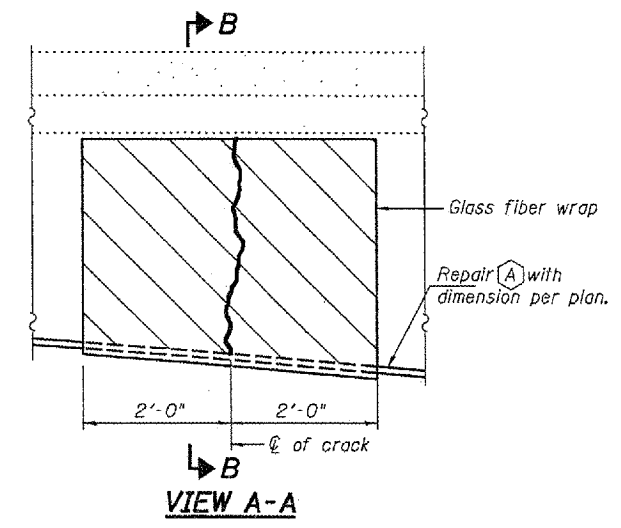
**GENERAL NOTES**

Plan dimensions and details relative to existing plans are subject to routine variations. The Contractor shall field verify existing dimensions and details affecting new construction and make necessary approved adjustments prior to construction or ordering of materials. Such variations shall not be cause for additional compensation for a change in scope of the work, however, the Contractor will be paid for the quantity actually furnished based upon the unit price bid for the work.

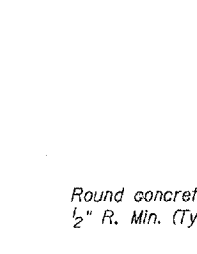
Acrylic coating shall be applied to all surfaces of the fiber wrap. In those areas of the fascia beams where fiber wrap is not applied, acrylic coating shall also be applied to the concrete on the exterior vertical surface and bottom surface.



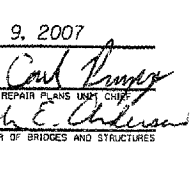
- PLAN**
- (A) 1 Ply Carbon Fiber Wrap
  - (B) 2 Ply Carbon Fiber Wrap
  - (C) Glass Fiber Wrap



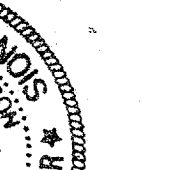
**SECTION C-C**



**SECTION D-D**



**SECTION E-E**



**TOTAL BILL OF MATERIAL**

ITEM	UNIT	QUANTITY
Fiber Wrap	Sq. Ft.	1240
Acrylic Coating	Sq. Yd.	309.4
Structural Repair of Concrete (Depth Equal to or Less Than 5")	Sq. Ft.	78
Structural Repair of Concrete (Depth Greater Than 5")	Sq. Ft.	36
Epoxy Crack Injection	Foot	26
Controlled Low-Strength Material	Cu. Yd.	0.3
Polymer Modified Portland Cement Mortar	Sq. Ft.	3.3

**MINIMUM CURED LAMINATE PROPERTIES PLAN AND ELEVATION**

CARBON FIBER	GLASS FIBER
$f_{fu} = 100,000$ psi	$f_{fu} = 77,000$ psi
$E_f = 9,400,000$ psi	$E_f = 3,400,000$ psi
Ply thickness = 0.04"	Ply thickness = 0.04"

F.A.I. RT. 57  
KANKAKEE COUNTY  
SN 046-0058



DESIGNED: [Signature]  
CHECKED: [Signature]  
DRAWN: [Signature]  
CHECKED: SJB

May 9, 2007  
EXAMINED: [Signature]  
PASSED: [Signature]  
ENGINEER OF BRIDGES AND STRUCTURES

Expires: November 30, 2008