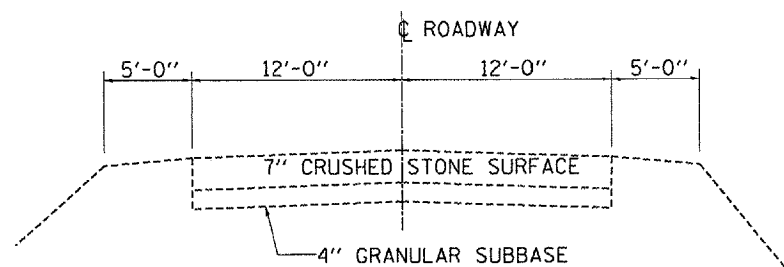
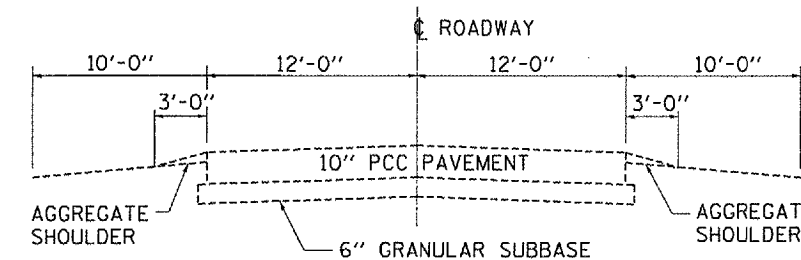


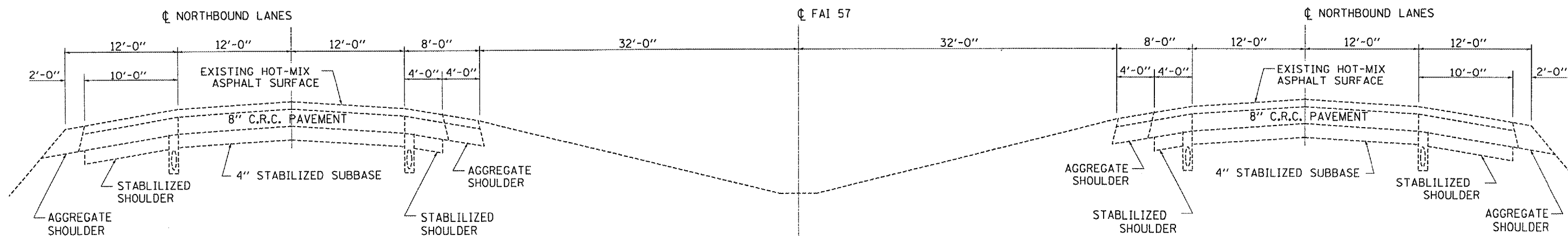
F.A.I. RTE.	SECTION	COUNTY	TOTAL SHEETS	SHEET NO.
57	(46-1HB,HBK)I	KANKAKEE	9	4



TYPICAL SECTION
TR 37
(SN 046-0086)



TYPICAL SECTION
MANTENO ROAD
(SN 046-0058)



TYPICAL SECTION
FAI 57

DATE: 3/7/2007
 c:/projects/cm316/details.dgn

REVISIONS	
NAME	DATE

ILLINOIS DEPARTMENT OF TRANSPORTATION
TYPICAL SECTIONS
 F.A.I. ROUTE 57 (I-57)
 SECTION: (46-1HB,HBK)I
 KANKAKEE COUNTY
 S.N. 046-0058 & S.N. 046-0086