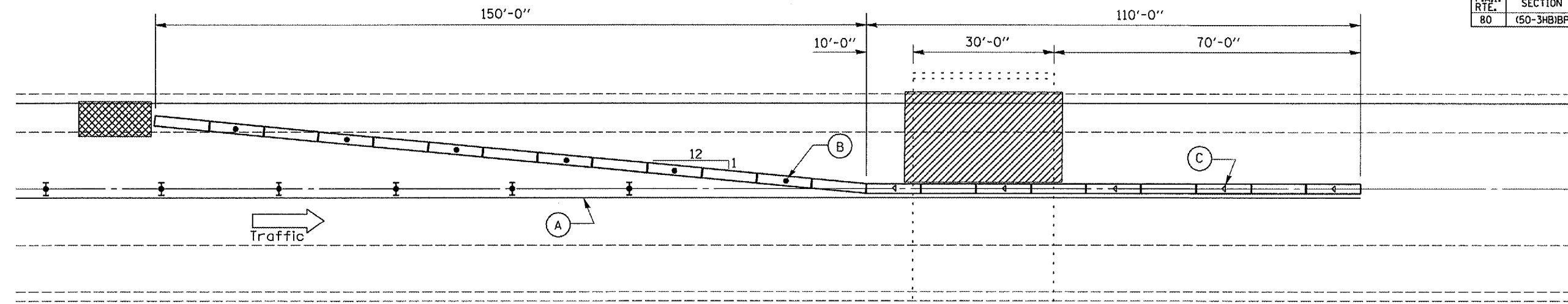


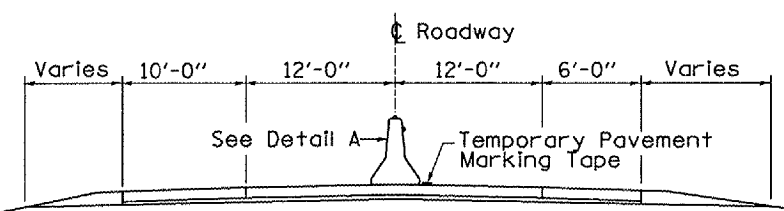
F.A.I. RTE.	SECTION	COUNTY	TOTAL SHEETS	SHEET NO.
80	(50-3HB)BP	LASALLE	8	6



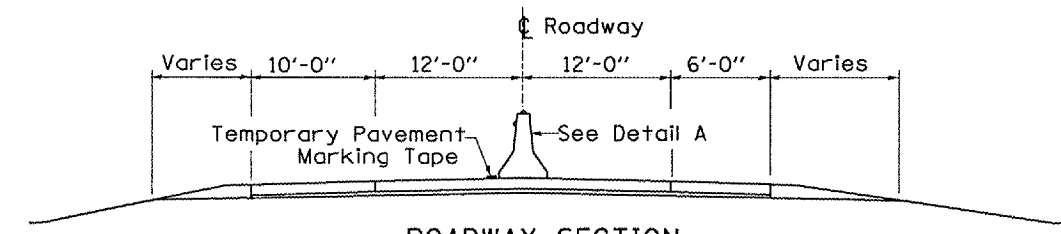
**LENGEND**

- Work Zone
- Type II barricade, drum or vertical barricade with steady burn monodirectional light
- Temporary concrete barrier
- Impact attenuator

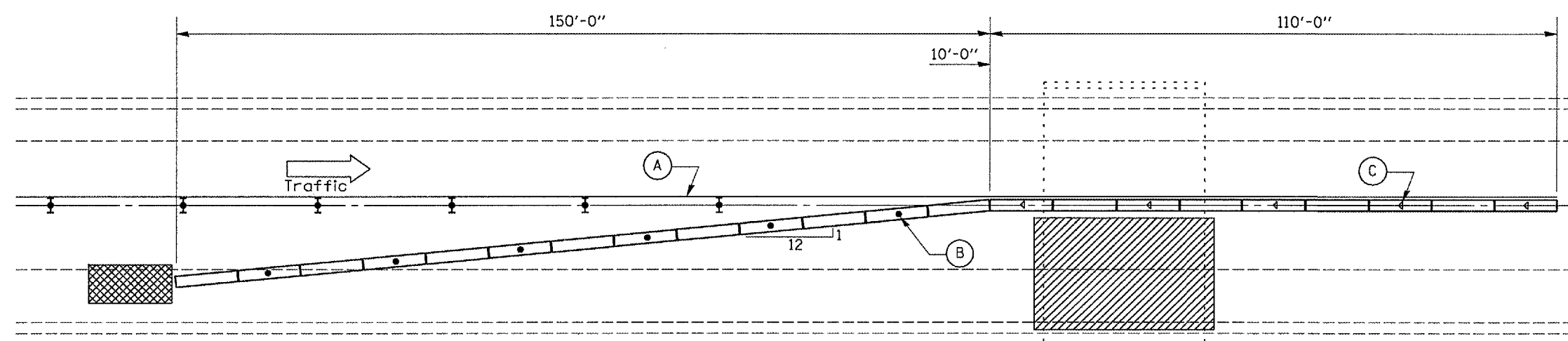
**PLAN VIEW  
PASSING LANE CLOSED**



**ROADWAY SECTION  
PASSING LANE CLOSED**



**ROADWAY SECTION  
DRIVING LANE CLOSED**



**PLAN VIEW  
DRIVING LANE CLOSED**

- (A) ReflectORIZED temporary pavement marking tape shall be placed throughout the taper and along side the work area. The edge line shall be white for right lane closure.
- (B) Vertical panels at 25' centers with steady burning
- (C) Type "C" monodirectional reflector

REVISIONS	
NAME	DATE

ILLINOIS DEPARTMENT OF TRANSPORTATION  
**TEMPORARY CONCRETE BARRIER DETAILS**  
 FAI ROUTE 80 (I-80) SECTION (50-3HB)BP  
 LASALLE COUNTY  
 SN 050-0127 (TR 170)

**Work this sheet with Traffic Control Standard 701402 (SPECIAL)**

Date: 03/12/2007 project: bridgepaint\_07/050-0127.dgn