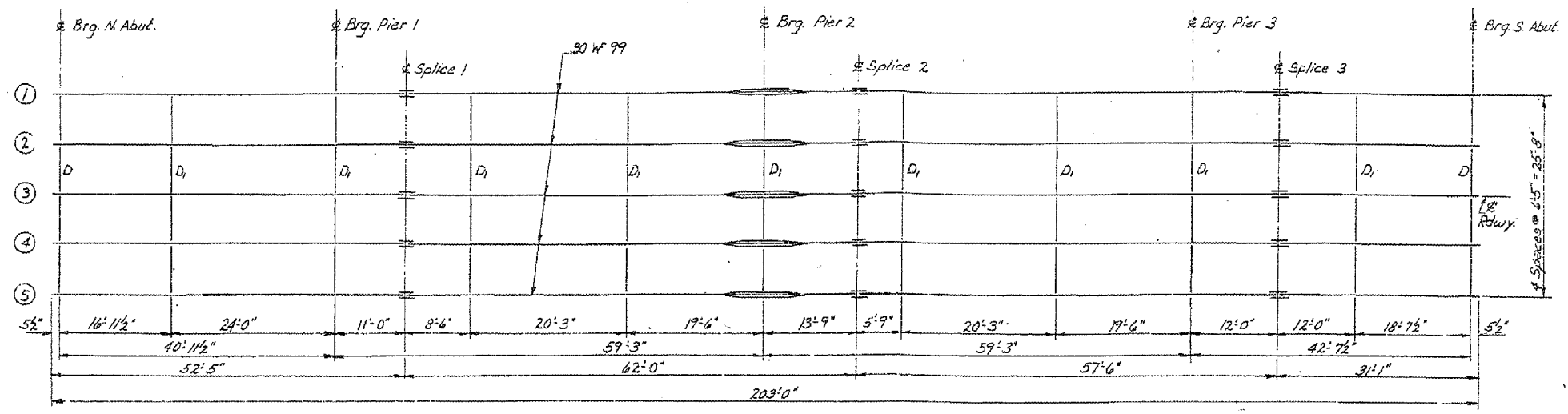
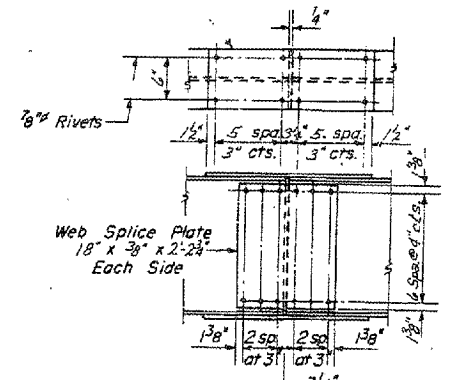


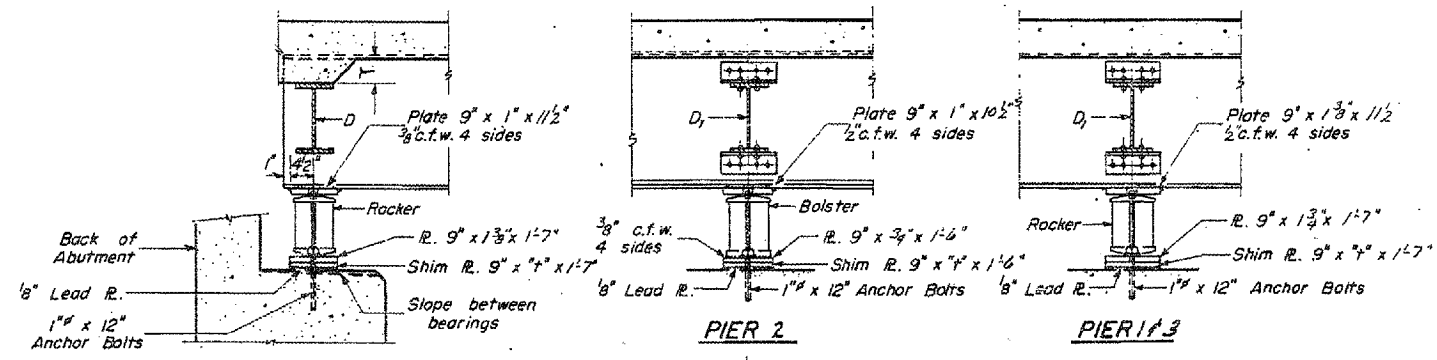
F.A.I. RTE.	SECTION	COUNTY	TOTAL SHEETS	SHEET NO.
80	(50-3HB)BP	LASALLE	8	8



**STEEL FRAMING PLAN**



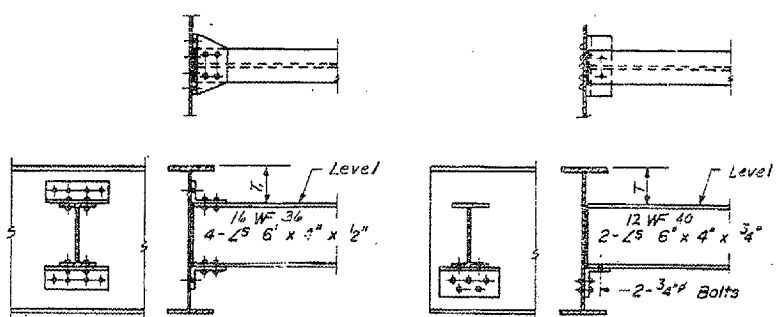
**DETAIL OF SPLICE**



**SECTION AT ABUTMENT**

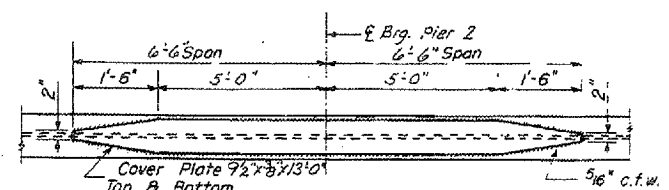
**PIER 2**

**PIER 1 & 3**

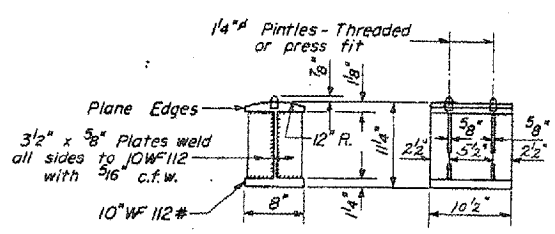


**INT. DIAPHRAGM D**  
36 Required

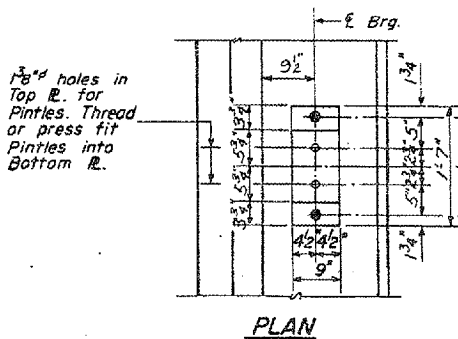
**END DIAPHRAGM D**  
8 Required



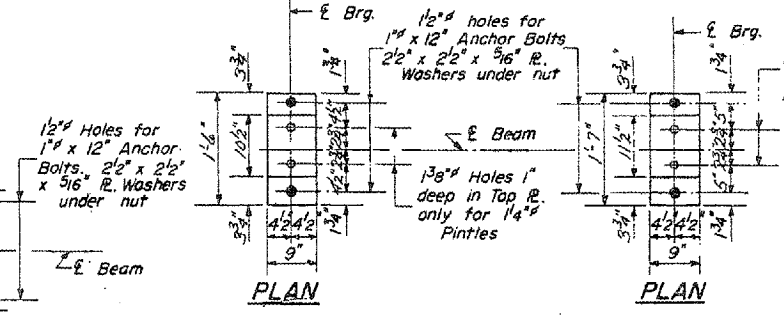
**DETAIL OF COVER PLATES**



**DETAIL OF BEARING AT PIER 2**  
5 - Required

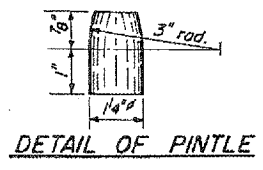


**PLAN**

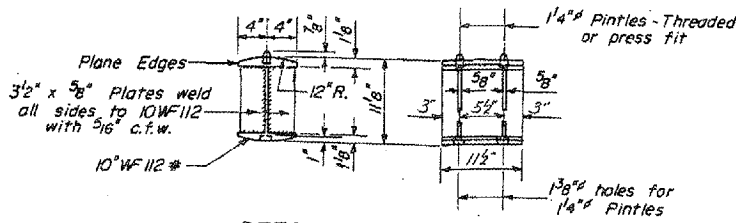


**PLAN**

**PLAN**



**DETAIL OF PINTLE**



**DETAIL OF BEARING AT PIER 1, 3 & ABUTS**  
20 - Required

"FOR INFORMATION ONLY"

REVISIONS	
NAME	DATE

ILLINOIS DEPARTMENT OF TRANSPORTATION  
**EXISTING STRUCTURE PLANS**  
 FAI ROUTE 80 (I-80) SECTION (50-3HB)BP  
 LASALLE COUNTY  
 SN 050-0127 (TR 170)

Date: 03/12/2007  
 project: bridgepaint\_07/050-0127.dgn