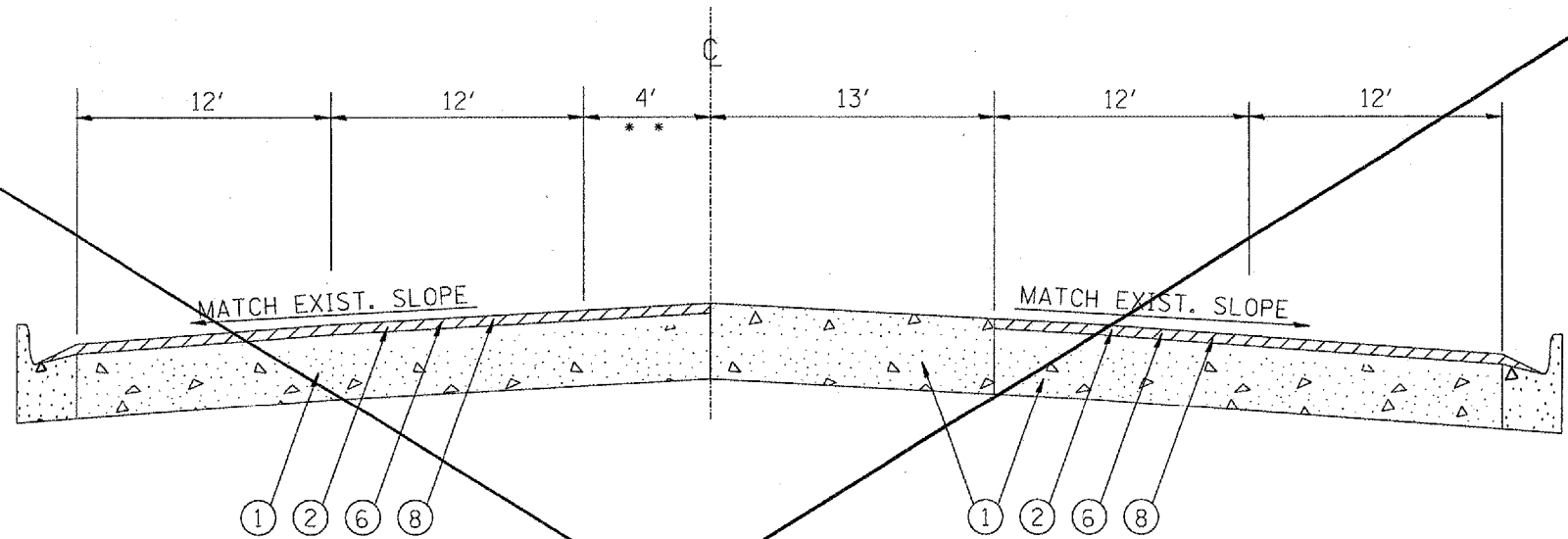


CONTRACT NO. 68351

F.A.U. RTE.	SECTION	COUNTY	TOTAL SHEETS	SHEET NO.
35RS-5,36RS-8	TAZEWELL		90	20


STA.	TO STA.

FED. ROAD DIST. NO.	ILLINOIS FED. AID PROJECT
	6717 (BUS 24) & 6713 (IL 8)



LEGEND

- ① EXISTING PAVEMENT
- ② EXISTING HMA OVERLAY
- ③ EXISTING HMA SHOULDERS
- ④ EXISTING AGGREGATE SHOULDERS
- ⑤ PROPOSED HMA SURFACE REMOVAL - 1/2"
- ⑥ PROPOSED HMA SURFACE REMOVAL - 1 1/2"
- ⑦ PROPOSED LEVELING BINDER (MACHINE METHOD) - 3/4"
- ⑧ PROPOSED HMA SURFACE COURSE - 1 1/2"
- ⑨ PROPOSED HMA SHOULDERS
- ⑩ PROPOSED AGGREGATE SHOULDERS
- * * EXISTING 4' PCC MEDIAN STA. 191+00 TO STA 192+73.88



SHEET DELETED
 6/1/07

REVISIONS	
NAME	DATE

ILLINOIS DEPARTMENT OF TRANSPORTATION
 EXISTING/PROPOSED
 TYPICAL SECTIONS
 F.A.U. 6713 (IL 8)

SCALE: VERT. NOT TO SCALE HORIZ. DATE	DRAWN BY CHECKED BY
--	------------------------

PLOT DATE: 4/1/2007
 FILE NAME: 191+00 to 192+73.88.dwg
 PLOT SCALE: 1/8" = 1'-0"
 REFERENCE: * REF *