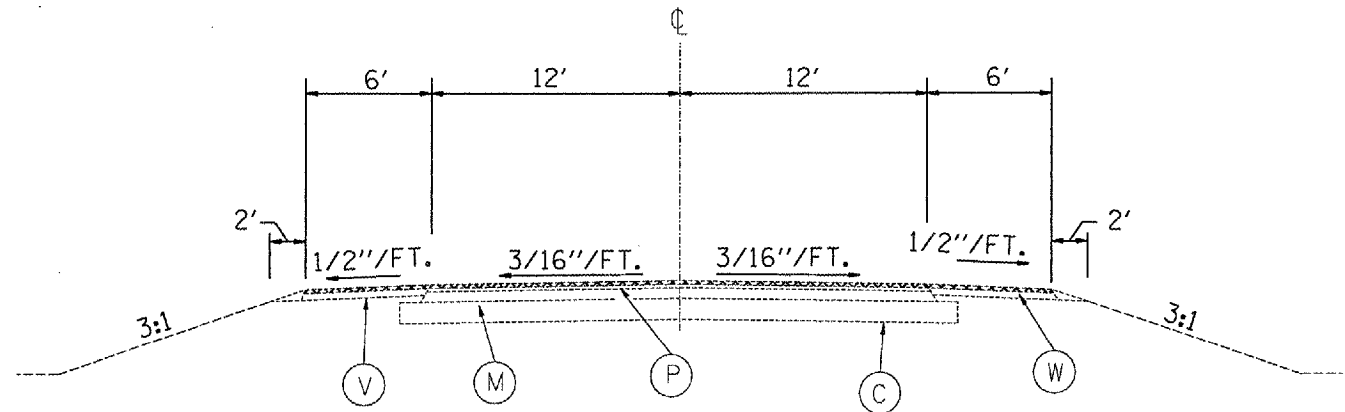
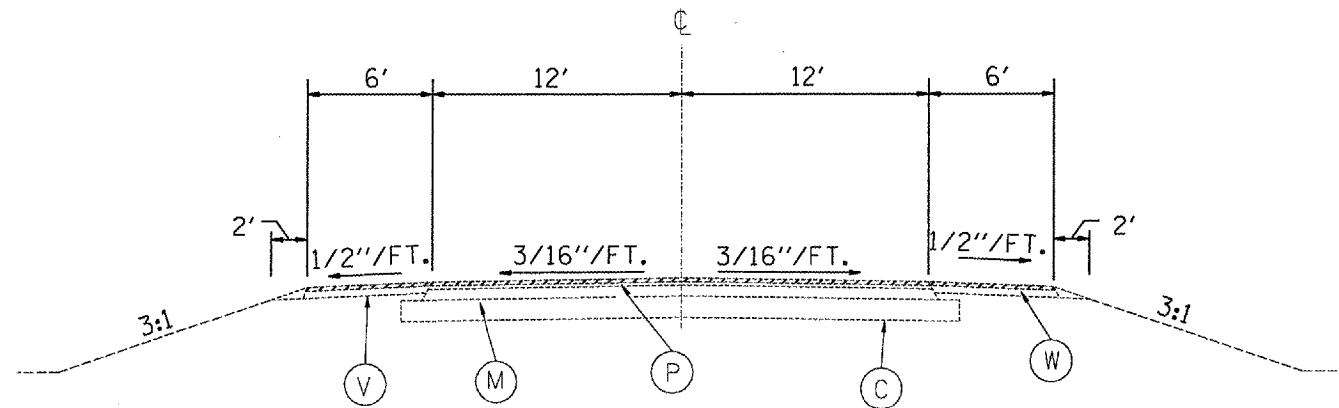


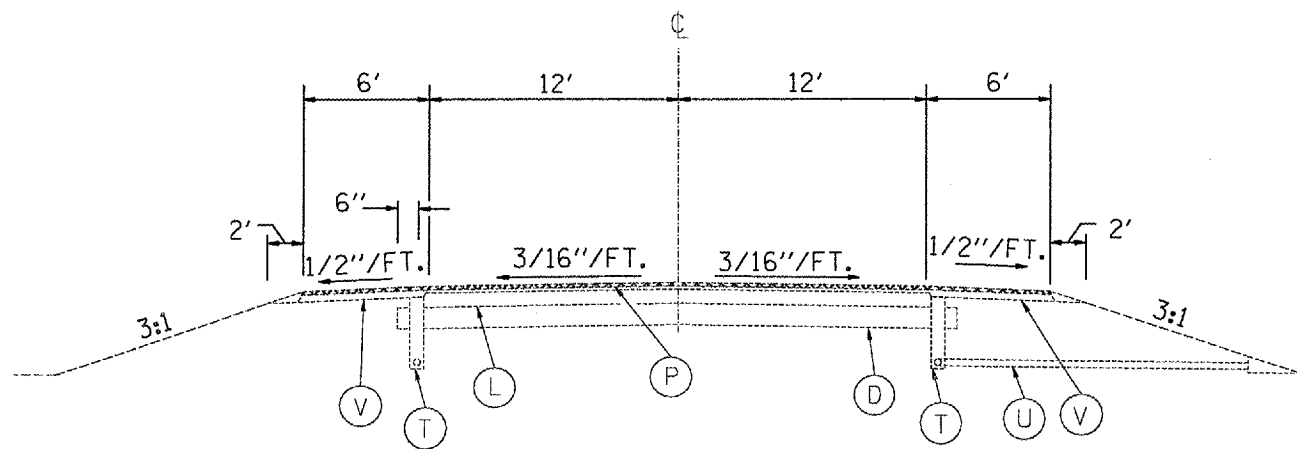
F.A.U. RTE.	SECTION	COUNTY	TOTAL SHEETS	SHEET NO.
*	35RS-5,36RS-8	TAZEWELL	90	18
STA.		TO STA.		
FED. ROAD DIST. NO.		ILLINOIS FED. AID PROJECT		
*6717 (BUS 24) & 6713 (LL B)				



SPRING CREEK ROAD (SOUTH)
STA. 10+12.80 TO STA. 11+26.20



LEGION ROAD
STA. 10+36.80 TO STA. 11+21



SPRING CREEK ROAD (NORTH)
STA. 12+54.43 TO STA. 13+73.60

- EXISTING LEGEND
- (A) GRANULAR SUB-BASE, 4"
 - (B) SUB-BASE GRANULAR MATERIAL, TYPE C
 - (C) SUB-BASE GRANULAR MATERIAL, TYPE A, 12"
 - (D) LIME MODIFIED SOIL, 12"
 - (E) P.C.C. PAVEMENT, 10"
 - (F) P.C.C. PAVEMENT 8"
 - (G) BIT. CONC. PAVEMENT; 13 1/4" BINDER, 1/2" SURFACE
 - (H) BIT. CONC. BINDER COURSE, TYPE 2, 11 1/2"
 - (I) BITUMINOUS BASE COURSE, 10 3/4"
 - (J) LEVELING BINDER (MACHINE METHOD), TYPE 2
 - (K) LEVELING BINDER (MACHINE METHOD), TYPE 2, 3/4"
 - (L) BITUMINOUS BASE COURSE, 8"
 - (M) BITUMINOUS BASE COURSE, 6"
 - (N) P.C.C. BASE COURSE, 8 1/2"
 - (O) BIT. CONC. BINDER COURSE, TYPE 2, 1 1/2"
 - (P) BCSC, MIX D, CL I, TYPE 2, 1 1/2"
 - (Q) STRIP REFLECTIVE CRACK CONTROL TREATMENT, SYSTEM A
 - (R) BITUMINOUS SHOULDER
 - (S) BITUMINOUS MIXTURE COMPLETE MODIFIED, 3"
 - (T) PIPE UNDERDRAINS, 4"
 - (U) PIPE UNDERDRAIN, 4" SPECIAL
 - (V) AGGREGATE SHOULDER, TYPE B
 - (W) SHOULDER RUMBLE STRIP
 - (X) CONCRETE GUTTER, TYPE B (MODIFIED)
 - (Y) CCC&G B-9.24
 - (Z) CONCRETE MEDIAN SURFACE, 4"

- HMA SURFACE REMOVAL, 3/4"
- HMA SURFACE REMOVAL, 1 1/2"

REVISIONS	
NAME	DATE

ILLINOIS DEPARTMENT OF TRANSPORTATION

EXISTING
TYPICAL SECTIONS
SIDEROADS

SCALE: VERT.
HORIZ.

DRAWN BY
CHECKED BY