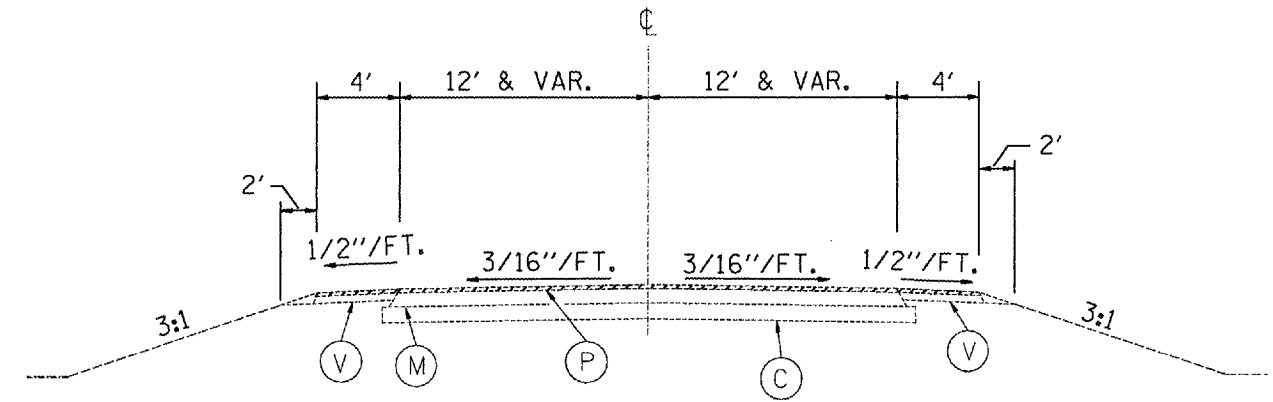
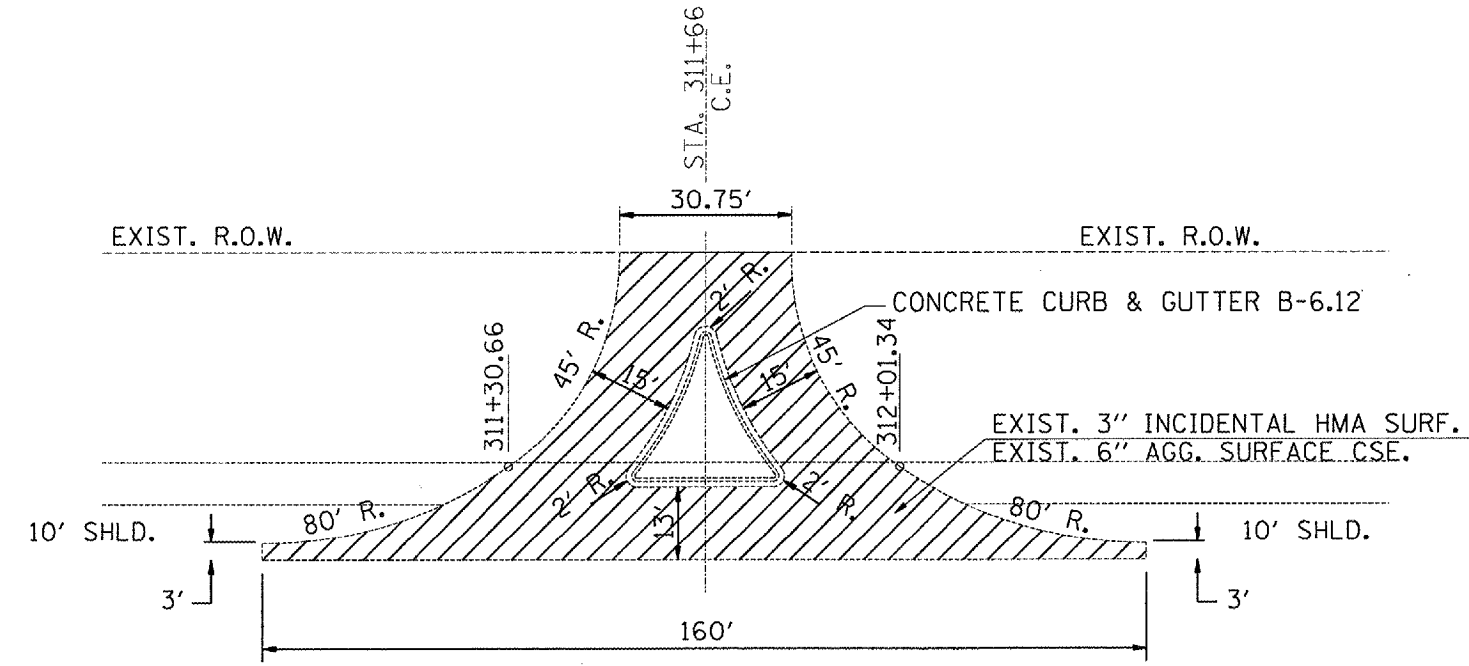


F.A.U. RTE.	SECTION	COUNTY	TOTAL SHEETS	SHEET NO.
•	35RS-5,36RS-8	TAZEWELL	90	19
STA. TAZEWELL		TO STA. TAZEWELL		
FED. ROAD DIST. NO.		ILLINOIS FED. AID PROJECT		

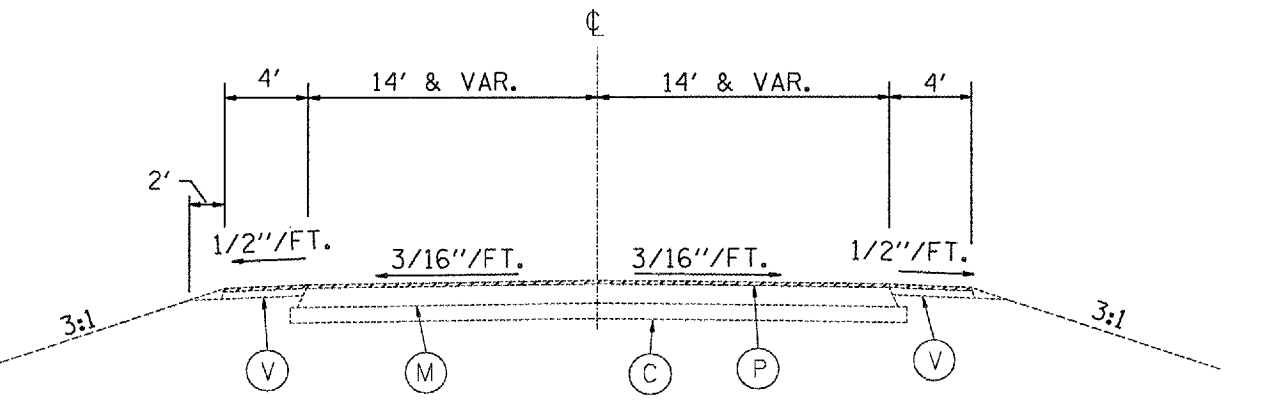
*6717 (BUS 24) & 6713 (IL 8)



WESTLAKE RD. (LAKESHORE DR.)
STA. 10+12 TO STA. 10+84



PLAN VIEW
CHERRY TREE SHOPPING CENTER ENTRANCE
LT. STA. 311+66



HIGHWOODS ROAD
STA. 0+74.46 TO 1+45.11

EXISTING LEGEND

- (A) GRANULAR SUB-BASE, 4"
- (B) SUB-BASE GRANULAR MATERIAL, TYPE C
- (C) SUB-BASE GRANULAR MATERIAL, TYPE A, 12"
- (D) LIME MODIFIED SOIL, 12"
- (E) P.C.C. PAVEMENT, 10"
- (F) P.C.C. PAVEMENT 8"
- (G) BIT. CONC. PAVEMENT; 13 1/4" BINDER, 1 1/2" SURFACE
- (H) BIT. CONC. BINDER COURSE, TYPE 2, 11 1/2"
- (I) BITUMINOUS BASE COURSE, 10 3/4"
- (J) LEVELING BINDER (MACHINE METHOD), TYPE 2
- (K) LEVELING BINDER (MACHINE METHOD), TYPE 2, 3/4"
- (L) BITUMINOUS BASE COURSE, 8"
- (M) BITUMINOUS BASE COURSE, 6"
- (N) P.C.C. BASE COURSE, 8 1/2"
- (O) BIT. CONC. BINDER COURSE, TYPE 2, 1 1/2"
- (P) BCSC, MIX D, CL I, TYPE 2, 1 1/2"
- (Q) STRIP REFLECTIVE CRACK CONTROL TREATMENT, SYSTEM A
- (R) BITUMINOUS SHOULDER
- (S) BITUMINOUS MIXTURE COMPLETE MODIFIED, 3"
- (T) PIPE UNDERDRAINS, 4"
- (U) PIPE UNDERDRAIN, 4" SPECIAL
- (V) AGGREGATE SHOULDER, TYPE B
- (W) SHOULDER RUMBLE STRIP
- (X) CONCRETE GUTTER, TYPE B (MODIFIED)
- (Y) CCC&G B-9.24
- (Z) CONCRETE MEDIAN SURFACE, 4"

- ▨ HMA SURFACE REMOVAL, 3/4"
- ▩ HMA SURFACE REMOVAL, 1 1/2"

REVISIONS	
NAME	DATE

ILLINOIS DEPARTMENT OF TRANSPORTATION
**EXISTING
TYPICAL SECTIONS
SIDEROADS & ENTRANCE**
SCALE: VERT. _____
HORIZ. _____
DATE _____
DRAWN BY _____
CHECKED BY _____

PLOT DATE = 4/1/2007
 FILE NAME = G:\Projects\68351\Drawings\68351-19.dgn
 PLOT SCALE = 1"=40'
 REFERENCE = NBEF