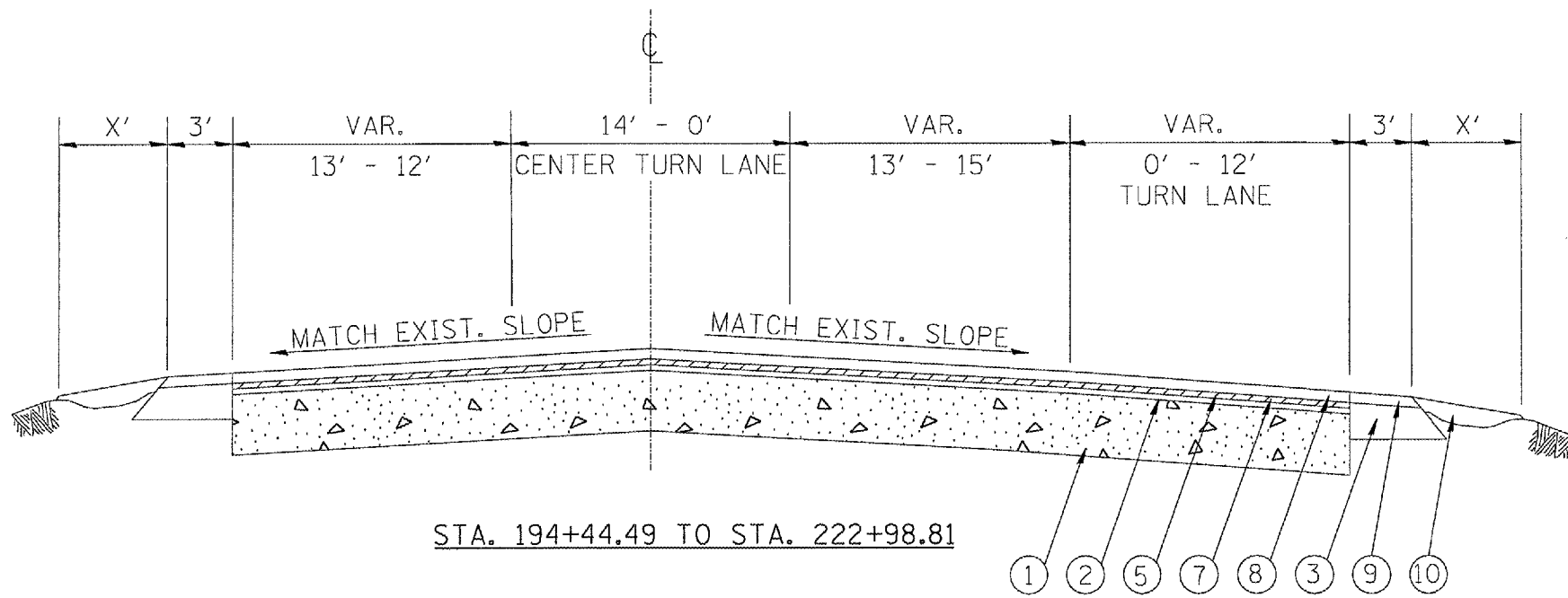


F.A.U. RTE.	SECTION	COUNTY	TOTAL SHEETS	SHEET NO.
• 35RS-5,36RS-8	TAZEWELL	90	22	
STA. TO STA.				
FED. ROAD DIST. NO.		ILLINOIS FED. AID PROJECT		
• 6717 (BUS 24) & 6713 (IL 8)				



**LEGEND**

- ① EXISTING PAVEMENT
- ② EXISTING HMA OVERLAY
- ③ EXISTING HMA SHOULDERS
- ④ EXISTING AGGREGATE SHOULDERS
- ⑤ PROPOSED HMA SURFACE REMOVAL - 1/2"
- ⑥ PROPOSED HMA SURFACE REMOVAL - 1 1/2"
- ⑦ PROPOSED LEVELING BINDER (MACHINE METHOD) - 3/4"
- ⑧ PROPOSED HMA SURFACE COURSE - 1 1/2"
- ⑨ PROPOSED HMA SHOULDERS
- ⑩ PROPOSED AGGREGATE SHOULDERS

REVISIONS	
NAME	DATE

ILLINOIS DEPARTMENT OF TRANSPORTATION  
**EXISTING/PROPOSED  
 TYPICAL SECTIONS  
 F.A.U. 6713 (IL 8)**  
 SCALE: VERT. NOT TO SCALE  
 HORIZ. DATE DRAWN BY CHECKED BY

PLOT DATE = 4/1/2007  
 PLOT NAME = I:\Projects\68351\Drawings\Typical\Typical.dwg  
 PLOT SCALE = 1/8"=1'-0"  
 REFERENCE = NREFS