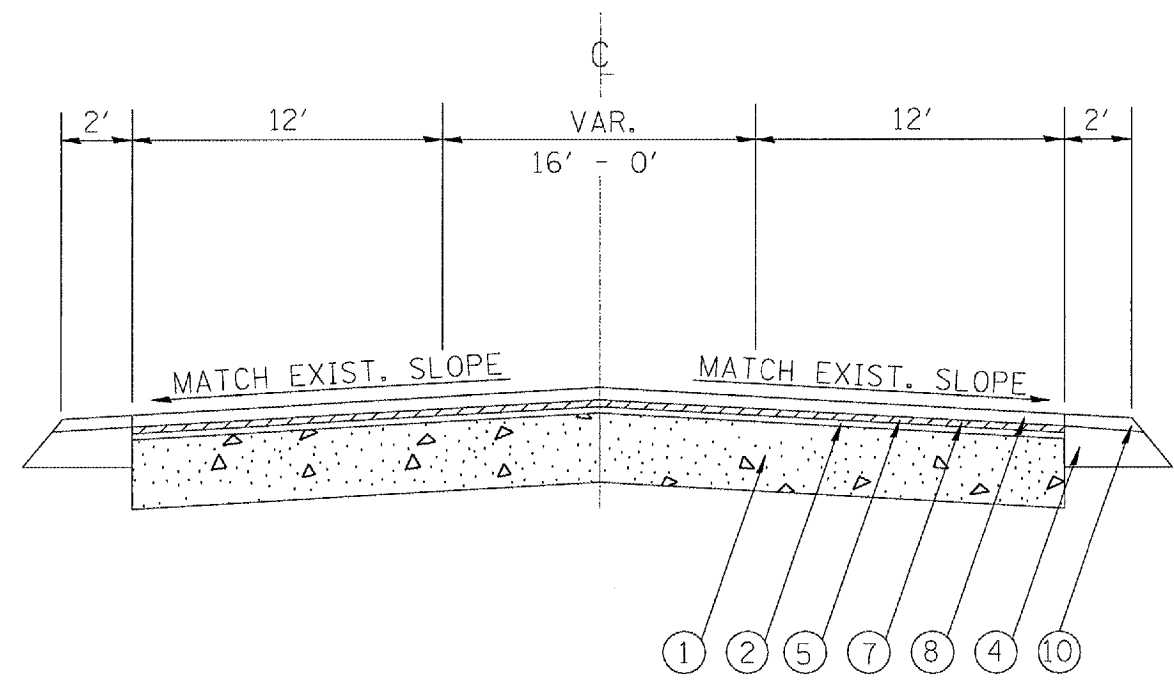


F.A.U. RTE.	SECTION	COUNTY	TOTAL SHEETS	SHEET NO.
• 35RS-5,36RS-8	TAEWELL	90	24	
STA.		TO STA.		
FED. ROAD DIST. NO.	ILLINOIS	FED. AID PROJECT		
• 6717 (BUS 24) & 6713 (IL 8)				



STA. 231+28.87 TO STA. 259+35.00

LEGEND

- ① EXISTING PAVEMENT
- ② EXISTING HMA OVERLAY
- ③ EXISTING HMA SHOULDERS
- ④ EXISTING AGGREGATE SHOULDERS
- ⑤ PROPOSED HMA SURFACE REMOVAL - 1/2"
- ⑥ PROPOSED HMA SURFACE REMOVAL - 1 1/2"
- ⑦ PROPOSED LEVELING BINDER (MACHINE METHOD) - 3/4"
- ⑧ PROPOSED HMA SURFACE COURSE - 1 1/2"
- ⑨ PROPOSED HMA SHOULDERS
- ⑩ PROPOSED AGGREGATE SHOULDERS

PLOT DATE = 4/4/2007
 FILE NAME = c:\projects\bus24\conault.spl.dgn
 PLOT SCALE = 1/8"=1'-0"
 REFERENCE = REF9

REVISIONS	
NAME	DATE

ILLINOIS DEPARTMENT OF TRANSPORTATION
**EXISTING/PROPOSED
 TYPICAL SECTIONS
 F.A.U. 6713 (IL 8)**

SCALE: VERT. NOT TO SCALE
 DATE: _____ HORIZ. _____

DRAWN BY _____
 CHECKED BY _____