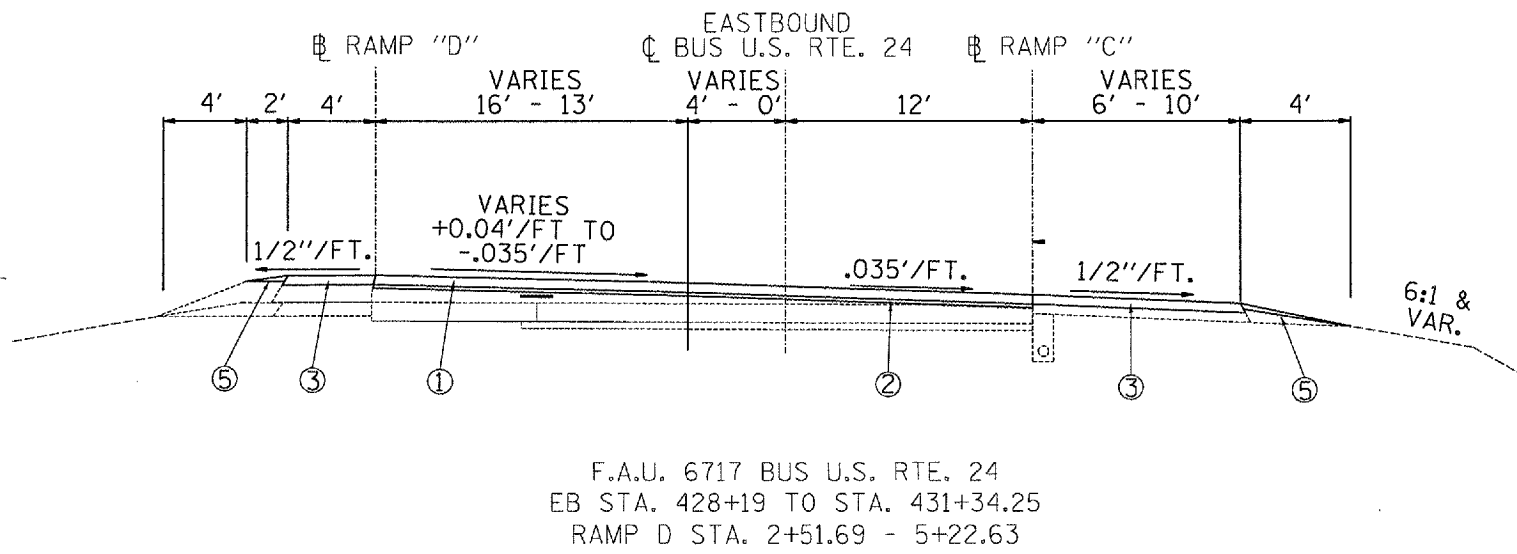
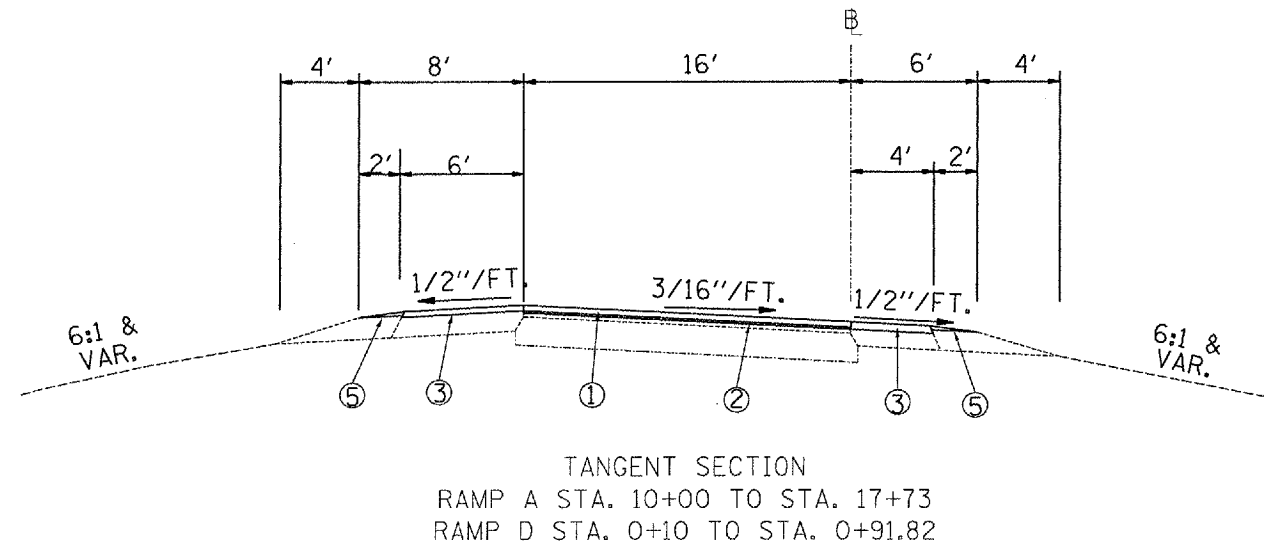
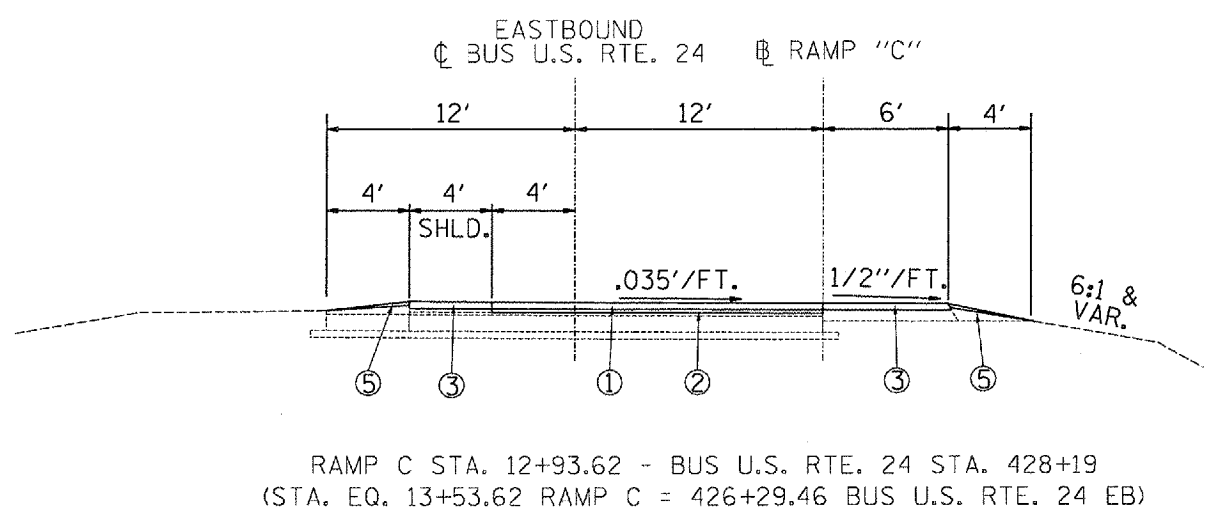
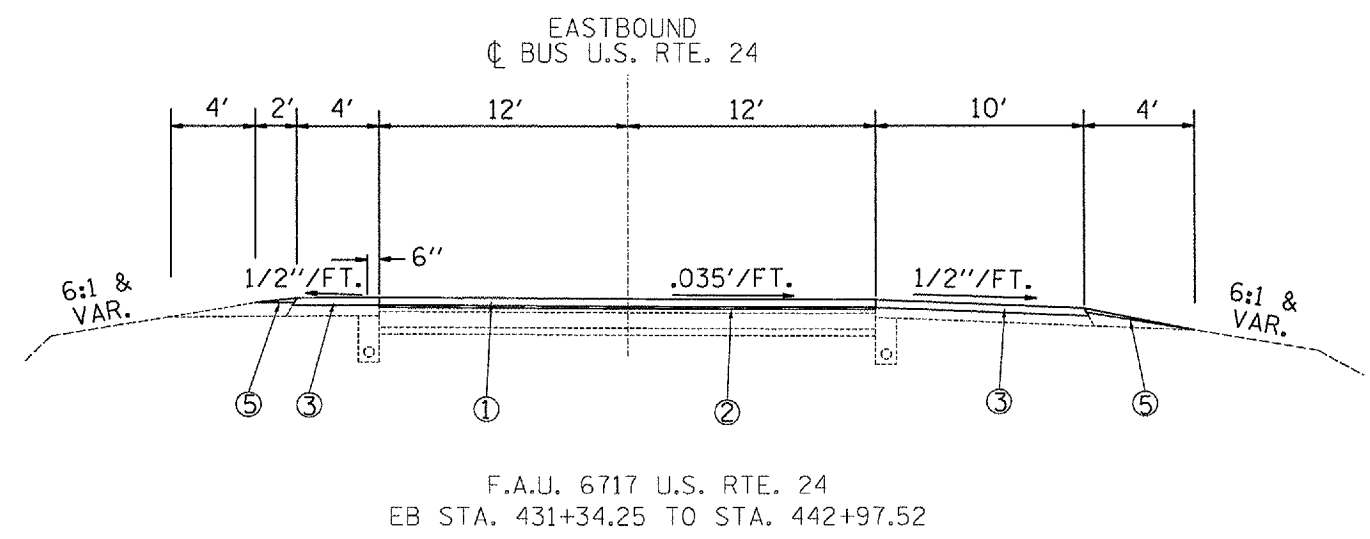


F.A.U. RTE.	SECTION	COUNTY	TOTAL SHEETS	SHEET NO.
*	35RS-5,36RS-8	TAZEWELL	90	26
STA.		TO STA.		
FED. ROAD DIST. NO.		ILLINOIS FED. AID PROJECT		
*6717 (BUS 24) & 6713 (IL 8)				



PROPOSED LEGEND

- ① POLYMER HMA SC, MIX D, N70, 1 1/2"
- ② LEVELING BINDER (MACHINE METHOD), N50, 3/4"
- ③ HMA SURFACE COURSE, MIX C, N50, 1 1/2"
- ④ INCIDENTAL HMA SURFACING, 1 1/2"
- ⑤ AGGREGATE SHOULDERS, TYPE B



REVISIONS	
NAME	DATE

ILLINOIS DEPARTMENT OF TRANSPORTATION
 PROPOSED
 TYPICAL SECTIONS
 RAMPS A, C, D
 F.A.U. 6717 (BUS 24)

SCALE: VERT. DATE
 HORIZ. DRAWN BY
 CHECKED BY

PLOT DATE = 4/1/2007
 FILE NAME = c:\projects\bus24\consult\typ.dgn
 PLOTTER = HPGL-2
 REFERENCE = SHEET