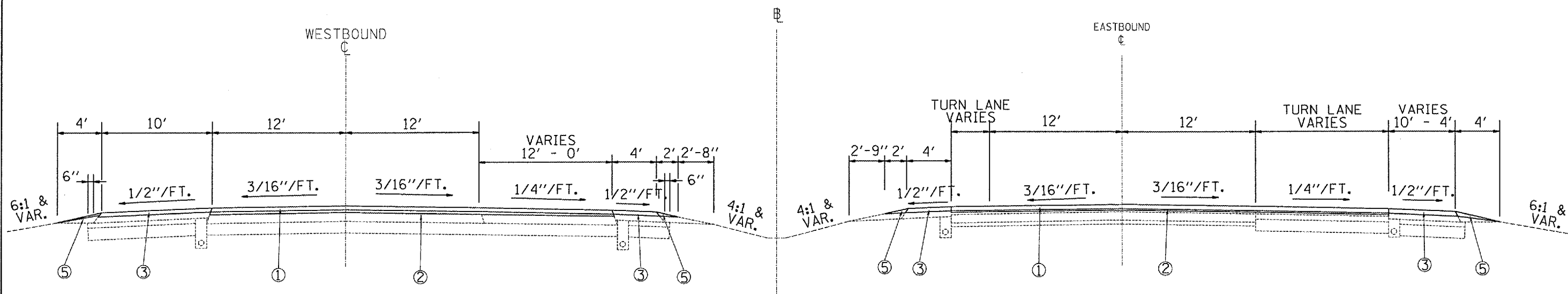
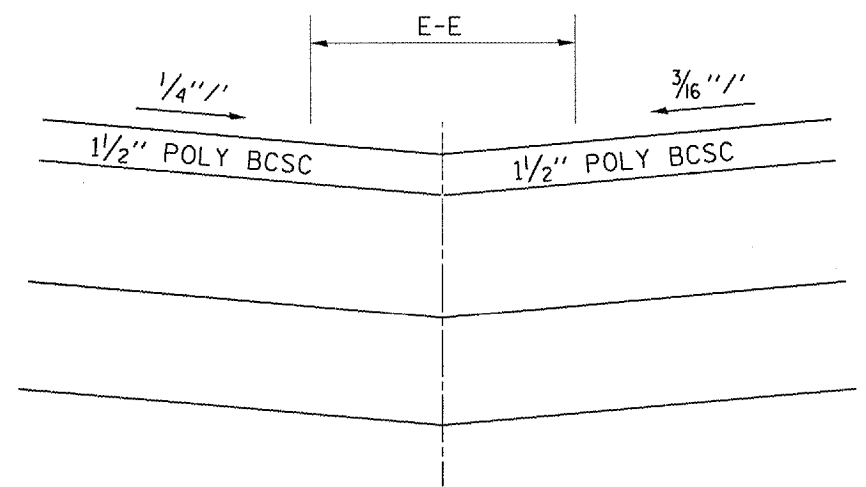


F.A.U. RTE.	SECTION	COUNTY	TOTAL SHEETS	SHEET NO.
35RS-5,36RS-B	TAEWELL		90	27
STA.		TO STA.		
FED. ROAD DIST. NO.		ILLINOIS	FED. AID PROJECT	
*6717 (BUS 24) & 6713 (IL B)				



F.A.U. 6717 BUS U.S. RTE. 24 TANGENT SECTION
 STA. 449+26.41 TO STA. 474+98.31 WESTBOUND
 STA. 442+97.52 TO STA. 470+35.75 EASTBOUND
 STA. 456+67.26 TO STA. 467+71.26 (TURNING LANES)
 STA. 470+35.75 - STA. 486+47.15 EB TO BE MILLED 2 1/4"
 STA. 474+98.31 - STA. 490+93.10 WB TO BE MILLED 2 1/4"
 SEE PLAN SHEET FOR TRANSITION AREAS

MEDIAN CROSSOVER STA. 462+21.10



PROPOSED LEGEND

- ① POLYMER HMA SC, MIX D, N70, 1 1/2"
- ② LEVELING BINDER (MACHINE METHOD), N50, 3/4"
- ③ HMA SURFACE COURSE, MIX C, N50, 1 1/2"
- ④ INCIDENTAL HMA SURFACING, 1 1/2"
- ⑤ AGGREGATE SHOULDERS, TYPE B

REVISIONS	
NAME	DATE

ILLINOIS DEPARTMENT OF TRANSPORTATION
 PROPOSED
 TYPICAL SECTIONS
 F.A.U. 6717
 (BUS 24)

SCALE: VERT. 1"=4'
 HORIZ. 1"=40'

DATE: _____ DRAWN BY: _____
 CHECKED BY: _____

PLOT DATE = 4/4/2007
 PLOT SCALE = 1/8"=1'-0"
 REFERENCE = BREF#