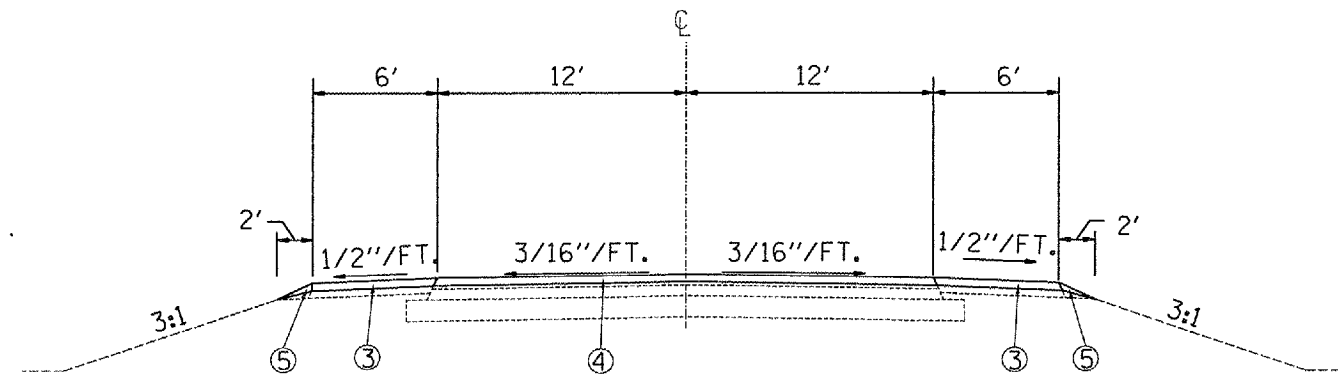
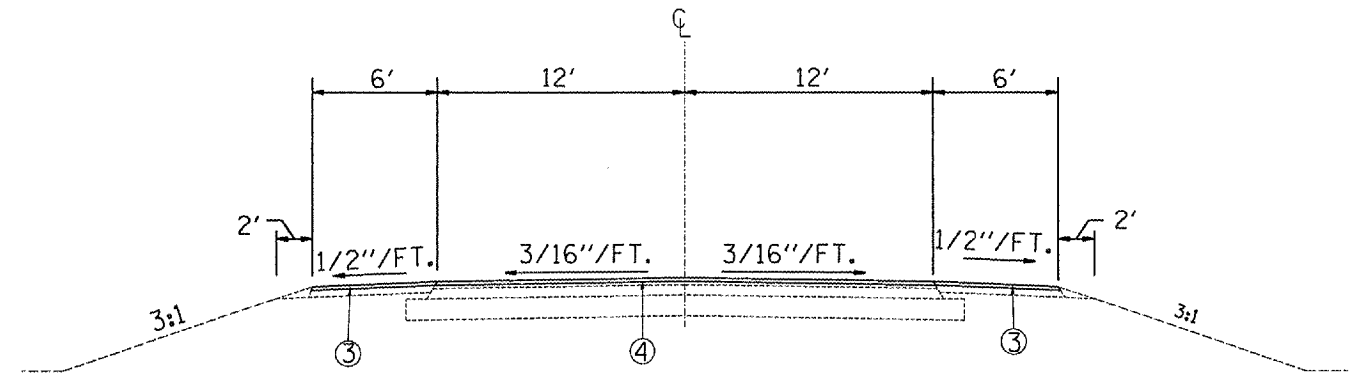


F.A.U. RTE.	SECTION	COUNTY	TOTAL SHEETS	SHEET NO.
35RS-5,36RS-8	TAZEWELL		90	32
STA.		TO STA.		
FED. ROAD DIST. NO.		ILLINOIS	FED. AID PROJECT	
*6717 (BUS 24) & 6713 (IL 8)				



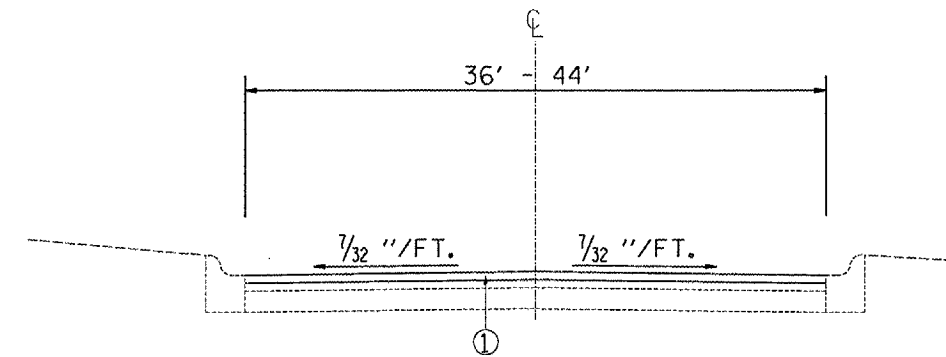
SPRING CREEK ROAD (SOUTH)
STA. 10+12.80 TO STA. 11+26.20



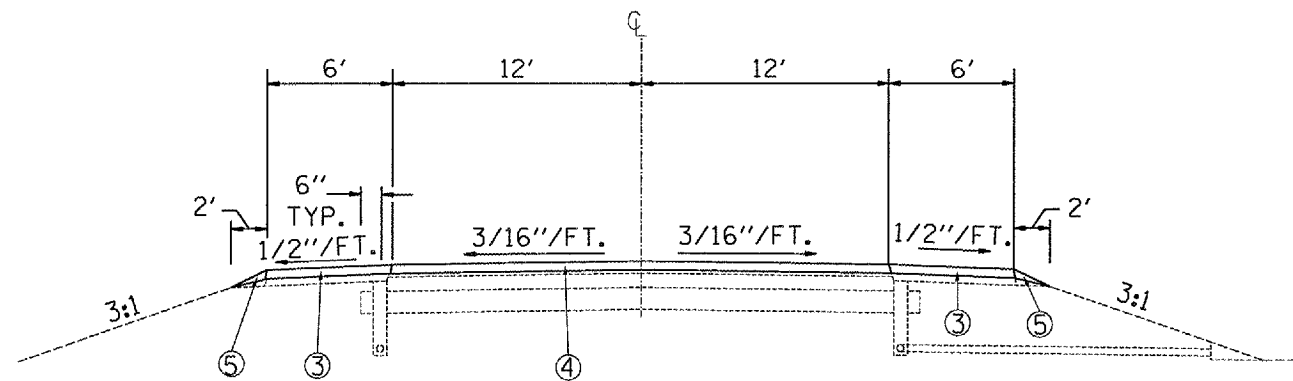
LEGION ROAD
STA. 10+36.80 TO STA. 11+21

PROPOSED LEGEND

- ① POLYMER HMA SC, MIX D, N70, 1 1/2"
- ② LEVELING BINDER (MACHINE METHOD), N50, 3/4"
- ③ HMA SURFACE COURSE, MIX C, N50, 1 1/2"
- ④ INCIDENTAL HMA SURFACING, 1 1/2"
- ⑤ AGGREGATE SHOULDERS, TYPE B



CUMMINGS LANE
STA. 19+88.50 TO STA. 26+13



SPRING CREEK ROAD (NORTH)
STA. 12+54.43 TO STA. 13+73.60

PLOT DATE = 4/4/2007
 PLOT SCALE = 1/8" = 1'-0"
 REFERENCE = #REF#

REVISIONS	
NAME	DATE

ILLINOIS DEPARTMENT OF TRANSPORTATION

**PROPOSED
TYPICAL SECTIONS
SIDEROADS**

SCALE: VERT. _____
HORIZ. _____

DATE _____ DRAWN BY _____
CHECKED BY _____