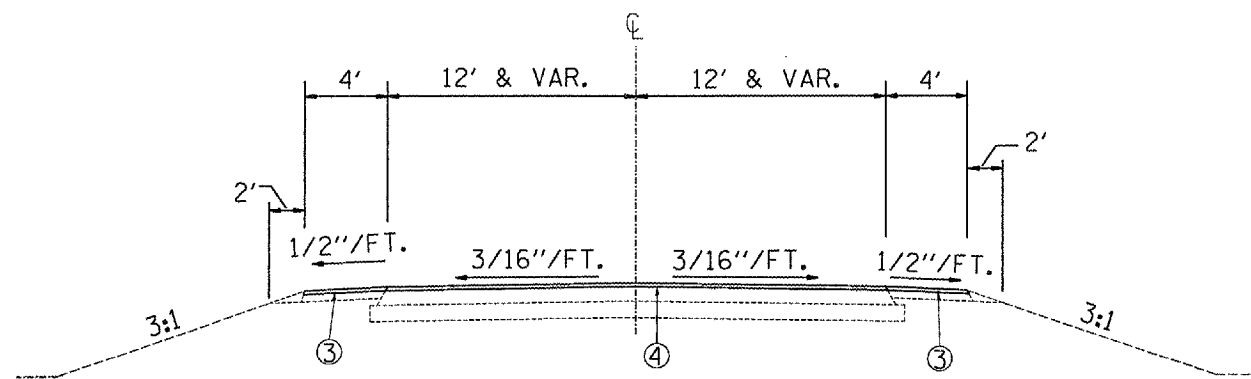


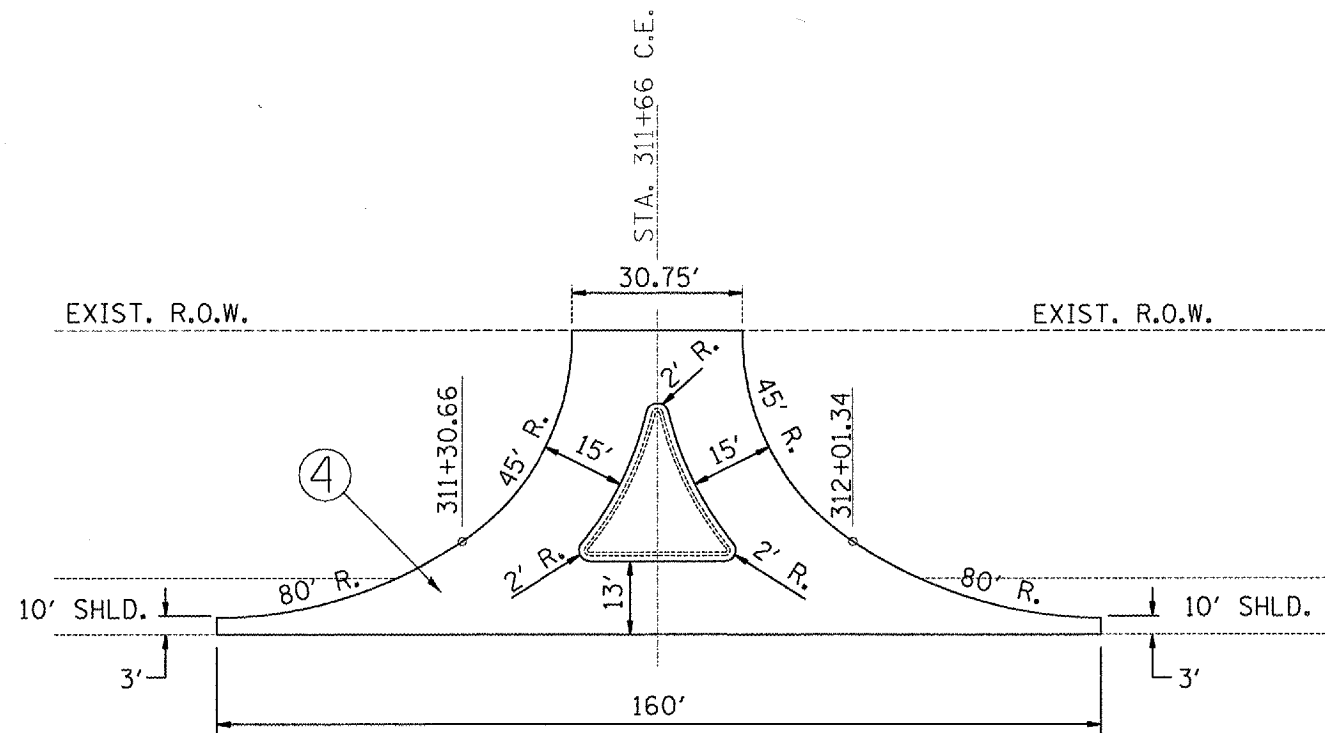
F.A.U. RTE.	SECTION	COUNTY	TOTAL SHEETS	SHEET NO.
*	35RS-5,36RS-8	TAZEWELL	90	33
STA.		TO STA.		
FED. ROAD DIST. NO.		ILLINOIS FED. AID PROJECT		
*6717 (BUS 24) & 6713 (IL 8)				



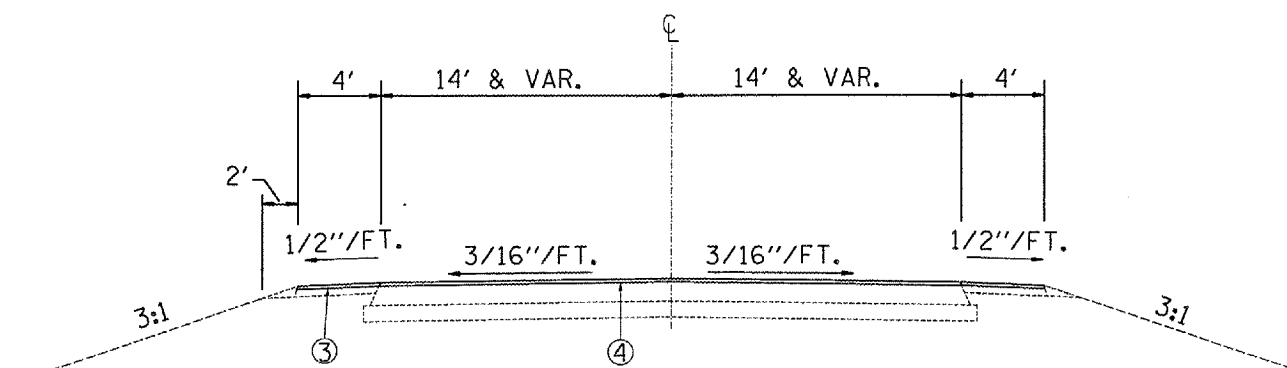
WESTLAKE RD. (LAKESHORE DR.)
STA. 10+12 TO STA. 10+84

PROPOSED LEGEND

- ① POLYMER HMA SC, MIX D, N70, 1 1/2"
- ② LEVELING BINDER (MACHINE METHOD), N50, 3/4"
- ③ HMA SURFACE COURSE, MIX C, N50, 1 1/2"
- ④ INCIDENTAL HMA SURFACING, 1 1/2"
- ⑤ AGGREGATE SHOULDERS, TYPE B



PLAN VIEW
CHERRY TREE SHOPPING CENTER ENTRANCE
LT. STA. 311+66



HIGHWOODS ROAD
STA. 0+74.46 TO 1+45.11

PLOT DATE = 4/4/2007
 PLOT SCALE = 1/8" = 1'-0"
 REFERENCE = #REF#

REVISIONS	
NAME	DATE

ILLINOIS DEPARTMENT OF TRANSPORTATION

**PROPOSED
TYPICAL SECTIONS
SIDEROADS & ENTRANCE**

SCALE: VERT. _____
HORIZ. _____

DRAWN BY _____
CHECKED BY _____