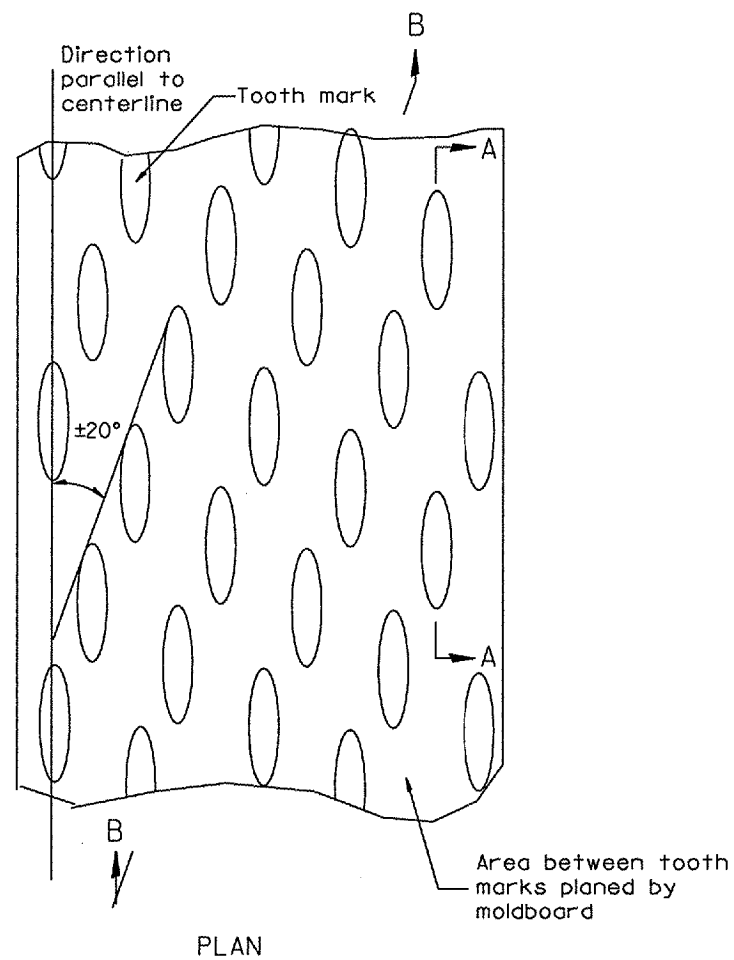
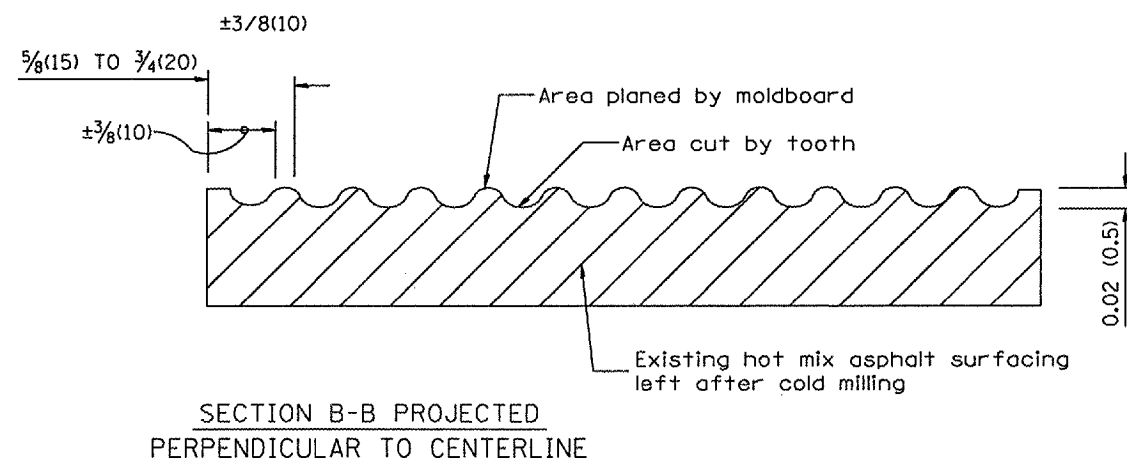
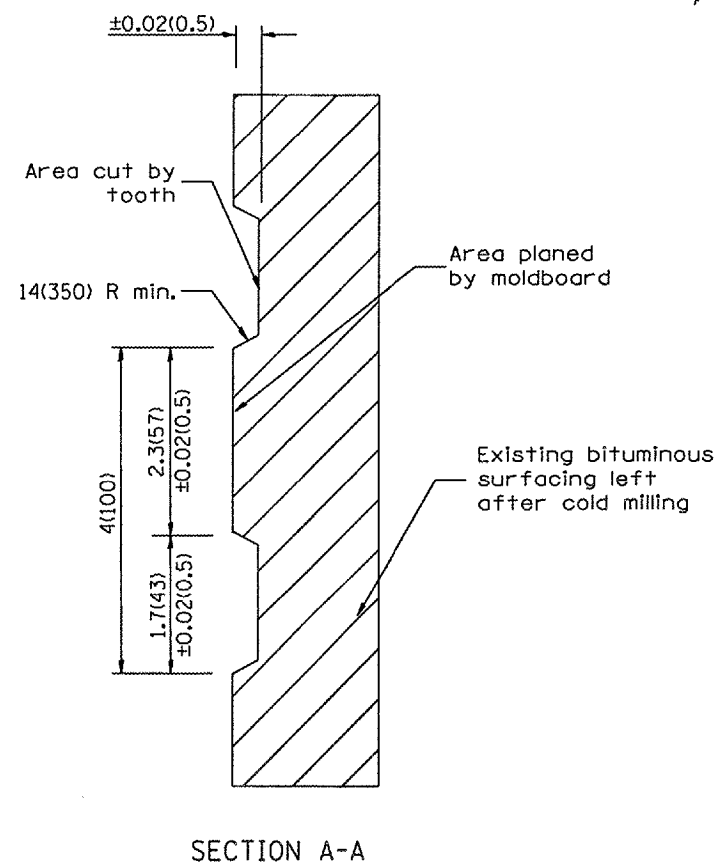


F.A. RTE.	SECTION	COUNTY	TOTAL SHEETS	SHEET NO.
				92
STA.		TO STA.		
FED. ROAD DIST. NO.	ILLINOIS	FED. AID PROJECT		



General notes:

1. Coldmilling shall consist of two processes: Cutting with carbide teeth mounted on a rotating drum, and planing with a moldboard mounted immediately behind the cutting drum.
2. Other similar patterns will be acceptable if they consist of a smooth, flat, planed surface interspersed with a pattern of discontinuous longitudinal striations.



DESIGNER NOTE
1. INCLUDE DISTRICT SPECIAL PROVISION, IF APPLICABLE.

All dimensions are in inches (millimeters) unless otherwise noted.

ILLINOIS DEPARTMENT OF TRANSPORTATION	
DISTRICT CADD STANDARD	
HOT MIX ASPHALT SURFACE REMOVAL (COLD MILLING)	
CADD STD NO. 440001-D4	
SCALE: NOT DRAWN TO SCALE	DRAWN BY CADD
DATE	CHECKED BY

DATE	REVISIONS	BY
1-1-97	RENUM. C-104.01, NEW REVISION BOX	T. P.
4-20-98	REMOVED MILLING DETAIL FROM STD.	J. A.
9-08-98	CORRECT NOTE LEADER PLACEMENT	R. W.
10-16-06	REVISED TO 2007 SPEC.	M.A.