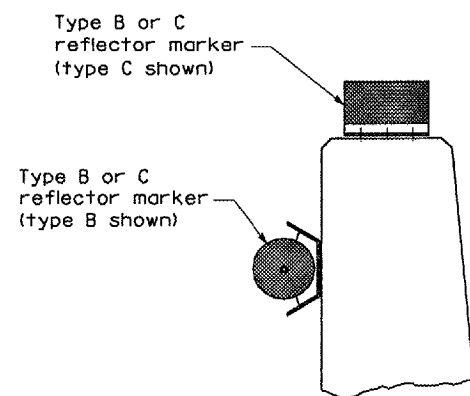
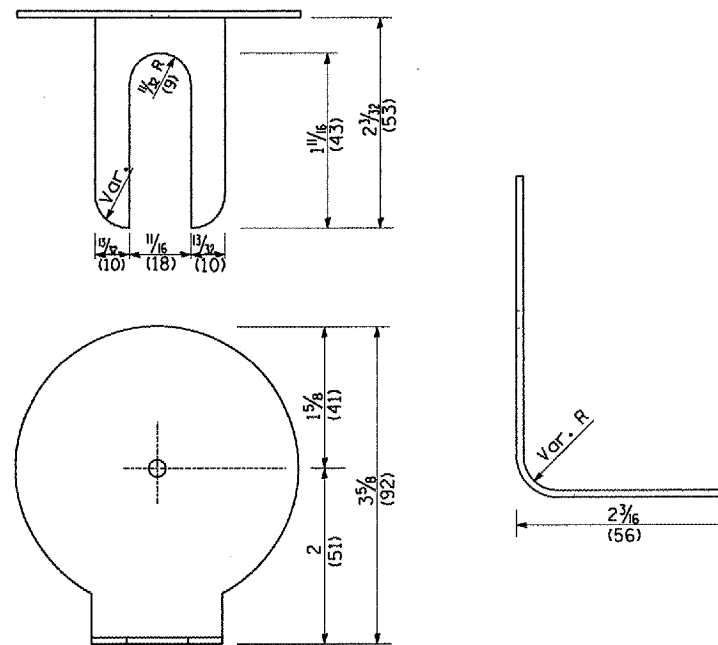


TYPICAL MOUNTING DETAIL FOR BRIDGE RAIL REFLECTOR

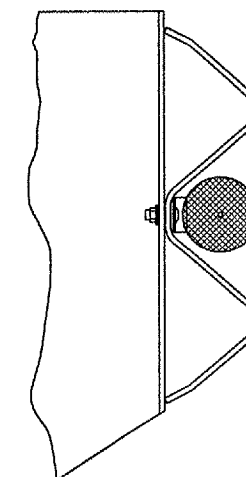


TYPICAL MOUNTING DETAIL FOR BARRIER WALL REFLECTOR

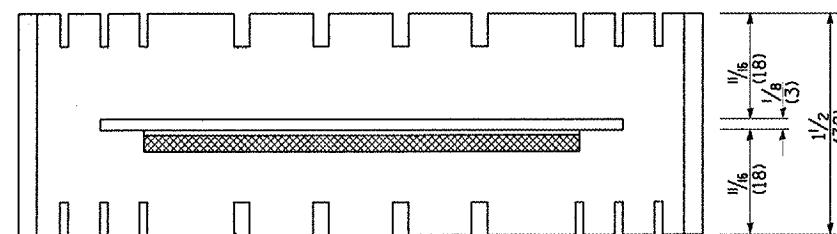
REFLECTOR MOUNTING



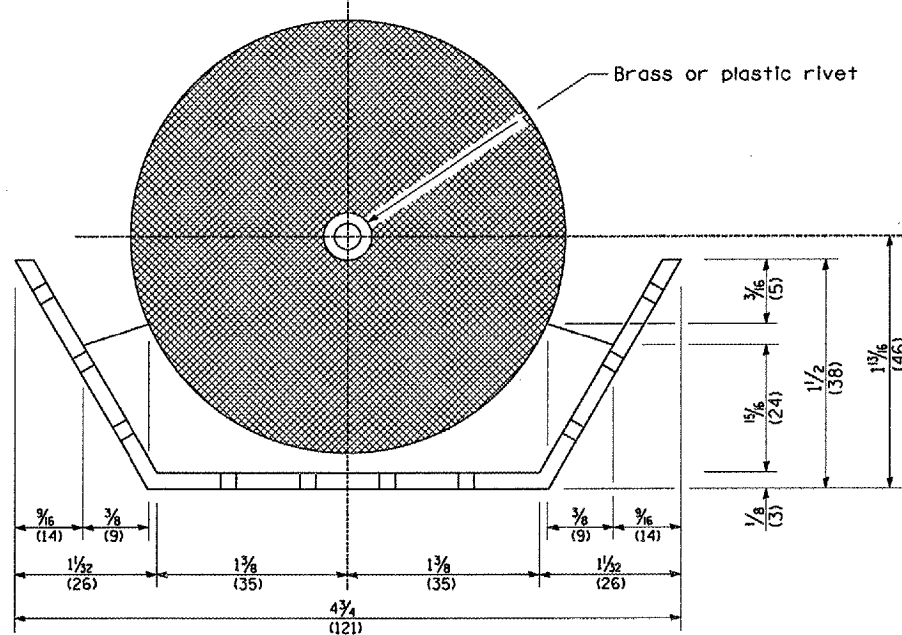
REFLECTOR MARKER TYPE A



TYPICAL GUARDRAIL MOUNTING WITH REFLECTOR MARKER TYPE A

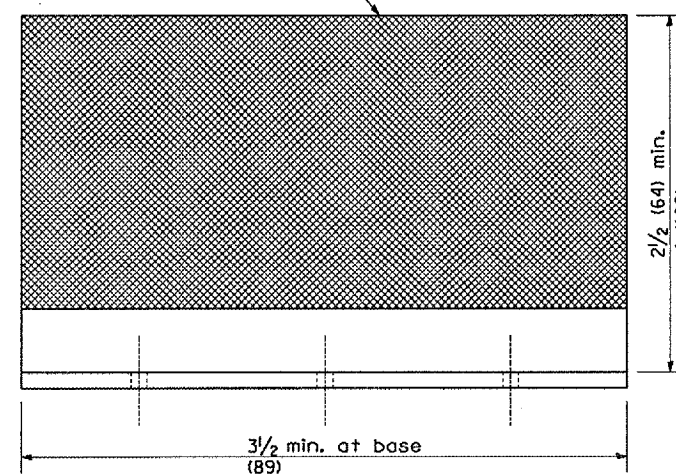


Adhesive weep slots or holes equally spaced on both sides

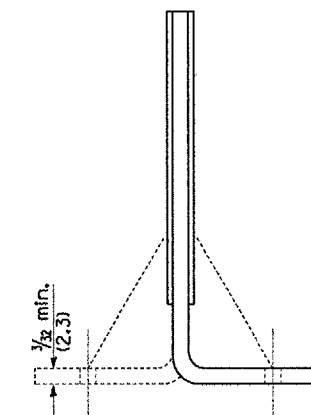


REFLECTOR MARKER TYPE B

Min. reflective area 6 1/2 sq. in. (4,194 mm²) each side. May be rectangular or slight trapezoid.

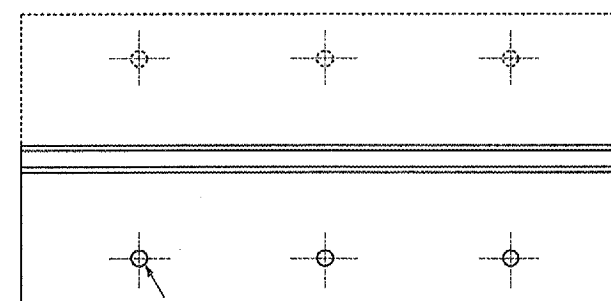


REFLECTOR MARKER TYPE C



Cross section may be "T" or "L" shaped and may have side supports at ends.

REFLECTORS



Minimum total area of base 7.0 Sq. in. (4,516 mm²)

3 min. adhesive weep holes or slots each side, variable spacing.

All dimensions are in inches (millimeters) unless otherwise noted.