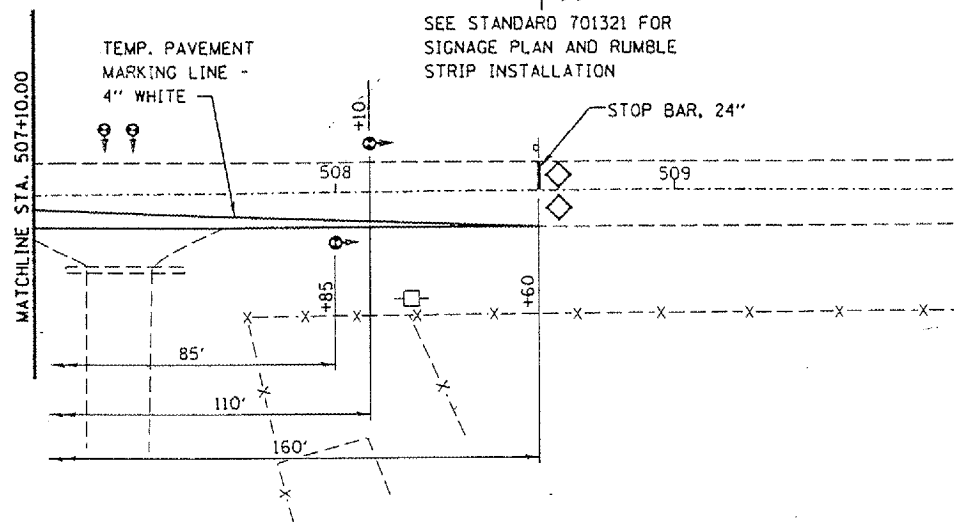
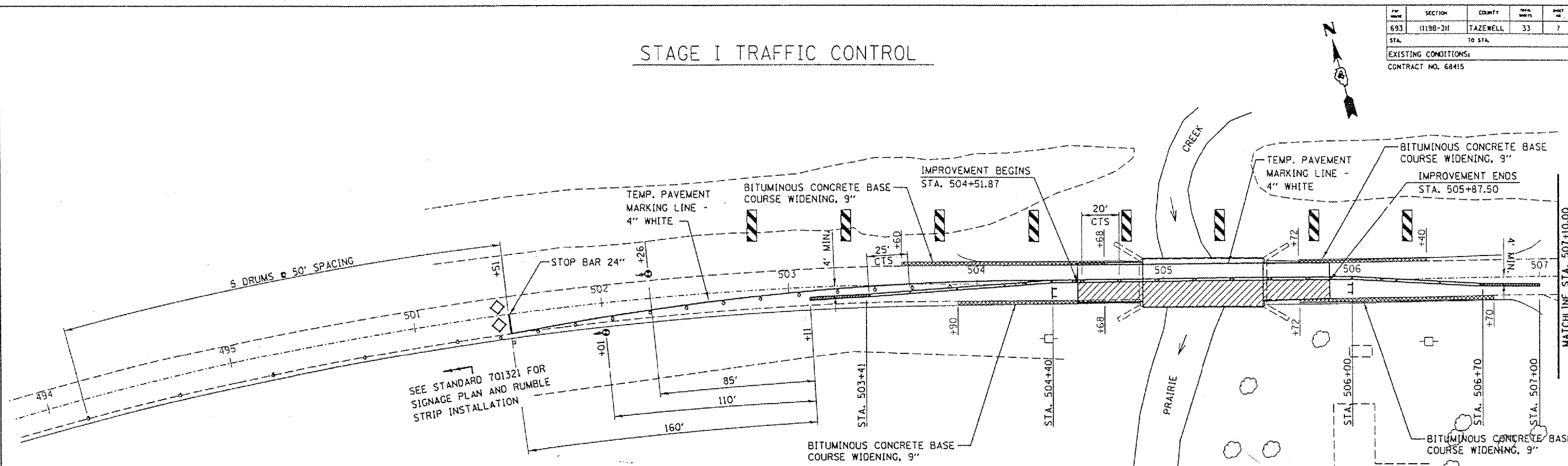


STAGE I TRAFFIC CONTROL

PROJECT NO.	SECTION	COUNTY	TOTAL SHEETS	SHEET NO.
693	(119B-3)I	TAZEWELL	33	7
STA. 494 TO STA. 507+10.00		EXISTING CONDITIONS		
CONTRACT NO. 68415				



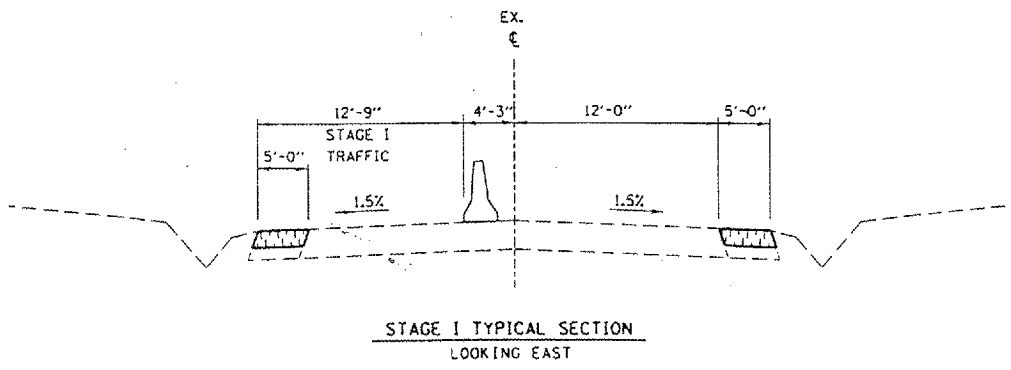
NOTES

PRIOR TO INSTALLING TRAFFIC CONTROL DEVICES FOR STAGING OPERATIONS, CONSTRUCT BITUMINOUS BASE COURSE WIDENING LT USING IDOT TRAFFIC CONTROL PROTECTION STANDARD 701326

TRAFFIC CONTROL SHALL CONFORM TO HIGHWAY STANDARD 701321.

CONTRACTOR TO ADJUST TRAFFIC CONTROL AS NECESSARY TO MAINTAIN ACCESS TO ALL PRIVATE AND FIELD ENTRANCES.

- SYMBOLS**
- DRUM WITH STEADY BURNING LIGHT
 - ⊕ TRAFFIC SIGNAL
 - INDUCTION LOOP DETECTOR
 - ▨ DOUBLE VERTICAL PANEL
 - ◇ TYPE C BIDIRECTIONAL REFLECTOR
 - STEADY BURNING LIGHTS AND DOUBLE VERTICAL PANELS
 - ▭ TEMPORARY CONCRETE BARRIER
 - ▨ IMPACT ATTENUATOR TEMP., (FULLY REDIRECTIVE), TEST LEVEL 2
 - ⊥ TYPE III BARRICADE



REVISIONS	
NAME	DATE

ILLINOIS DEPARTMENT OF TRANSPORTATION
**STAGE I TRAFFIC CONTROL
 STANDARD 701321**

F.A.P. RTE. 693
 SECTION (119B-3)I
 TAZEWELL COUNTY

SCALE: NONE
 DATE: 03/24/2006
 DRAWN BY: XBF
 CHECKED BY: AJE