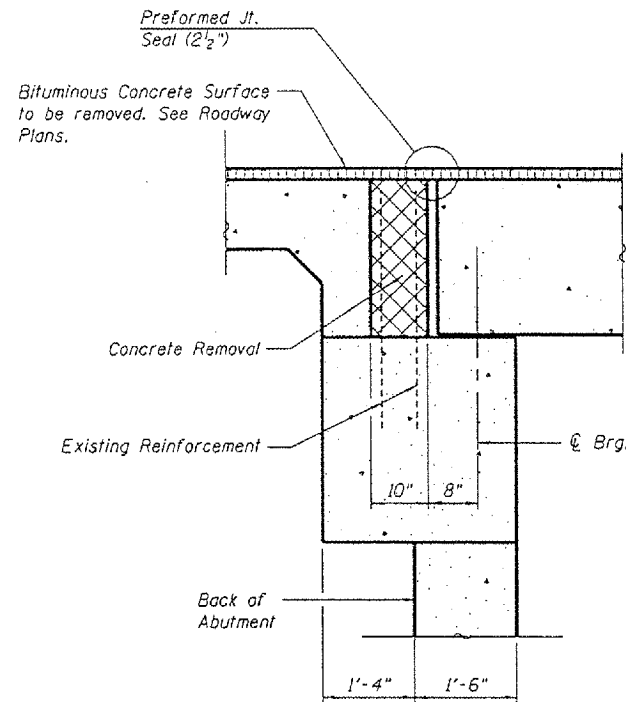


STATE OF ILLINOIS  
DEPARTMENT OF TRANSPORTATION

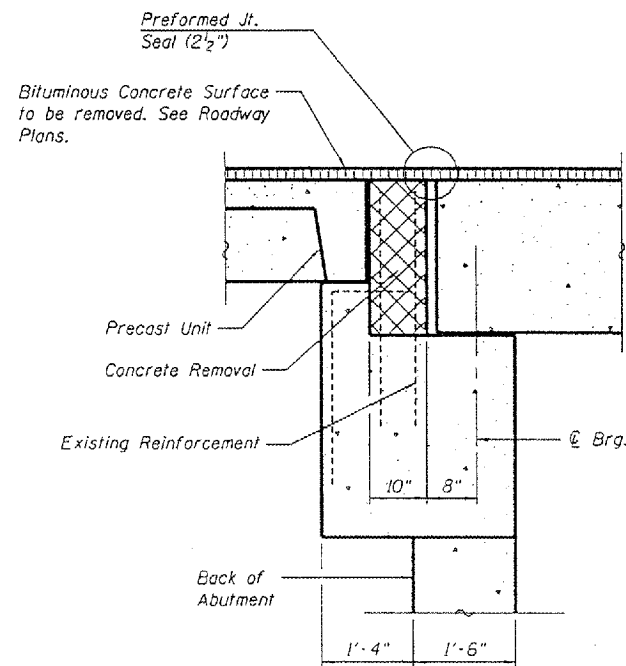
ROUTE NO.	SECTION	COUNTY	SHEET	DATE	SHEET NO. 10
F.A.P. 693	119-BR-3	TAZEWELL	33	19	14 SHEETS
FED. ROAD DIST. NO. 7		ALLIANCE	FED. AID PROJECT		

Contract #68415

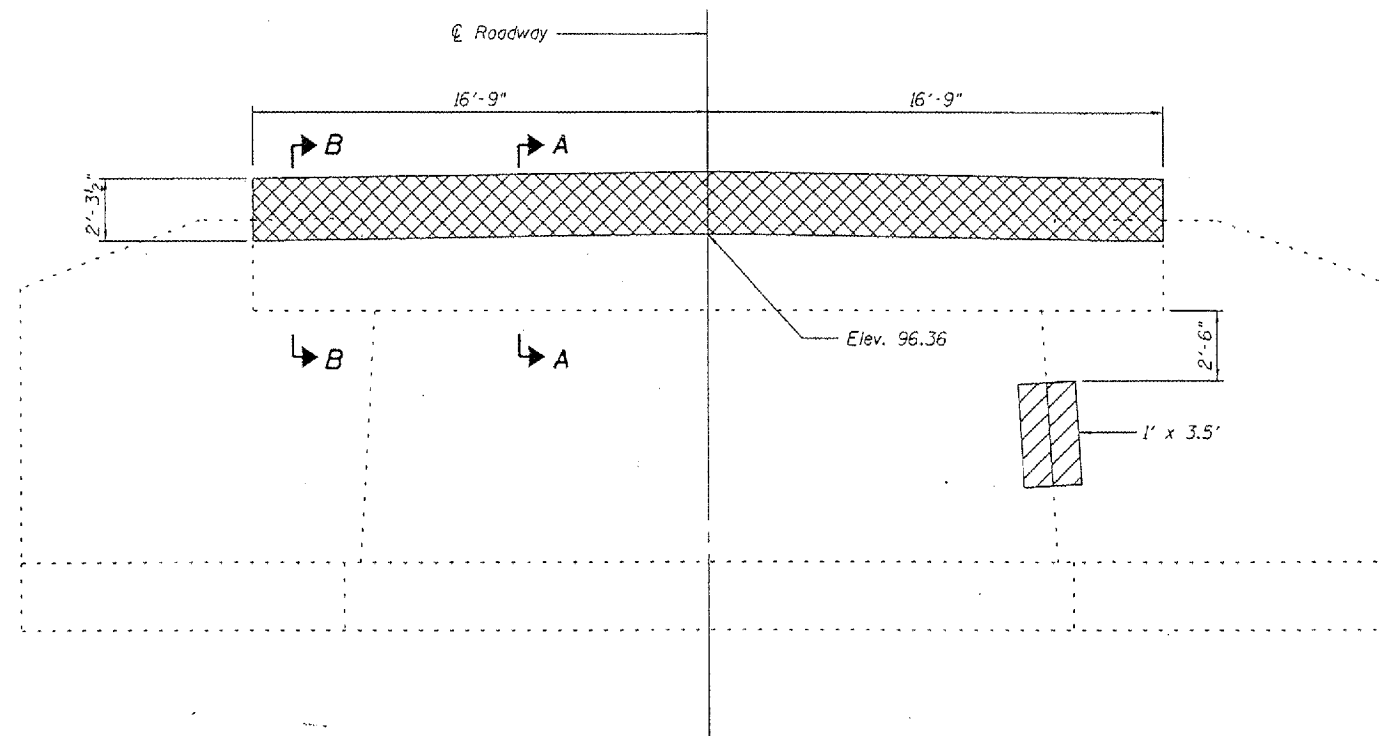
Notes:  
Existing reinforcement extending into removal areas shall be cleaned, straightened, and incorporated into new construction. Cost included with Concrete Removal.



SECTION A-A



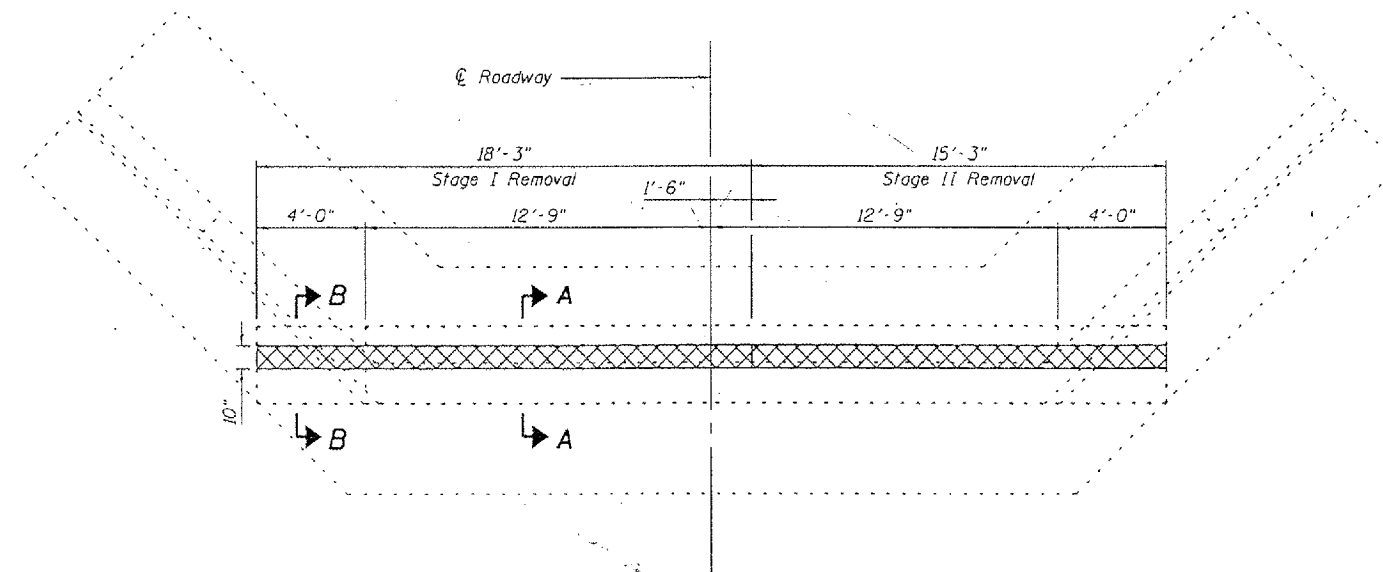
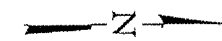
SECTION B-B



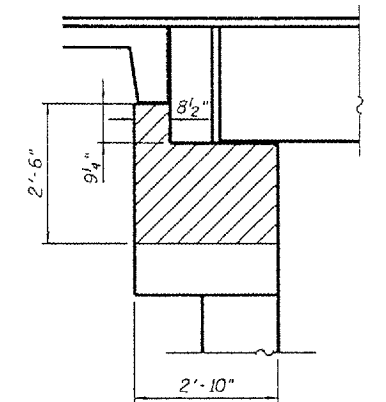
Elevation-West Abutment  
(LOOKING WEST)

LEGEND

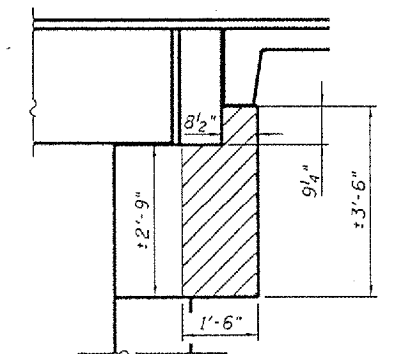
- Concrete Removal
- Structural Repair of Concrete



Plan-West Abutment



ELEVATION-WEST ABUTMENT CAP  
(LOOKING NORTH)



ELEVATION-WEST ABUTMENT CAP  
(LOOKING SOUTH)

BILL OF MATERIAL

ITEM	UNIT	TOTAL
Concrete Removal	Cu. Yd.	2.4
Structural Repair of Concrete (Depth Equal to or Less Than 5")	Sq. Ft.	13.6

WEST ABUTMENT  
CONCRETE REMOVAL AND REPAIR  
ILLINOIS ROUTE 9 OVER  
PRAIRIE CREEK  
F.A.P. ROUTE 693 SECTION (119B-3)I  
TAZEWELL COUNTY  
SN 090-006I

DESIGNED BWP	THOUVENOT, WADE & MOERCHEN, INC.  CORPORATE OFFICE 1940 OLD COLLETSVILLE RD. SPANGOLA, ILLINOIS 62452 TEL: (618) 621-1188 FAX: (618) 621-6688 E-MAIL: CORP@TWMINC.COM
CHECKED KPC	
DRAWN BWP	
CHECKED KPC	