

ROUTE NO.	SECTION	COUNTY	TOTAL SHEETS	SHEET NO.
F.A.P. 693	*	TAZEWELL	33	32
FED. ROAD DIST. NO. 4		ILLINOIS	FED. AID PROJECT	

\* (119B-3)I

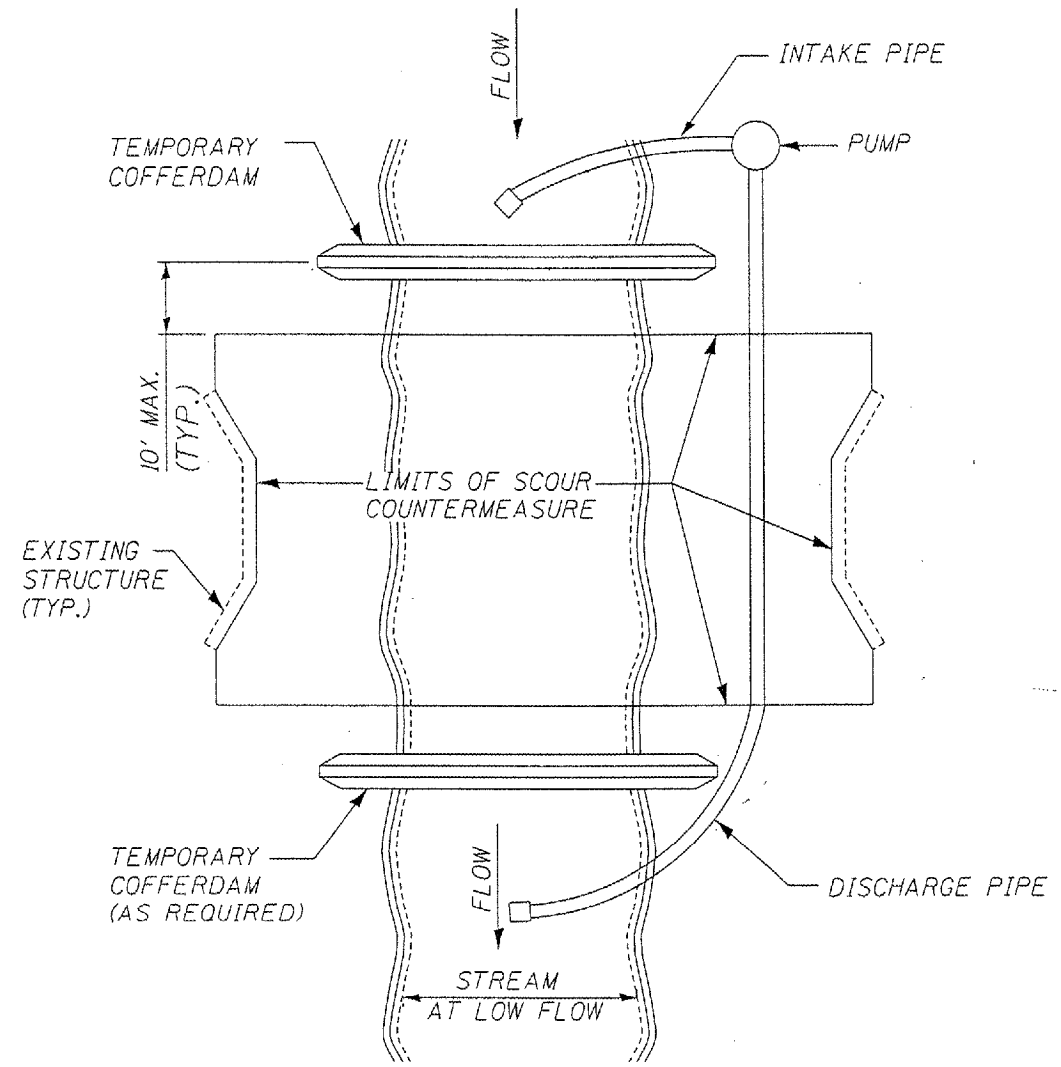


FIGURE D1. TEMPORARY COFFERDAM WITH PUMP BYPASS

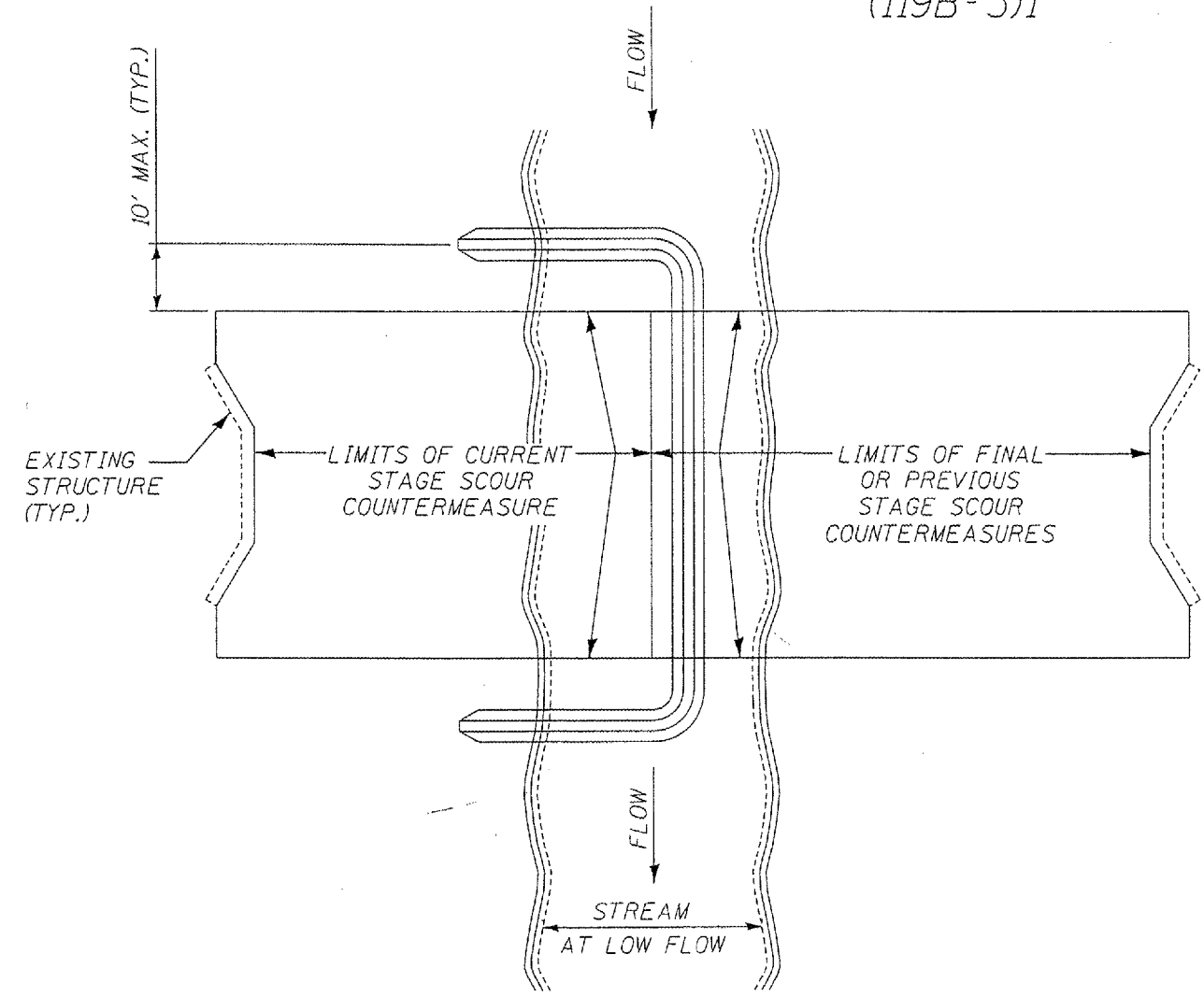


FIGURE D2. STAGED IN-STREAM COFFERDAM DIVISION

NOTE: DEWATERING SYSTEM DETAILS SHALL BE USED IN CONJUNCTION WITH THE PROJECT SPECIAL PROVISIONS.

ILLINOIS DEPARTMENT OF TRANSPORTATION  
 DEWATERING SYSTEM DETAILS  
 S.N. 090-0061  
 IL 9 OVER PRAIRIE CREEK