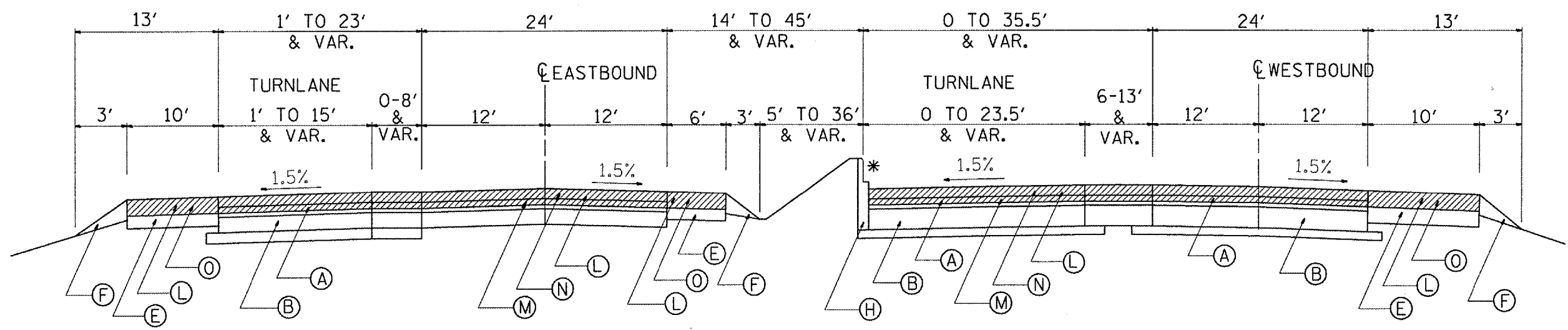


CONTRACT NO. 68456				
F.A.P. RTE.	SECTION	COUNTY	TOTAL SHEETS	SHEET NO.
317	(44,45)RS-5, (46-URS-7 45-(RB, RB-2, BR))	PEORIA	82	28
FED. ROAD DIST. NO.	ILLINOIS	FED. AID PROJECT		



TYPICAL SECTION 4
(U.S. 24)
STA. 443+00 TO STA. 467+75

* STA. 453+85 TO STA. 460+88 CC/G TY. B-9.06

LEGEND

- Ⓐ EXISTING 2 1/2 " AND VARIABLE HMA
- Ⓑ EXISTING P.C.C. PAVEMENT 10".
- Ⓒ EXISTING GUARDRAIL (MEDIAN).
- Ⓓ EXISTING HMA SHOULDER
- Ⓔ EXISTING AGGREGATE SHOULDER
- Ⓕ EXISTING CONCRETE MEDIAN SURF. - 4"
- Ⓖ EXISTING COMB. CONC. CURB & GUTTER

- Ⓚ PROPOSED AGGREGATE SHOULDER TYPE B
- Ⓛ PROPOSED 1/2 " HMA SURFACE REMOVAL (HATCHED AREA)
- Ⓜ PROPOSED 2 1/4 " HMA SURFACE REMOVAL (HATCHED AREA)
- Ⓝ PROPOSED 3/4" LEVELING BINDER MACHINE METHOD
- Ⓞ PROPOSED 1 1/2 " HMA SURFACE COURSE
- Ⓟ PROPOSED 2 1/4 " HMA SHOULDER
- Ⓠ PROPOSED 1 3/4 " HMA SHOULDER

ILLINOIS DEPARTMENT OF TRANSPORTATION

PROPOSED TYPICAL SECTIONS - US 24

DATE: 02-10-06 DRAWN BY: DBB CHECKED BY: CEM

PLOT DATE: 02-02-06
 FILE NAME: Mh-Typical Sections.dwg